

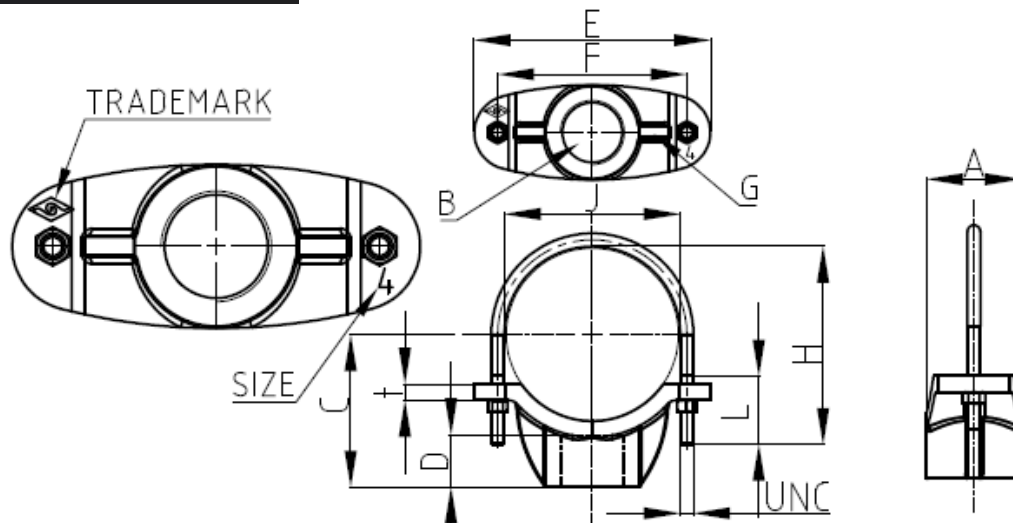


PIPE SADDLE SUPPORT NFE



Pipe Saddle Support with U-Bolt

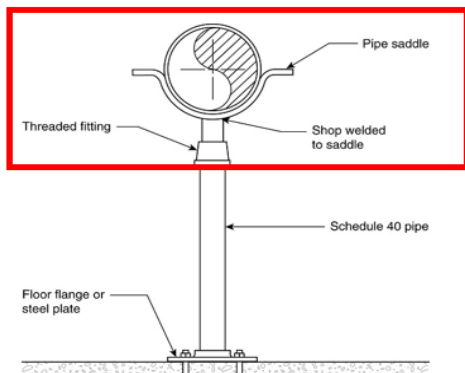
- Cast iron stanchion saddle with steel yoke and nuts.
- Stanchion type support with additional stability provided by U-bolt attachment to pipe.
- Available in 4", 6", 8" and 10" c/w 2" female NPT outlet.
- Part #: PSS4020 (4"), PSS6020 (6"), PSS8020 (8") PSS10020 (10").



SIZE	A	B	C	D	E	F	G	t	H	J	L	UNC
4	92.1	2-11.5NPT	116.5	29	170	127	8	10	140	114.3	60	1/2-13UNC
6	92.1	2-11.5NPT	148	29	230	184.2	12	15.7	185	171.5	60	1/2-13UNC
8	92.1	2-11.5NPT	180	29	300	235	18	18	226	222.3	70	1/2-13UNC
10	92.1	2-11.5NPT	215	29	390	306	24	24	280	275	90	1/2-13UNC

NOTE:

1. Surface of the castings should be smooth, without any hole spores and visual defectives.
2. Thread according to ASME B1. 20, 1;
3. Casting tolerances according to ISO 8062 CT9



NFPA 13, Section 17.5 header pipe stands. These stands meet the requirements of NFPA 13, they must however be installed as per section 17.5.