

Security Door Pulls



300012
Knob Pull
US26D Finish

300021
Grip Pull
US26D Finish

300011
Flush Cup Pull
US26D Finish

300011-C and 300011-B

Cast flush brass cup pull serves to limit hand purchase, which could be used to block or hold closed a door. The 300011-C is employed typically on the inmate side of a cell door and attaches to reinforcement strips built into the door. The 300011-B provides back-to-back mounting for two side flush cup pull applications. Available in satin brass (US4, ANSI 606) and satin chrome (US26D, ANSI 626) finishes.

300012

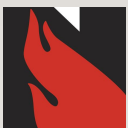
Solid brass knob pull used as "dummy" trim. Available in satin brass (US4, ANSI 606) and satin chrome (US26D, ANSI 626) finishes. Mounts to reinforcement strips built into the door.

300021

Cast stainless steel grip pull in satin finish (US32D, ANSI 630). Typically used on the corridor side of a cell door and on both sides of corridor connection and access doors.

Note:

- Security fasteners are provided with pulls.
- Plate mounted pulls and push plates available by special order.



National Fire
Equipment Ltd.

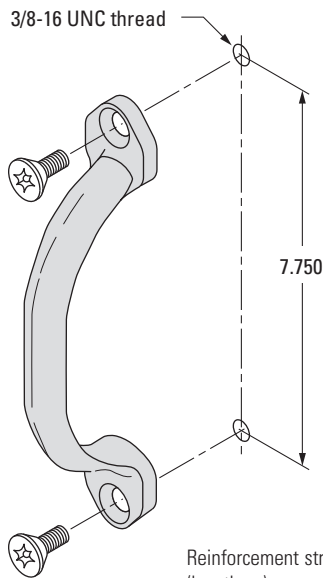
40 Edilcan Drive
Concord Ontario, L4K 3S6
Phone: (905) 761-6355

Security Door Pulls

For swinging inmate room doors in a detention facility, RR Brink recommends the combination of the 300021 and the 300011-C for limited

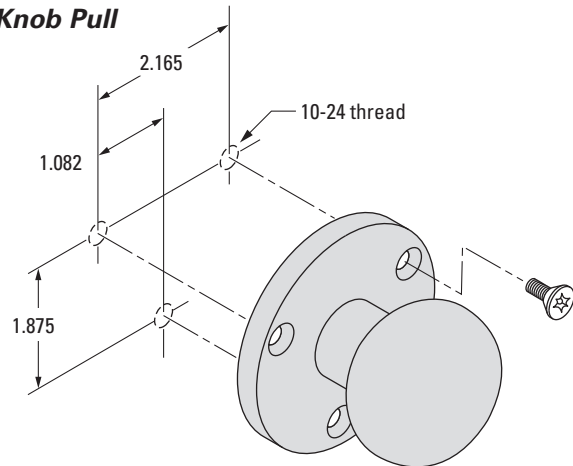
leverage on room-side pull or the 300011-B for limited leverage on both sides.

**300021
Grip Pull**



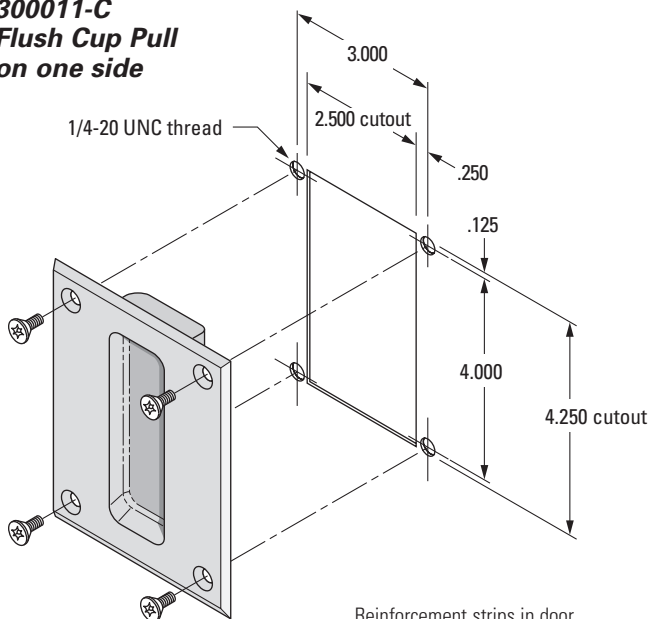
Reinforcement strips in door (by others) are required.

**300012
Knob Pull**



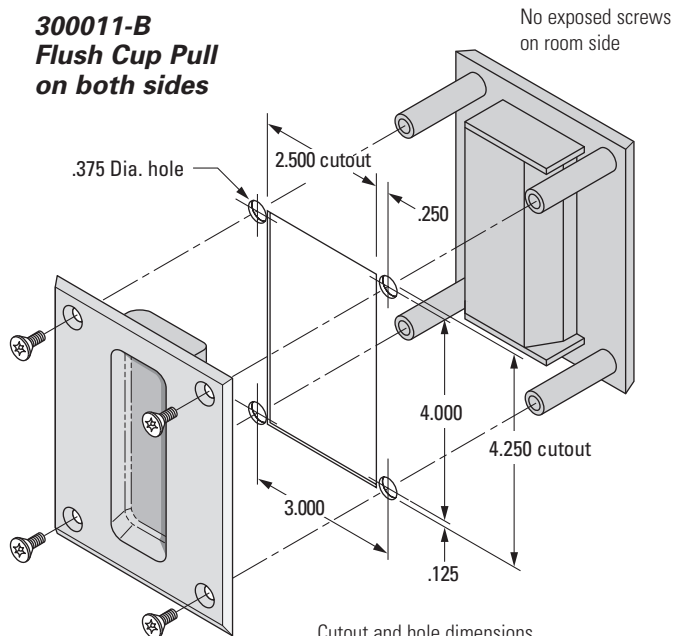
Reinforcement strips in door (by others) are required.

**300011-C
Flush Cup Pull
on one side**



Reinforcement strips in door (by others) are required.

**300011-B
Flush Cup Pull
on both sides**



Cutout and hole dimensions are through door thickness.



National Fire
Equipment Ltd.

40 Edilcan Drive
Concord Ontario, L4K 3S6
Phone: (905) 761-6355

Note: The above illustrations are for information only. Do not use for construction. Consult R.R. Brink Technical Service Personnel for templates