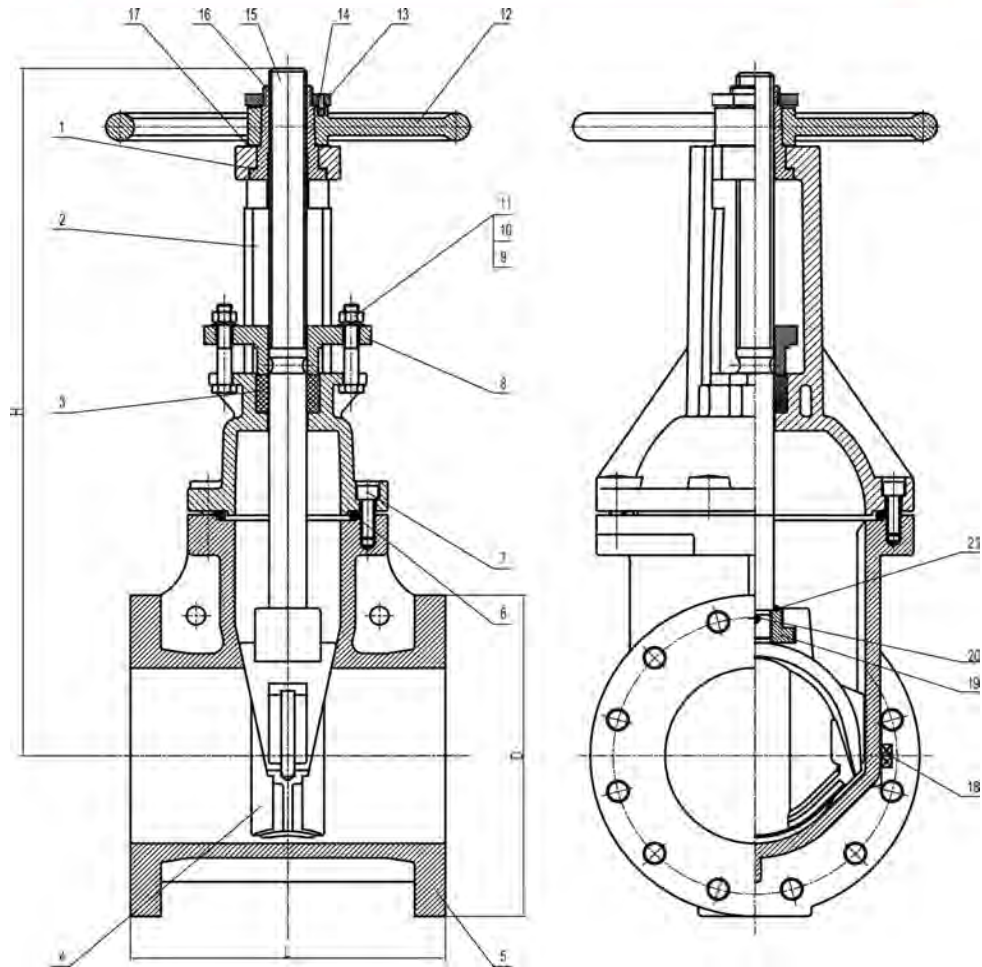




# National Fire Equipment Ltd.

## Model OSYF O.S.Y. Gate Valve 2.5" - 12" (300PSI)



Dimension Chart in mm

SIZE	2.5"	3"	4"	5"	6"	8"	10"	12"
DN	65	80	100	125	150	200	250	300
L	190	203	229	254	267	292	330	256
D	178	191	229	254	279	343	406	483
H	370	420	447	547	607	754	890	1031

All valves are UL/ULC and F.M. approved.

21	Sea ling Ring	1	EPDM	GB/T 3452.1-2005
20	Pin	1	S.S304	GB 119.1-2000
19	Lifting Nut	1	CF8/CF8M/C954	
18	Plug 3/4"	2	STEEL/S.S304/C95400	
17	Gasket	1	C95400/S.S304	
16	Stem Nut	1	C95400	
15	Stem	1	C95400/S.S304	
14	Locating Screw	1	S.S304/STEEL	GB/T 72-1988
13	Lock Nut	1	C95400	
12	Handwheel	1	DI	
11	Bolt	1	Steel/S.S304	GB/T 5782-2000
10	Flat Washer	1	Steel/S.S304	GB/T 95-2002
9	Nut	1	Steel/S.S304	GB/T 6170-2000
8	Gland	1	DI	
7	Blot	m	Steel/S.S304	GB/T 70.1-2000
6	Sea ling Ring	1	EPDM	
5	Body	1	DI	
4	Disc	1	EPDM+DI	
3	Packing	3	Graphite	
2	Bonnet	1	DI	
1	Gasket	1	C95400/S.S304	
NO.	Name	QTY.	Material	Remark

PART NO.	VALVE SIZE	CV(FULL OPEN)	No.	Description	Weight (KG)
OSYF250	2.5"	350	OSYF250	GATE VLV OS&Y 2.5" FLANGE	21
OSYF300	3"	660	OSYF300	GATE VLV OS&Y 3" FLANGE	27.4
OSYF400	4"	1000	OSYF400	GATE VLV OS&Y 4" FLANGE	34.5
OSYF500	5"	1425	OSYF600	GATE VLV OS&Y 6" FLANGE	59.2
OSYF600	6"	2300	OSYF800	GATE VLV OS&Y 8" FLANGE	96.2
OSYF800	8"	4115	OSYF100	GATE VLV OS&Y 10" FLANGE	142
OSYF100	10"	6500			
OSYF120	12"	8524			

WORKING PRESSURE:  
300PSI (2.5" - 12")

WORKING TEMPERATURE:  
0°C - 80°C (32°F - 176°F)

### Design and Technical Specifications

1. Design Standard: AWWA515
2. Working Pressure: 175, 200, 250, 300PSI
3. Flange Standard: ASME/ ANSI B16, 1 Class 125 or GB/T9113. 1;
4. Face to Face Standard: ASME B16. 10;
5. Electrostatic Spraying both inside and outside the body

Meets the requirements of NSF/ANSI Standard 61



National Fire  
Equipment Ltd.

TORONTO: (905) 761-6355  
Toll Free: (800) 267-8508

OTTAWA: (613) 723-6071

VANCOUVER: (604) 420-1131  
Toll Free: (800)-667-2138

BURNABY: (604)-299-4498

EDMONTON: (780) 455-3870  
Toll Free: (888)-891-1008

CALGARY: (403) 236-5661

MONCTON: (506) 859-7277  
Toll Free: (877) 816-3473

MISSISSAUGA: (905) 565-1388

www.nationalfire.com

09072022