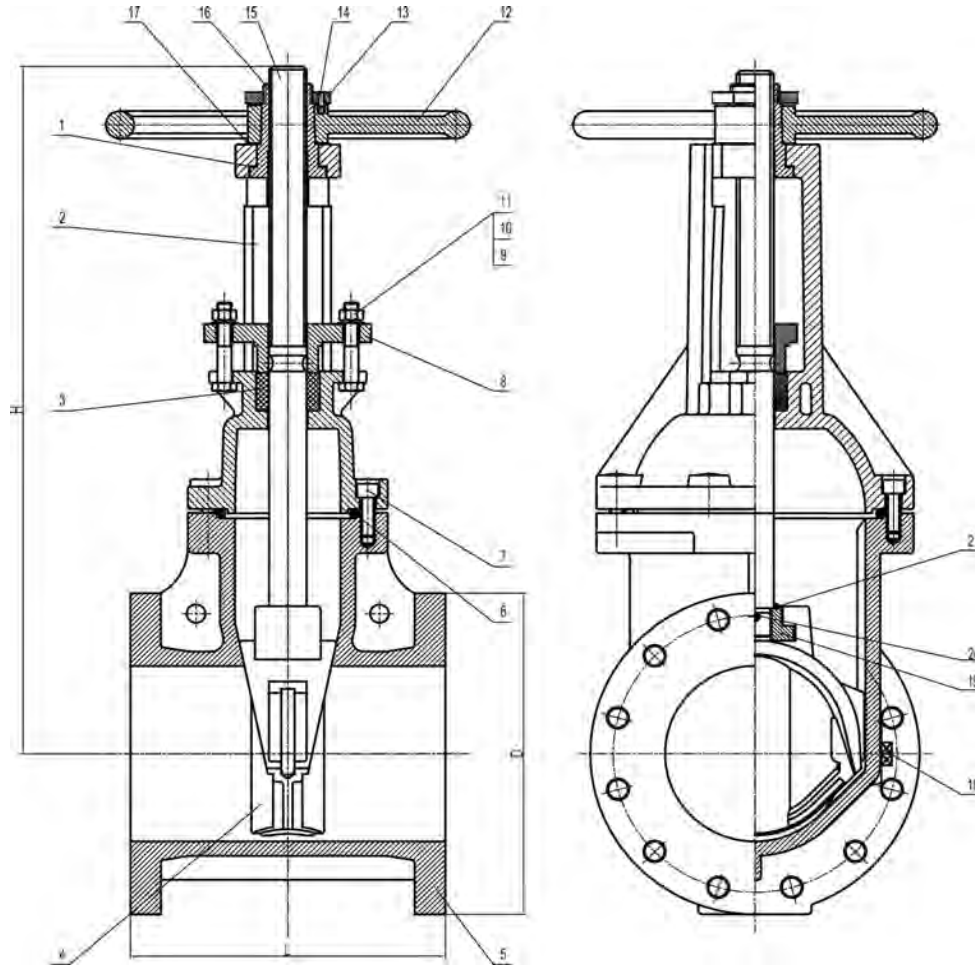




Model OSYF O.S.Y. Gate Valve 2.5" - 12" (300PSI)



Dimension Chart in mm

SIZE	2.5"	3"	4"	6"	8"	10"	12"
DN	65	80	100	150	200	250	300
L	190	203	229	267	292	330	256
D	178	191	229	279	343	406	483
H	370	420	447	607	754	890	1031

All valves are UL/ULC and F.M. approved.

21	Sea ling Ring	1	EPDM	GB/T 3452.1-2005
20	Pin	1	S.S304	GB 119.1-2000
19	Lifting Nut	1	CF8/CF8M/C954	
18	Plug 3/4"	2	STEEL/S.S304/C95400	
17	Gasket	1	C95400/S.S304	
16	Stem Nut	1	C95400	
15	Stem	1	C95400/S.S304	
14	Locating Screw	1	S.S304/STEEL	GB/T 72-1988
13	Lock Nut	1	C95400	
12	Handwheel	1	DI	
11	Bolt	1	Steel/S.S304	GB/T 5782-2000
10	Flat Washer	1	Steel/S.S304	GB/T 95-2002
9	Nut	1	Steel/S.S304	GB/T 6170-2000
8	Gland	1	DI	
7	Blot	m	Steel/S.S304	GB/T 70.1-2000
6	Sea ling Ring	1	EPDM	
5	Body	1	DI	
4	Disc	1	EPDM+DI	
3	Packing	3	Graphite	
2	Bonnet	1	DI	
1	Gasket	1	C95400/S.S304	
NO.	Name	QTY.	Material	Remark

Meets the requirements of NSF/ANSI Standard 61

PART NO.	VALVE SIZE	CV(FULL OPEN)
OSYF250	2.5"	350
OSYF300	3"	660
OSYF400	4"	1000
OSYF600	6"	2300
OSYF800	8"	41 15
OSYF100	10"	6500
OSYF120	12"	8524

No.	Description	Weight (KG)
OSYF250	GATE VLV OS&Y 2.5" FLANGE	21
OSYF300	GATE VLV OS&Y 3" FLANGE	27.4
OSYF400	GATE VLV OS&Y 4" FLANGE	34.5
OSYF600	GATE VLV OS&Y 6" FLANGE	59.2
OSYF800	GATE VLV OS&Y 8" FLANGE	96.2
OSYF100	GATE VLV OS&Y 10" FLANGE	142

WORKING PRESSURE:
300PSI (2.5" - 12")

WORKING TEMPERATURE:
0°C - 80°C (32°F - 176°F)

Design and Technical Specifications

1. Design Standard: AWWA515
2. Working Pressure: 175, 200, 250, 300PSI
3. Flange Standard: ASME/ ANSI B16, 1 Class 125 or GB/T9113. 1;
4. Face to Face Standard: ASME B16. 10;
5. Electrostatic Spraying both inside and outside the body

UL/ULC certificate number EX15667. FM approval identification number 0003038302.

05062026