

120V AC Integrated 3-in-1 LED Strobe and 10-year Talking Smoke & CO Alarm

Part Number **P4010ACLEDSOCA** Model **P4010ACLEDSOCA**
10-Year Limited Warranty

Low Profile Bright 177 Candela Strobe Light powered by Cree® LEDs

Synchronized Flash Rates

- Strobe flashes will synchronize with P4010ACLEDSOCA's and other P4010ACLEDSOCA's

120V AC Direct Wire

- Interconnects with up to 24 devices

10-year Sealed Lithium Battery Backup (on Smoke and Carbon Monoxide Alarm)

Voice Warning

Hush® / Test Button

Stainless Steel Bug Screen



Description

The Kidde P4010ACLEDSOCA is an integrated 120V AC wire-in smoke and carbon monoxide alarm with 10-year sealed battery backup and LED strobe light that provides temporal patterns, visual and voice warnings. The model P4010ACLEDSOCA is equipped with a 177 candela strobe light (powered by Cree® LEDs), designed to notify the deaf and hard of hearing. The unique design measures only 5.8cm (2.3") in height, when mounted.

The P4010ACLEDSOCA will produce a steady flash warning (once per second) if smoke is detected, and sound 3 long beeps, followed by "Fire! Feu!," repeating. If carbon monoxide is detected, the LED strobe will flash 4 times, go off for 5 seconds, repeating, in time with beeps, followed by "Warning! Carbon Monoxide! Monoxyde de carbone!".

In an alarm condition, strobe flashes will synchronize with other interconnected P4010ACLEDSOCA and/or P4010ACLEDSOCA alarms.

The P4010ACLEDSOCA is cUL Listed and has a 10-year limited warranty.

Features and Benefits

- **Integrated Photoelectric Smoke Alarm, Carbon Monoxide Alarm and LED Strobe Light** – A single unit can be installed, where previously a separate smoke alarm, separate carbon monoxide alarm and separate strobe light were needed. It requires only one electrical box, reducing labour costs and installation time. No relay required.
- **Low Profile Bright 177 Candela Strobe Light powered by Cree LEDs** – Light level proven effective in warning those with hearing loss. Attractive low profile design.
- **Synchronized Flash Rates** – Strobe flashes will automatically synchronize (flash at the same time) with other interconnected P4010ACLEDSOCA's and/or P4010ACLEDSOCA's, in an alarm condition. Note: Will not synchronize during test mode.
- **120V Interconnectable with 10-year Sealed Lithium Battery Backup (on Smoke Alarm)** – Will interconnect with up to 24 other Kidde devices. Battery backup provides 10 years of continuous protection. Note: battery backup will only power the smoke and CO alarm.
- **Voice Warning** – Announces "Fire! Feu!" or "Warning! Carbon Monoxide! Monoxyde de Carbone!".
- **Multi-function One Button Strobe Dome includes:**
 - **Hush® Feature** – Temporarily silences nuisance alarms for approximately 9 minutes (smoke must be present before Hush® is activated).
 - **Test Feature** – Simultaneously tests the unit's electronics and verifies alarm operation.

SIGNALISATION
SIGNALLING



LISTED
HOMOLOGUÉ

CSA 6.19-01

Architectural and Engineering Specifications

The integrated smoke/CO/strobe alarm shall be Kidde model P4010ACLEDSOCA. It shall be powered by a regulated 120VAC, 60 Hz source with a maximum operating RMS current of 863ma. A sealed 3V lithium battery provides backup power for the smoke and carbon monoxide alarm only. The temperature operating range shall be between 4.4°C (40°F) to 37.8°C (100°F) and the humidity operating range shall be 10% to 95% relative humidity, non-condensing. The unit shall incorporate a photoelectric smoke sensor with nominal sensitivity of 2.32 ± 1.35 %/ft OBS. The CO sensor shall be of a fuel cell design and shall meet the sensitivity requirements of CAN/CSA 6.19-01 - Residential carbon monoxide alarming devices.

The integrated smoke/CO/strobe alarm can be installed on any standard single gang electrical box or a 4" octagon junction box. The electrical connection (to the alarm) shall be made with a plug-in connector. A maximum of 24 Kidde devices can be interconnected in a multiple station arrangement. The interconnect system must not exceed the limit of 18 initiating devices, of which 12 can be smoke alarms. With 18 initiating devices (smoke, heat, CO, etc), interconnected, it is still possible to interconnect 6 standalone strobes (SLED177iCA's) and/or relay modules.

The unit shall incorporate a green LED indicator, that when illuminated, indicates the presence of AC power and blinks every 60 seconds when powered by the backup battery.

The P4010ACLEDSOCA shall include a bright 177 candela strobe light comprised of 10 Cree® LEDs, with a flash rate of one (1) flash per second during smoke alarm, and 4 flashes every 5 seconds during CO alarm. This unit shall be interconnected with Kidde smoke alarms, heat detectors and/or carbon monoxide alarms. This unit shall automatically synchronize (flash at the same time) with other P4010ACLEDSOCA and/or P4010ACLEDSOCA strobes that are part of the interconnected system. Synchronization can take up to 20 seconds when in alarm. Note: The alarms shall not synchronize during a push to test.

The alarm shall include a test feature that will electronically simulate the presence of smoke and CO and briefly cause the unit to go into alarm, when the strobe dome is pressed. This sequence tests the unit's electronics to ensure proper operation.

The unit shall also include a Hush® feature that silences the unit for approximately 9 minutes, when the strobe dome is pressed on the initiating alarm, during a nuisance alarm condition or when the smoke is not too dense. The Green LEDs on the alarm will flash every 2 seconds while in Hush® and the unit will automatically reset itself. It also provides voice annunciation of "Hush Mode Activated. Mode Hush activé." when Hush® is activated and "Hush Mode Cancelled. Mode Hush annulé." when the Hush cycle ends.

In addition to visual flash and LED notifications, this alarm shall have two methods of audible warnings for danger: a piezoelectric horn that is rated at 85 decibels at 10 feet and a voice warning that identifies the danger.

If smoke is detected, the horn will sound three (3) long beeps in time with red LED flashes, followed by "Fire! Feu!". This pattern is repeated until the smoke is eliminated. The strobe will flash once per second. If CO is detected, the horn will sound four (4) short beeps in time with red LED flashes, followed by "Warning! Carbon Monoxide! Monoxyde de carbone!", repeating every 5 seconds. The strobe will flash 4 times every 5 seconds. This continues until the CO is eliminated.

The CO sensor will not alarm to levels of CO below 30 ppm and will alarm in the following time range when exposed to the corresponding levels of CO:

70 ppm CO Concentration	60 – 240 minutes
150 ppm CO Concentration	10 – 50 minutes
400 ppm CO Concentration	4 – 15 minutes

The unit shall at a minimum meet the requirements of CAN/ULC-S531, CSA-6.19-01 and conform to the light dispersion requirements of CAN/ULC-S526. It also shall include a 10-year manufacturer's limited warranty.

Cree® is a registered trademark of Cree, Inc.

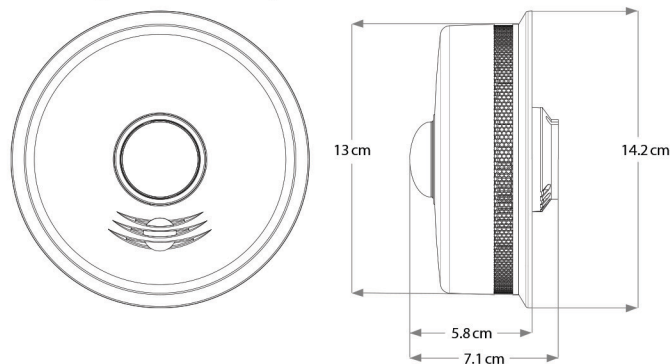
Ordering Information

UPC: 0-47871-26952-5

Part Number	12 of 5	Pack Quantity	Case Dimensions (w x d x h centimeters)	Case Weight	Case/Skid
P4010ACLEDSOCA	100-47871-26952-2	3 units	16.2 cm x 27.2 cm x 15.1 cm	1.5 kg	168

Technical Specifications

Power Source:	120V AC, 60Hz, 863 mA max, sealed 3V lithium battery backup (on smoke and carbon monoxide alarm only)
Sensor:	Smoke: Photoelectric, CO: Electrochemical
Flash Rate:	Smoke: 1/sec CO: 4 times every 5 sec
Light Output:	177 candela minimum
Temperature Range:	4.4°C (40°F) to 37.8°C (100°F)
Humidity Range:	10% to 95% relative humidity, non-condensing
Size:	13 cm in diameter x 7.1 cm height (5.8 cm height, when mounted)
Weight:	0.4 kg
Wiring:	Quick connect plug with 6" pigtail
Interconnects:	Up to 24 Kidde devices (of which 18 can be initiating)
Warranty:	10-year limited



Installation of Alarm

The strobe light should be installed to comply with all local codes having jurisdiction in your area. Make certain all alarms are wired to a single, continuous (non-switched) power line, which is not protected by a ground fault interrupter. A maximum of 305 m (1000') of wire can be used in the interconnect system. Use standard CSA listed household wire as required by code. Note: After AC power is applied, rotate the unit onto the mounting plate to activate the battery within 30 seconds to eliminate the "Low Battery" alarm.

