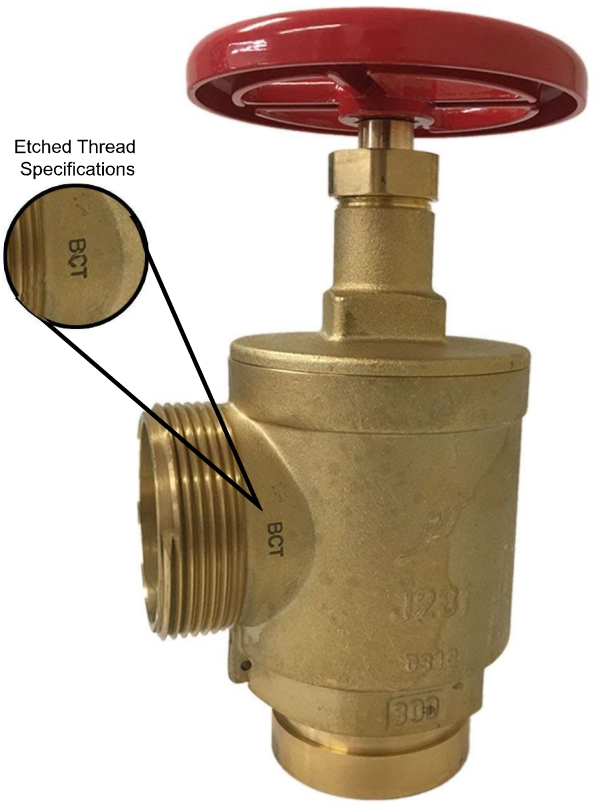
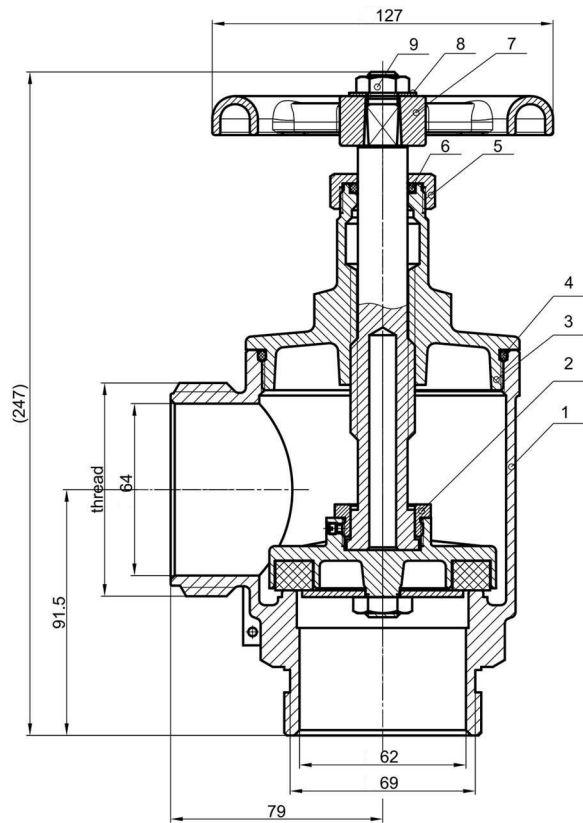




National Fire Equipment Ltd.

NFE Model 25-G 2-1/2" Grooved Angle Hose Valve

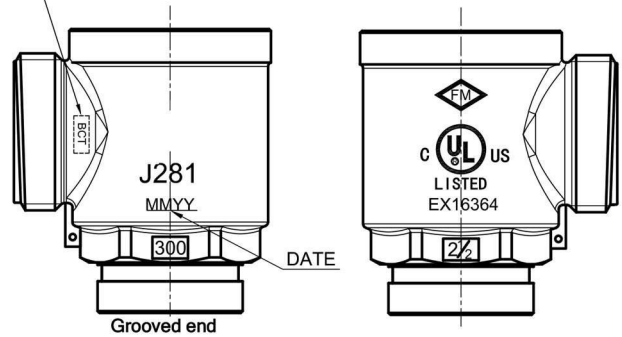


Part No.	Thread	Surface Treatment	Laser
25BB-G	BCT3.000X8	Brass	BCT
25CB-G	CSA3.125X5	Brass	CSA
25QB-G	QST3.031X7	Brass	QST

Available special order - Satin or polished chrome

5	Lock Nut	C37700			
4	O-Ring	EPDM(A70)	9	Wheel Nut	C37700
3	Bottom	C37700	8	Wheel Washer	304
2	Spool Assembly	Sub Assembly	7	Handle Wheel	ZL102
1	Body	C37700	6	O-Ring	EPDM(A70)
ITEM	DESCRIPTION	MATERIAL	ITEM	DESCRIPTION	MATERIAL

Laser
Height of letter : 4mm



FM APPROVED & UL/ULC LISTED FOR 175 PSI
PRESSURE RATED FOR 300 PSI
HOSE VALVE 2.5"



National Fire
Equipment Ltd.

TORONTO: (905) 761-6355
Toll Free: (800) 267-8508

OTTAWA: (613) 723-6071

VANCOUVER: (604) 420-1131
Toll Free: (800)-667-2138

BURNABY: (604)-299-4498

EDMONTON: (780) 455-3870
Toll Free: (888)-891-1008

CALGARY: (403) 236-5661

MONCTON: (506) 859-7277
Toll Free: (877) 816-3473

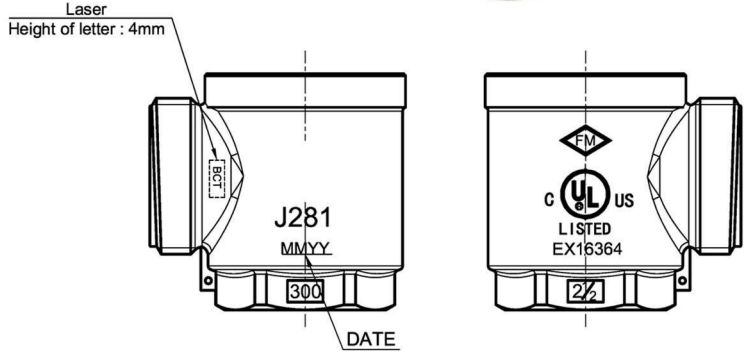
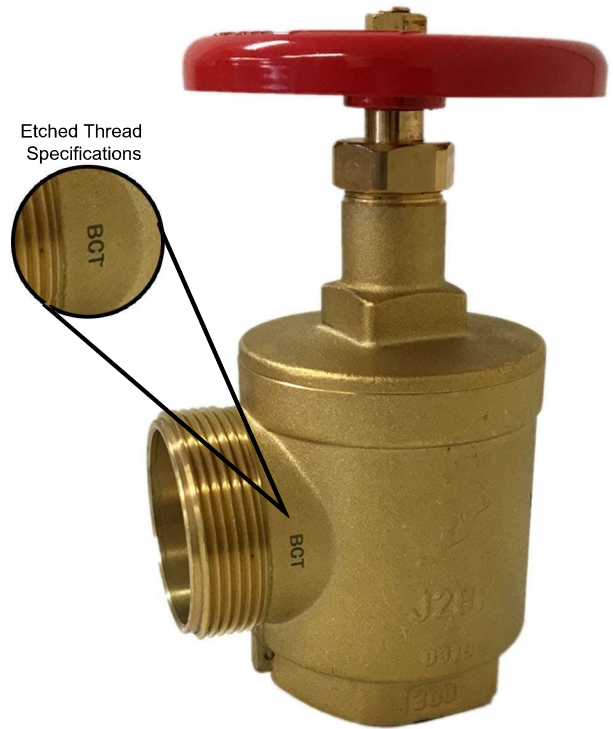
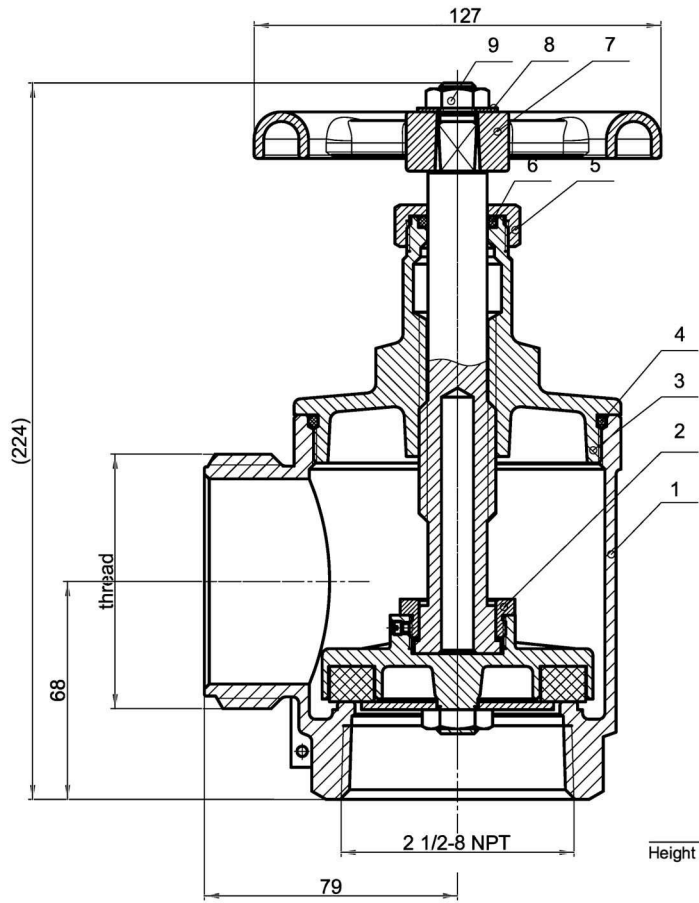
MISSISSAUGA: (905) 565-1385

www.nationalfire.com



National Fire Equipment Ltd.

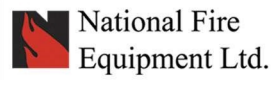
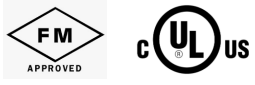
NFE Model 25 2-1/2" Threaded Angle Hose Valve



Part No.	Thread	Surface Treatment	Laser
25BB	BCT3.000X8	brass	BCT
25BC	BCT3.000X8	satin chrome plating	
25CB	CSA3.125X5	brass	CSA
25CC	CSA3.125X5	satin chrome plating	
25CPC	CSA3.125X5	polished chrome plating	
25MB	Moncton2.962X8	brass	MT
25NFB	NFLD3.250X5	brass	NFLD
25NFC	NFLD3.250X5	satin chrome plating	
25NSB	NSST3.230X5	brass	NSST
25QB	QST3.031X7	brass	
25QC	QST3.031X7	satin chrome plating	QST
25WB	WCT3.250X6	brass	WCT
25WC	WCT3.250X6	satin chrome plating	

5	Lock Nut	C37700	9	Wheel Nut	C37700
4	O-Ring	EPDM(A70)	8	Wheel Washer	304
3	Bottom	C37700	7	Handle Wheel	ZL102
2	Spool Assembly	Sub Assembly	6	O-Ring	EPDM(A70)
1	Body	C37700			
ITEM	DESCRIPTION	MATERIAL	ITEM	DESCRIPTION	MATERIAL

FM APPROVED & UL/ULC LISTED FOR 175 PSI
 PRESSURE RATED FOR 300 PSI
 HOSE VALVE 2.5"



TORONTO: (905) 761-6355
 Toll Free: (800) 267-8508
 OTTAWA: (613) 723-6071

VANCOUVER: (604) 420-1131
 Toll Free: (800)-667-2138
 BURNABY: (604)-299-4498
 www.nationalfire.com

EDMONTON: (780) 455-3870
 Toll Free: (888)-891-1008
 CALGARY: (403) 236-5661

MONCTON: (506) 859-7277
 Toll Free: (877) 816-3473
 MISSISSAUGA: (905) 565-1385