



# National Fire Equipment Ltd.

## Preaction Systems Order Form

Date: \_\_\_\_\_

Customer Order#: \_\_\_\_\_

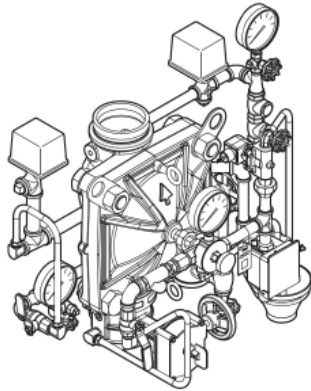
**BILL THIS ORDER TO:**

Name: \_\_\_\_\_  
 Address: \_\_\_\_\_  
 City: \_\_\_\_\_ Prov: \_\_\_\_\_  
 Phone: \_\_\_\_\_ Postal Code: \_\_\_\_\_  
 Attention: \_\_\_\_\_

**SHIP THIS ORDER TO:**

Name: \_\_\_\_\_  
 Address: \_\_\_\_\_  
 City: \_\_\_\_\_ Prov: \_\_\_\_\_  
 Phone: \_\_\_\_\_ Postal Code: \_\_\_\_\_  
 Attention: \_\_\_\_\_

**DV-5A Pre-Trimmed Pre-action Systems Single Interlock - Wet Pilot, Dry Pilot, Electric Pilot**



- Each Pre-Trimmed Valve Contains:**
- Deluge Valve
  - Galvanized Actuation Trim
  - Pressure Switch(es)
  - Dry Pneumatic Actuator
  - Electric Solenoid Valve
  - Butterfly Valve
  - Couplings
- Each Pre-Trimmed Valve System is Individually Palletized and Packaged

Size	Description	Part No.	Qty:
<b>Pre-Trimmed, Single Interlock Wet Actuation, Groove x Groove</b>			
1-1/2"	Pre-Trimmed DV-5A Single Interlock Wet Actuation Trim-Galvanized	551011115	
2"	Pre-Trimmed DV-5A Single Interlock Wet Actuation Trim-Galvanized	551011120	
3"	Pre-Trimmed DV-5A Single Interlock Wet Actuation Trim-Galvanized	551011130	
4"	Pre-Trimmed DV-5A Single Interlock Wet Actuation Trim-Galvanized	551011140	
6"	Pre-Trimmed DV-5A Single Interlock Wet Actuation Trim-Galvanized	551011160	
8"	Pre-Trimmed DV-5A Single Interlock Wet Actuation Trim-Galvanized	551011180	
<b>Pre-Trimmed, Single Interlock Dry Actuation, Groove x Groove</b>			
1-1/2"	Pre-Trimmed DV-5A Single Interlock Dry Actuation Trim-Galvanized	551011215	
2"	Pre-Trimmed DV-5A Single Interlock Dry Actuation Trim-Galvanized	551011220	
3"	Pre-Trimmed DV-5A Single Interlock Dry Actuation Trim-Galvanized	551011230	
4"	Pre-Trimmed DV-5A Single Interlock Dry Actuation Trim-Galvanized	551011240	
6"	Pre-Trimmed DV-5A Single Interlock Dry Actuation Trim-Galvanized	551011260	
8"	Pre-Trimmed DV-5A Single Interlock Dry Actuation Trim-Galvanized	551011280	
<b>Pre-Trimmed, Single Interlock Electric Actuation, Groove x Groove</b>			
1-1/2"	Pre-Trimmed DV-5A Single Interlock Electric Actuation Trim-Galvanized	551011315	
2"	Pre-Trimmed DV-5A Single Interlock Electric Actuation Trim-Galvanized	551011320	
3"	Pre-Trimmed DV-5A Single Interlock Electric Actuation Trim-Galvanized	551011330	
4"	Pre-Trimmed DV-5A Single Interlock Electric Actuation Trim-Galvanized	551011340	
6"	Pre-Trimmed DV-5A Single Interlock Electric Actuation Trim-Galvanized	551011360	
8"	Pre-Trimmed DV-5A Single Interlock Electric Actuation Trim-Galvanized	551011380	

**Technical Data Sheet - TFP1425**

**Note:** These valves are also available pre-trimmed with our BFV in GxG, TxT, FxF and FxG



Date: \_\_\_\_\_

Customer Order#: \_\_\_\_\_

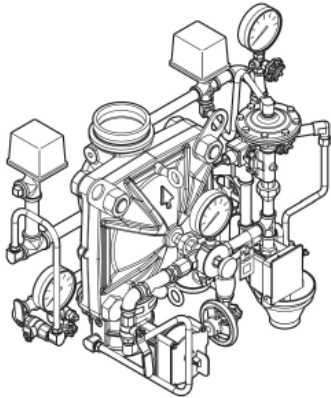
**BILL THIS ORDER TO:**

Name: \_\_\_\_\_  
 Address: \_\_\_\_\_  
 City: \_\_\_\_\_ Prov: \_\_\_\_\_  
 Phone: \_\_\_\_\_ Postal Code: \_\_\_\_\_  
 Attention: \_\_\_\_\_

**SHIP THIS ORDER TO:**

Name: \_\_\_\_\_  
 Address: \_\_\_\_\_  
 City: \_\_\_\_\_ Prov: \_\_\_\_\_  
 Phone: \_\_\_\_\_ Postal Code: \_\_\_\_\_  
 Attention: \_\_\_\_\_

**DV-5A Pre-Trimmed Pre-action Systems Double Interlock - Electric/Pneumatic, Electric/Electric**



**Each Pre-Trimmed Valve Contains:**

- Deluge Valve
- Galvanized Actuation Trim
- Pressure Switch(es)
- Dry Pneumatic Actuator
- Electric Solenoid Valve
- Butterfly Valve
- Couplings

Each Pre-Trimmed Valve System is Individually Palletized and Packaged

Size	Description	Part No.	Qty:
<b>Pre-Trimmed, Double Interlock Electric-Pneumatic Actuation, Groove x Groove</b>			
1-1/2"	Pre-Trimmed DV-5A Valve Double Interlock Electric/Pneumatic Pilot Actuation-Galvanized	551011415	
2"	Pre-Trimmed DV-5A Valve Double Interlock Electric/Pneumatic Pilot Actuation-Galvanized	551011420	
3"	Pre-Trimmed DV-5A Valve Double Interlock Electric/Pneumatic Pilot Actuation-Galvanized	551011430	
4"	Pre-Trimmed DV-5A Valve Double Interlock Electric/Pneumatic Pilot Actuation-Galvanized	551011440	
6"	Pre-Trimmed DV-5A Valve Double Interlock Electric/Pneumatic Pilot Actuation-Galvanized	551011460	
8"	Pre-Trimmed DV-5A Valve Double Interlock Electric/Pneumatic Pilot Actuation-Galvanized	551011480	
<b>Pre-Trimmed, Double Interlock Electric-Electric Actuation, Groove x Groove</b>			
1-1/2"	Pre-Trimmed DV-5A Valve Double Interlock Electric/Electric Pilot Actuation-Galvanized	551011515	
2"	Pre-Trimmed DV-5A Valve Double Interlock Electric/Electric Pilot Actuation-Galvanized	551011520	
3"	Pre-Trimmed DV-5A Valve Double Interlock Electric/Electric Pilot Actuation-Galvanized	551011530	
4"	Pre-Trimmed DV-5A Valve Double Interlock Electric/Electric Pilot Actuation-Galvanized	551011540	
6"	Pre-Trimmed DV-5A Valve Double Interlock Electric/Electric Pilot Actuation-Galvanized	551011560	
8"	Pre-Trimmed DV-5A Valve Double Interlock Electric/Electric Pilot Actuation-Galvanized	551011580	
<b>Technical Data Sheet - TFP1450</b>			
<b>Note:</b> These valves are also available pre-trimmed with our BFV in GxG, TxT, FxF and FxG			



Date: \_\_\_\_\_

Customer Order#: \_\_\_\_\_

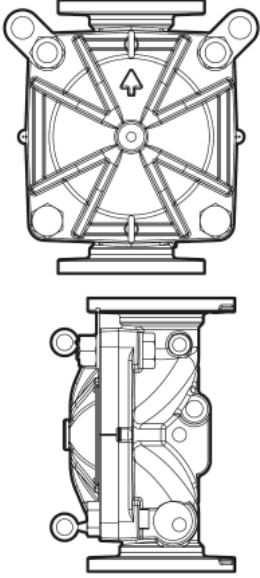
**BILL THIS ORDER TO:**

Name: \_\_\_\_\_  
 Address: \_\_\_\_\_  
 City: \_\_\_\_\_ Prov: \_\_\_\_\_  
 Phone: \_\_\_\_\_ Postal Code: \_\_\_\_\_  
 Attention: \_\_\_\_\_

**SHIP THIS ORDER TO:**

Name: \_\_\_\_\_  
 Address: \_\_\_\_\_  
 City: \_\_\_\_\_ Prov: \_\_\_\_\_  
 Phone: \_\_\_\_\_ Postal Code: \_\_\_\_\_  
 Attention: \_\_\_\_\_

**DV-5A Deluge Valves, Diaphragm Style and Pre-action Trim Kits**

Description	Part No.	Qty:	
	1-1/2" DV-5A Deluge Valves, Groove x Groove-Red	530010015	
	2" DV-5A Deluge Valves, Groove x Groove-Red	530010020	
	3" DV-5A Deluge Valves, Groove x Groove-Red	530010030	
	4" DV-5A Deluge Valves, Groove x Groove-Red	530010040	
	6" DV-5A Deluge Valves, Groove x Groove-Red	530010060	
	8" DV-5A Deluge Valves, Groove x Groove-Red	530010080	
	1-1/2" DV-5A Deluge Valves, Thread x Thread-Red	530060015	
	2" DV-5A Deluge Valves, Thread x Thread-Red	530060020	
	3" DV-5A Deluge Valves, Flange x Groove-Red	530030030	
	4" DV-5A Deluge Valves, Flange x Groove-Red	530030040	
	6" DV-5A Deluge Valves, Flange x Groove-Red	530030060	
	8" DV-5A Deluge Valves, Flange x Groove-Red	530030080	
	3" DV-5A Deluge Valves, Flange x Flange-Red	530020030	
	4" DV-5A Deluge Valves, Flange x Flange-Red	530020040	
	6" DV-5A Deluge Valves, Flange x Flange-Red	530020060	
	8" DV-5A Deluge Valves, Flange x Flange-Red	530020080	
<b>Trim Kits for DV-5A Deluge Valves Single Interlock Wet Pilot Actuation</b>			
1-1/2" and 2" Single Interlock Wet Actuation Trim Kit-Galvanized	540001120		
3" Single Interlock Wet Actuation Trim Kit-Galvanized	540001130		
4" Single Interlock Wet Actuation Trim Kit-Galvanized	540001140		
6" Single Interlock Wet Actuation Trim Kit-Galvanized	540001160		
8" Single Interlock Wet Actuation Trim Kit-Galvanized	540001180		
<b>Trim Kits for DV-5A Deluge Valves Single Interlock Dry Pilot Actuation</b>			
1-1/2" and 2" Single Interlock Dry Actuation Trim Kit-Galvanized	540001220		
3" Single Interlock Dry Actuation Trim Kit-Galvanized	540001230		
4" Single Interlock Dry Actuation Trim Kit-Galvanized	540001240		
6" Single Interlock Dry Actuation Trim Kit-Galvanized	540001260		
8" Single Interlock Dry Actuation Trim Kit-Galvanized	540001280		
<b>Trim Kits for DV-5A Deluge Valves Single Interlock Electric Actuation</b>			
1-1/2" and 2" Single Interlock Electric Actuation Trim Kit-Galvanized	540001320		
3" Single Interlock Electric Actuation Trim Kit-Galvanized	540001330		
4" Single Interlock Electric Actuation Trim Kit-Galvanized	540001340		
6" Single Interlock Electric Actuation Trim Kit-Galvanized	540001360		
8" Single Interlock Electric Actuation Trim Kit-Galvanized	540001380		

Continued next page



Date: \_\_\_\_\_

Customer Order#: \_\_\_\_\_

**BILL THIS ORDER TO:**

Name: \_\_\_\_\_  
 Address: \_\_\_\_\_  
 City: \_\_\_\_\_ Prov: \_\_\_\_\_  
 Phone: \_\_\_\_\_ Postal Code: \_\_\_\_\_  
 Attention: \_\_\_\_\_

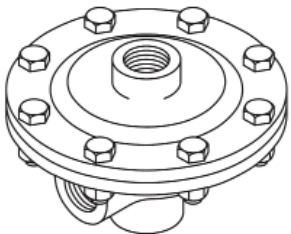
**SHIP THIS ORDER TO:**

Name: \_\_\_\_\_  
 Address: \_\_\_\_\_  
 City: \_\_\_\_\_ Prov: \_\_\_\_\_  
 Phone: \_\_\_\_\_ Postal Code: \_\_\_\_\_  
 Attention: \_\_\_\_\_

**DV-5A Deluge Valves, Diaphragm Style and Pre-action Trim (cont.)**

Size	Description	Part No.	Qty:
<b>Trim Kits for DV-5A Deluge Valves Double Interlock Electric/Pneumatic Actuation</b>			
1-1/2" and 2"	Double Interlock Electric/Pneumatic Pilot Actuation Trim Kit-Galvanized	540001420	
3"	Double Interlock Electric/Pneumatic Pilot Actuation Trim Kit-Galvanized	540001430	
4"	Double Interlock Electric/Pneumatic Pilot Actuation Trim Kit-Galvanized	540001440	
6"	Double Interlock Electric/Pneumatic Pilot Actuation Trim Kit-Galvanized	540001460	
8"	Double Interlock Electric/Pneumatic Pilot Actuation Trim Kit-Galvanized	540001480	
<b>Trim Kits for DV-5A Deluge Valves Double Interlock Electric/Electric Actuation</b>			
1-1/2" and 2"	Double Interlock Electric/Electric Pilot Actuation Trim Kit-Galvanized	540001520	
3"	Double Interlock Electric/Electric Pilot Actuation Trim Kit-Galvanized	540001530	
4"	Double Interlock Electric/Electric Pilot Actuation Trim Kit-Galvanized	540001540	
6"	Double Interlock Electric/Electric Pilot Actuation Trim Kit-Galvanized	540001560	
8"	Double Interlock Electric/Electric Pilot Actuation Trim Kit-Galvanized	540001580	

**Model DP-1, Dry Pilot Actuator**

Description	Part No.	Qty:
 <p>Dry Pilot Actuator Model DP-1</p>	52-280-1-001P	
<b>Replacement Parts for DP-1 Dry Pilot Actuator</b>		
Replacement Parts for DP-1, Diaphragm	92-280-1-008	
Replacement Parts for DP-1, Diaphragm Plate, Sub Assembly	92-280-1-012	
<b>Technical Data Sheet - TFP1380</b>		



Date: \_\_\_\_\_

Customer Order#: \_\_\_\_\_

**BILL THIS ORDER TO:**

Name: \_\_\_\_\_  
 Address: \_\_\_\_\_  
 City: \_\_\_\_\_ Prov: \_\_\_\_\_  
 Phone: \_\_\_\_\_ Postal Code: \_\_\_\_\_  
 Attention: \_\_\_\_\_

**SHIP THIS ORDER TO:**

Name: \_\_\_\_\_  
 Address: \_\_\_\_\_  
 City: \_\_\_\_\_ Prov: \_\_\_\_\_  
 Phone: \_\_\_\_\_ Postal Code: \_\_\_\_\_  
 Attention: \_\_\_\_\_

**DV-5A Deluge Valve Accessories for Wet, Dry, Electric,  
Remote Reset and Remote Reset Pressure Reducing Actuation**

Size	Description	Part No.	Qty:
1/2"	1/2 Solenoid Valve 24DC	522871024	
1/2"	1/2 Solenoid Valve 24vDC 250psi, High pressure	522871124	
N/A	Dry Pilot Actuator Model DP-1	522801001P	
N/A	Manual Control Station (MC-2)	545002000	
N/A	Potter Electric, Pressure Switches, PS10-2	25710	
N/A	Potter Electric, Pressure Switches, PS40-2	25730	
N/A	OSYSU-2 Monitor Switch, Deluge System	2412	
N/A	Model WMA-1 Water Motor Alarm	526301001P	
N/A	Model PFC 4410 Fire Control Panel.	20135	
N/A	Manual Reset Actuator (MRA-1)	545001000	
N/A	600 psi Water Pressure Gauge	923431004	
N/A	Water Pressure Gauge, Deluge System	923431005	
N/A	Automatic System Air Supply #AMD-1	523242002	
N/A	Automatic System Air Supply #AMD-2	523262001	
N/A	#AMD-3 Nitrogen Air Maint Device	523282001	
N/A	Model AD-3 Automatic Drain Valve (TFP 1633)	547932004	
N/A	Y Strainer	523531005	
N/A	Spring Loaded Check Valve	923221003	
N/A	Automatic System #G16AC812 Supervisory Air Supply	521501001	

**Batteries - Two Batteries are required for Stand-by power for each Control Panel. Consult TD Sheets for ratings**

Size	Description	Part No.	Qty:
N/A	Model BT-80 (8 amp) Stand by Batteries, (2 REQ'D)	2656	
N/A	Model BT-120 Stand by Batteries, (2 REQ'D)	20128	

**Notes**

Heat Detectors, Manual Control Stations, Alarm Bells, Trouble Horns, Spray Nozzles or Open Sprinklers are ordered separately  
 Contact you local TFP Distributor

**DV-5A Deluge Valve Replacements Parts**

Size	Description	Part No.	Qty:
1-1/2" and 2"	Deluge Valve Replacement Diaphragm	545000020	
3"	Deluge Valve Replacement Diaphragm	545000030	
4"	Deluge Valve Replacement Diaphragm	545000040	
6"	Deluge Valve Replacement Diaphragm	545000060	
8"	Deluge Valve Replacement Diaphragm	545000080	

**Note:** Other valves Replacement Parts can be found in TFP1306



Date: \_\_\_\_\_

Customer Order#: \_\_\_\_\_

**BILL THIS ORDER TO:**

Name: \_\_\_\_\_  
 Address: \_\_\_\_\_  
 City: \_\_\_\_\_ Prov: \_\_\_\_\_  
 Phone: \_\_\_\_\_ Postal Code: \_\_\_\_\_  
 Attention: \_\_\_\_\_

**SHIP THIS ORDER TO:**

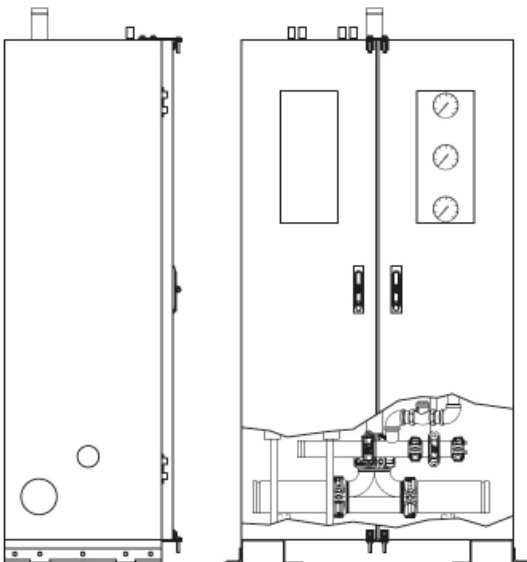
Name: \_\_\_\_\_  
 Address: \_\_\_\_\_  
 City: \_\_\_\_\_ Prov: \_\_\_\_\_  
 Phone: \_\_\_\_\_ Postal Code: \_\_\_\_\_  
 Attention: \_\_\_\_\_

**Red-E Cabinet With DV-5A Deluge Valve,  
Preaction, Single Interlock, Double Interlock and Deluge Packages**

**P/N-530**

"Cabinet DV-5A"	Size	"Actuation Device"	"Air Maintenance Device"	Thin Type	"Control Panel"	Compressor
530	1-1/2" - DN40 = 1	Deluge Wet = 01	None = 0	Galvanized = 1	None = 0	None = 0
	2" - DN50 = 2	Deluge Dry = 01	AMD-1 = 1		Included = A	1/6 hp 125 Gal = 1
	3" - DN80 = 3	Deluge Electric = 01	AMD-1 = 1		1/3 hp 250 Gal = 2	
	4" - DN100 = 4	"Deluge Remote Resting = 04"	AMD-1 = 1		1/2 hp 365 Gal = 3	
	6" - DN150 = 6	"Deluge Remote Resting Pressure Reducing = 05"			3/4 hp 430 Gal = 4	
	8" - D200 = 8	Single Interlock Wet = 11			1 hp 615 Gal = 5	
		Single Interlock Dry = 12			1-1/2 hp 915 Gal = 6	
		Single Interlock Electric = 13			2 hp 1225 Gal = 7	
		"Double Interlock Electric / Pneumatic = 14"			S/I Compressor = 8	
		"Double Interlock Electric / Pneumatic = 15"				
		Preaction Type A = 16				

Any configuration from this chart is available but please note configurations not listed below may require longer lead times. Contact customer service for more information



**Note:**  
 All quotes are FOB manufacturer and are considered "Special Order" and are Non-Returnable.  
  
 For orders with no Control Panel, deduct \$350 from the price  
  
 Please see "Terms & Conditions"

Continued next page



# National Fire Equipment Ltd.

## Preaction Systems Order Form

Date: \_\_\_\_\_

Customer Order#: \_\_\_\_\_

**BILL THIS ORDER TO:**

Name: \_\_\_\_\_  
 Address: \_\_\_\_\_  
 City: \_\_\_\_\_ Prov: \_\_\_\_\_  
 Phone: \_\_\_\_\_ Postal Code: \_\_\_\_\_  
 Attention: \_\_\_\_\_

**SHIP THIS ORDER TO:**

Name: \_\_\_\_\_  
 Address: \_\_\_\_\_  
 City: \_\_\_\_\_ Prov: \_\_\_\_\_  
 Phone: \_\_\_\_\_ Postal Code: \_\_\_\_\_  
 Attention: \_\_\_\_\_

<b>Red-E Cabinet With DV-5A Deluge Valve, Preaction, Single Interlock, Double Interlock and Deluge Packages (cont.)</b>
---

<b>Deluge Valve - Wet</b>
---------------------------

Size	Description	Compressor	Part No.	Qty:
1-1/2"	Red-E DV-5A -- 1-1/2" Deluge with Wet Actuation, Galvanized Trim, Control Panel	-	53010101A0	
2"	Red-E DV-5A -- 2" Deluge with Wet Actuation, Galvanized Trim, Control Panel	-	53020101A0	
3"	Red-E DV-5A -- 3" Deluge with Wet Actuation, Galvanized Trim, Control Panel	-	53030101A0	
4"	Red-E DV-5A -- 4" Deluge with Wet Actuation, Galvanized Trim, Control Panel	-	53040101A0	
6"	Red-E DV-5A -- 6" Deluge with Wet Actuation, Galvanized Trim, Control Panel	-	53060101A0	
8"	Red-E DV-5A -- 8" Deluge with Wet Actuation, Galvanized Trim, Control Panel	-	53080101A0	

<b>Deluge Valve - Dry</b>
---------------------------

Size	Description	Compressor	Part No.	Qty:
1-1/2"	Red-E DV-5A -- 1-1/2" Deluge with Dry Actuation, Galvanized Trim, Control Panel	1/6 HP	53010201A1	
2"	Red-E DV-5A -- 2" Deluge with Dry Actuation, Galvanized Trim, Control Panel	1/6 HP	53020201A1	
3"	Red-E DV-5A -- 3" Deluge with Dry Actuation, Galvanized Trim, Control Panel	1/6 HP	53030201A1	
4"	Red-E DV-5A -- 4" Deluge with Dry Actuation, Galvanized Trim, Control Panel	1/6 HP	53040201A1	
6"	Red-E DV-5A -- 6" Deluge with Dry Actuation, Galvanized Trim, Control Panel	1/6 HP	53060201A1	
8"	Red-E DV-5A -- 8" Deluge with Dry Actuation, Galvanized Trim, Control Panel	1/6 HP	53080201A1	



Date: \_\_\_\_\_

Customer Order#: \_\_\_\_\_

**BILL THIS ORDER TO:**

Name: \_\_\_\_\_  
 Address: \_\_\_\_\_  
 City: \_\_\_\_\_ Prov: \_\_\_\_\_  
 Phone: \_\_\_\_\_ Postal Code: \_\_\_\_\_  
 Attention: \_\_\_\_\_

**SHIP THIS ORDER TO:**

Name: \_\_\_\_\_  
 Address: \_\_\_\_\_  
 City: \_\_\_\_\_ Prov: \_\_\_\_\_  
 Phone: \_\_\_\_\_ Postal Code: \_\_\_\_\_  
 Attention: \_\_\_\_\_

**Red-E Cabinet With DV-5A Deluge Valve,  
Preaction, Single Interlock, Double Interlock and Deluge Packages**

**Deluge Valve - Electric**

Size	Description	Part No.	Qty:
1-1/2"	Red-E DV-5A -- 1-1/2" Deluge with Electric Actuation, Galvanized Trim, Control Panel	53010301A0	
2"	Red-E DV-5A -- 2" Deluge with Electric Actuation, Galvanized Trim, Control Panel	53020301A0	
3"	Red-E DV-5A -- 3" Deluge with Electric Actuation, Galvanized Trim, Control Panel	53030301A0	
4"	Red-E DV-5A -- 4" Deluge with Electric Actuation, Galvanized Trim, Control Panel	53040301A0	
6"	Red-E DV-5A -- 6" Deluge with Electric Actuation, Galvanized Trim, Control Panel	53060301A0	
8"	Red-E DV-5A -- 8" Deluge with Electric Actuation, Galvanized Trim, Control Panel	53080301A0	

**Deluge Valve - Remote Reset**

Size	Description	Part No.	Qty:
1-1/2"	Red-E DV-5A - 1½" Deluge with Remote Reset actuation, Galvanized trim, Control Panel	53010401A0	
2"	Red-E DV-5A - 2" Deluge with Remote Reset actuation, Galvanized trim, Control Panel	53020401A0	
3"	Red-E DV-5A - 3" Deluge with Remote Reset actuation, Galvanized trim, Control Panel	53030401A0	
4"	Red-E DV-5A - 4" Deluge with Remote Reset actuation, Galvanized trim, Control Panel	53040401A0	
6"	Red-E DV-5A - 6" Deluge with Remote Reset actuation, Galvanized trim, Control Panel	53060401A0	
8"	Red-E DV-5A - 8" Deluge with Remote Reset actuation, Galvanized trim, Control Panel	53080401A0	

**Deluge Valve - Remote Reset Pressure Reducing**

Size	Description	Part No.	Qty:
1-1/2"	Red-E DV-5A - 1½" Deluge with Remote Reset Pressure Reducing actuation, Galvanized trim, Control Panel	53010501A0	
2"	Red-E DV-5A - 2" Deluge with Remote Reset Pressure Reducing actuation, Galvanized trim, Control Panel	53020501A0	
3"	Red-E DV-5A - 3" Deluge with Remote Reset Pressure Reducing actuation, Galvanized trim, Control Panel	53030501A0	
4"	Red-E DV-5A - 4" Deluge with Remote Reset Pressure Reducing actuation, Galvanized trim, Control Panel	53040501A0	
6"	Red-E DV-5A - 6" Deluge with Remote Reset Pressure Reducing actuation, Galvanized trim, Control Panel	53060501A0	
8"	Red-E DV-5A - 8" Deluge with Remote Reset Pressure Reducing actuation, Galvanized trim, Control Panel	53080501A0	





Date: \_\_\_\_\_

Customer Order#: \_\_\_\_\_

**BILL THIS ORDER TO:**

Name: \_\_\_\_\_  
 Address: \_\_\_\_\_  
 City: \_\_\_\_\_ Prov: \_\_\_\_\_  
 Phone: \_\_\_\_\_ Postal Code: \_\_\_\_\_  
 Attention: \_\_\_\_\_

**SHIP THIS ORDER TO:**

Name: \_\_\_\_\_  
 Address: \_\_\_\_\_  
 City: \_\_\_\_\_ Prov: \_\_\_\_\_  
 Phone: \_\_\_\_\_ Postal Code: \_\_\_\_\_  
 Attention: \_\_\_\_\_

**Red-E Cabinet With DV-5A Deluge Valve,  
Preaction, Single Interlock, Double Interlock and Deluge Packages**

**Single Interlock Preaction - Wet**

Size	Description	Compressor	Part No.	Qty:
1-1/2"	Red-E DV-5A - 1½" Single Interlock Preaction with Wet actuation, Galvanized trim, Control Panel	S/I	53011101A8	
2"	Red-E DV-5A - 2" Single Interlock Preaction with Wet actuation, Galvanized trim, Control Panel	S/I	53021101A8	
3"	Red-E DV-5A - 3" Single Interlock Preaction with Wet actuation, Galvanized trim, Control Panel	S/I	53031101A8	
4"	Red-E DV-5A - 4" Single Interlock Preaction with Wet actuation, Galvanized trim, Control Panel	S/I	53041101A8	
6"	Red-E DV-5A - 6" Single Interlock Preaction with Wet actuation, Galvanized trim, Control Panel	S/I	53061101A8	
8"	Red-E DV-5A - 8" Single Interlock Preaction with Wet actuation, Galvanized trim, Control Panel	S/I	53081101A8	

**Single Interlock Preaction - Dry**

Size	Description	Compressor	Part No.	Qty:
1-1/2"	Red-E DV-5A - 1½" Single Interlock Preaction with Dry actuation, Galvanized trim, Control Panel	S/I	53011201A8	
2"	Red-E DV-5A - 2" Single Interlock Preaction with Dry actuation, Galvanized trim, Control Panel	S/I	53021201A8	
3"	Red-E DV-5A - 3" Single Interlock Preaction with Dry actuation, Galvanized trim, Control Panel	S/I	53031201A8	
4"	Red-E DV-5A - 4" Single Interlock Preaction with Dry actuation, Galvanized trim, Control Panel	S/I	53041201A8	
6"	Red-E DV-5A - 6" Single Interlock Preaction with Dry actuation, Galvanized trim, Control Panel	S/I	53061201A8	
8"	Red-E DV-5A - 8" Single Interlock Preaction with Dry actuation, Galvanized trim, Control Panel	S/I	53081201A8	

S/I Compressor is a Single Interlock Compressor

Continued next page



# National Fire Equipment Ltd.

## Praction Systems Order Form

Date: \_\_\_\_\_

Customer Order#: \_\_\_\_\_

**BILL THIS ORDER TO:**

Name: \_\_\_\_\_  
 Address: \_\_\_\_\_  
 City: \_\_\_\_\_ Prov: \_\_\_\_\_  
 Phone: \_\_\_\_\_ Postal Code: \_\_\_\_\_  
 Attention: \_\_\_\_\_

**SHIP THIS ORDER TO:**

Name: \_\_\_\_\_  
 Address: \_\_\_\_\_  
 City: \_\_\_\_\_ Prov: \_\_\_\_\_  
 Phone: \_\_\_\_\_ Postal Code: \_\_\_\_\_  
 Attention: \_\_\_\_\_

**Red-E Cabinet With DV-5A Deluge Valve,  
Praction, Single Interlock, Double Interlock and Deluge Packages (cont.)**

**Single Interlock Praction - Electric**

Size	Description	Compressor	Part No.	Qty:
1-1/2"	Red-E DV-5A - 1½" Single Interlock Praction with Electric actuation, Galvanized trim, Control Panel	S/I	53011301A8	
2"	Red-E DV-5A - 2" Single Interlock Praction with Electric actuation, Galvanized trim, Control Panel	S/I	53021301A8	
3"	Red-E DV-5A - 3" Single Interlock Praction with Electric actuation, Galvanized trim, Control Panel	S/I	53031301A8	
4"	Red-E DV-5A - 4" Single Interlock Praction with Electric actuation, Galvanized trim, Control Panel	S/I	53041301A8	
6"	Red-E DV-5A - 6" Single Interlock Praction with Electric actuation, Galvanized trim, Control Panel	S/I	53061301A8	
8"	Red-E DV-5A - 8" Single Interlock Praction with Electric actuation, Galvanized trim, Control Panel	S/I	53081301A8	

S/I Compressor is a Single Interlock Compressor



# National Fire Equipment Ltd.

## Preaction Systems Order Form

Date: \_\_\_\_\_

Customer Order#: \_\_\_\_\_

**BILL THIS ORDER TO:**

Name: \_\_\_\_\_  
 Address: \_\_\_\_\_  
 City: \_\_\_\_\_ Prov: \_\_\_\_\_  
 Phone: \_\_\_\_\_ Postal Code: \_\_\_\_\_  
 Attention: \_\_\_\_\_

**SHIP THIS ORDER TO:**

Name: \_\_\_\_\_  
 Address: \_\_\_\_\_  
 City: \_\_\_\_\_ Prov: \_\_\_\_\_  
 Phone: \_\_\_\_\_ Postal Code: \_\_\_\_\_  
 Attention: \_\_\_\_\_

**Red-E Cabinet With DV-5A Deluge Valve,  
Preaction, Single Interlock, Double Interlock and Deluge Packages**

**Double Interlock Preaction, Electric/Pneumatic Actuation with Panel**

Size	Description	Compressor	Part No.	Qty:
1-1/2"	Red-E DV-5A - 1½" Double Interlock Preaction with Electric/Pneumatic actuation, Galvanized trim, Control Panel	1/6HP	53011401A1	
1-1/2"	Red-E DV-5A - 1½" Double Interlock Preaction with Electric/Pneumatic actuation, Galvanized trim, Control Panel	1/3HP	53011401A2	
1-1/2"	Red-E DV-5A - 1½" Double Interlock Preaction with Electric/Pneumatic actuation, Galvanized trim, Control Panel	1/2HP	53011401A3	
2"	Red-E DV-5A - 2" Double Interlock Preaction with Electric/Pneumatic actuation, Galvanized trim, Control Panel	1/6HP	53021401A1	
2"	Red-E DV-5A - 2" Double Interlock Preaction with Electric/Pneumatic actuation, Galvanized trim, Control Panel	1/3HP	53021401A2	
2"	Red-E DV-5A - 2" Double Interlock Preaction with Electric/Pneumatic actuation, Galvanized trim, Control Panel	1/2HP	53021401A3	
3"	Red-E DV-5A - 3" Double Interlock Preaction with Electric/Pneumatic actuation, Galvanized trim, Control Panel	1/6HP	53031401A1	
3"	Red-E DV-5A - 3" Double Interlock Preaction with Electric/Pneumatic actuation, Galvanized trim, Control Panel	1/3HP	53031401A2	
3"	Red-E DV-5A - 3" Double Interlock Preaction with Electric/Pneumatic actuation, Galvanized trim, Control Panel	1/2HP	53031401A3	
4"	Red-E DV-5A - 4" Double Interlock Preaction with Electric/Pneumatic actuation, Galvanized trim, Control Panel	1/6HP	53041401A1	
4"	Red-E DV-5A - 4" Double Interlock Preaction with Electric/Pneumatic actuation, Galvanized trim, Control Panel	1/3HP	53041401A2	
4"	Red-E DV-5A - 4" Double Interlock Preaction with Electric/Pneumatic actuation, Galvanized trim, Control Panel	1/2HP	53041401A3	
4"	Red-E DV-5A - 4" Double Interlock Preaction with Electric/Pneumatic actuation, Galvanized trim, Control Panel	3/4HP	53041401A4	
4"	Red-E DV-5A - 4" Double Interlock Preaction with Electric/Pneumatic actuation, Galvanized trim, Control Panel	1HP	53041401A5	
4"	Red-E DV-5A - 4" Double Interlock Preaction with Electric/Pneumatic actuation, Galvanized trim, Control Panel	1-1/2HP	53041401A6	
4"	Red-E DV-5A - 4" Double Interlock Preaction with Electric/Pneumatic actuation, Galvanized trim, Control Panel	2HP	53041401A7	

Continued next page



# National Fire Equipment Ltd.

## Preaction Systems Order Form

Date: \_\_\_\_\_

Customer Order#: \_\_\_\_\_

**BILL THIS ORDER TO:**

Name: \_\_\_\_\_  
 Address: \_\_\_\_\_  
 City: \_\_\_\_\_ Prov: \_\_\_\_\_  
 Phone: \_\_\_\_\_ Postal Code: \_\_\_\_\_  
 Attention: \_\_\_\_\_

**SHIP THIS ORDER TO:**

Name: \_\_\_\_\_  
 Address: \_\_\_\_\_  
 City: \_\_\_\_\_ Prov: \_\_\_\_\_  
 Phone: \_\_\_\_\_ Postal Code: \_\_\_\_\_  
 Attention: \_\_\_\_\_

**Red-E Cabinet With DV-5A Deluge Valve,  
Preaction, Single Interlock, Double Interlock and Deluge Packages (cont.)**

**Double Interlock Preaction, Electric/Pneumatic Actuation with Panel**

Size	Description	Compressor	Part No.	Qty:
6"	Red-E DV-5A - 6" Double Interlock Preaction with Electric/Pneumatic actuation, Galvanized trim, Control Panel	1/6HP	53061401A1	
6"	Red-E DV-5A - 6" Double Interlock Preaction with Electric/Pneumatic actuation, Galvanized trim, Control Panel	1/3HP	53061401A2	
6"	Red-E DV-5A - 6" Double Interlock Preaction with Electric/Pneumatic actuation, Galvanized trim, Control Panel	1/2HP	53061401A3	
6"	Red-E DV-5A - 6" Double Interlock Preaction with Electric/Pneumatic actuation, Galvanized trim, Control Panel	3/4HP	53061401A4	
6"	Red-E DV-5A - 6" Double Interlock Preaction with Electric/Pneumatic actuation, Galvanized trim, Control Panel	1HP	53061401A5	
6"	Red-E DV-5A - 6" Double Interlock Preaction with Electric/Pneumatic actuation, Galvanized trim, Control Panel	1-1/2HP	53061401A6	
6"	Red-E DV-5A - 6" Double Interlock Preaction with Electric/Pneumatic actuation, Galvanized trim, Control Panel	2HP	53061401A7	



# National Fire Equipment Ltd.

## Preaction Systems Order Form

Date: \_\_\_\_\_

Customer Order#: \_\_\_\_\_

**BILL THIS ORDER TO:**

Name: \_\_\_\_\_  
 Address: \_\_\_\_\_  
 City: \_\_\_\_\_ Prov: \_\_\_\_\_  
 Phone: \_\_\_\_\_ Postal Code: \_\_\_\_\_  
 Attention: \_\_\_\_\_

**SHIP THIS ORDER TO:**

Name: \_\_\_\_\_  
 Address: \_\_\_\_\_  
 City: \_\_\_\_\_ Prov: \_\_\_\_\_  
 Phone: \_\_\_\_\_ Postal Code: \_\_\_\_\_  
 Attention: \_\_\_\_\_

**Red-E Cabinet With DV-5A Deluge Valve,  
Preaction, Single Interlock, Double Interlock and Deluge Packages**

**Double Interlock Preaction, Electric/Pneumatic Actuation, No Panel**

Size	Description	Compressor	Part No.	Qty:
1-1/2"	Red-E DV-5A - 1 1/2" Double Interlock Preaction with Electric/Pneumatic actuation, Galvanized trim, No Control Panel	1/6HP	5301140101	
1-1/2"	Red-E DV-5A - 1 1/2" Double Interlock Preaction with Electric/Pneumatic actuation, Galvanized trim, No Control Panel	1/3HP	5301140102	
1-1/2"	Red-E DV-5A - 1 1/2" Double Interlock Preaction with Electric/Pneumatic actuation, Galvanized trim, No Control Panel	1/2HP	5301140103	
2"	Red-E DV-5A - 2" Double Interlock Preaction with Electric/Pneumatic actuation, Galvanized trim, No Control Panel	1/6HP	5302140101	
2"	Red-E DV-5A - 2" Double Interlock Preaction with Electric/Pneumatic actuation, Galvanized trim, No Control Panel	1/3HP	5302140102	
2"	Red-E DV-5A - 2" Double Interlock Preaction with Electric/Pneumatic actuation, Galvanized trim, No Control Panel	1/2HP	5302140103	
3"	Red-E DV-5A - 3" Double Interlock Preaction with Electric/Pneumatic actuation, Galvanized trim, No Control Panel	1/6HP	5303140101	
3"	Red-E DV-5A - 3" Double Interlock Preaction with Electric/Pneumatic actuation, Galvanized trim, No Control Panel	1/3HP	5303140102	
3"	Red-E DV-5A - 3" Double Interlock Preaction with Electric/Pneumatic actuation, Galvanized trim, No Control Panel	1/2HP	5303140103	
4"	Red-E DV-5A - 4" Double Interlock Preaction with Electric/Pneumatic actuation, Galvanized trim, No Control Panel	1/6HP	5304140101	
4"	Red-E DV-5A - 4" Double Interlock Preaction with Electric/Pneumatic actuation, Galvanized trim, No Control Panel	1/3HP	5304140102	
4"	Red-E DV-5A - 4" Double Interlock Preaction with Electric/Pneumatic actuation, Galvanized trim, No Control Panel	1/2HP	5304140103	
4"	Red-E DV-5A - 4" Double Interlock Preaction with Electric/Pneumatic actuation, Galvanized trim, No Control Panel	3/4HP	5304140104	
4"	Red-E DV-5A - 4" Double Interlock Preaction with Electric/Pneumatic actuation, Galvanized trim, No Control Panel	1HP	5304140105	
4"	Red-E DV-5A - 4" Double Interlock Preaction with Electric/Pneumatic actuation, Galvanized trim, No Control Panel	1-1/2HP	5304140106	
4"	Red-E DV-5A - 4" Double Interlock Preaction with Electric/Pneumatic actuation, Galvanized trim, No Control Panel	2HP	5304140107	

Continued next page



# National Fire Equipment Ltd.

## Preaction Systems Order Form

Date: \_\_\_\_\_

Customer Order#: \_\_\_\_\_

**BILL THIS ORDER TO:**

Name: \_\_\_\_\_  
 Address: \_\_\_\_\_  
 City: \_\_\_\_\_ Prov: \_\_\_\_\_  
 Phone: \_\_\_\_\_ Postal Code: \_\_\_\_\_  
 Attention: \_\_\_\_\_

**SHIP THIS ORDER TO:**

Name: \_\_\_\_\_  
 Address: \_\_\_\_\_  
 City: \_\_\_\_\_ Prov: \_\_\_\_\_  
 Phone: \_\_\_\_\_ Postal Code: \_\_\_\_\_  
 Attention: \_\_\_\_\_

**Red-E Cabinet With DV-5A Deluge Valve,  
Preaction, Single Interlock, Double Interlock and Deluge Packages (cont.)**

<b>Double Interlock Preaction, Electric/Pneumatic Actuation, No Panel</b>				
Size	Description	Compressor	Part No.	Qty:
6"	Red-E DV-5A - 6" Double Interlock Preaction with Electric/Pneumatic actuation, Galvanized trim, No Control Panel	1/6HP	5306140101	
6"	Red-E DV-5A - 6" Double Interlock Preaction with Electric/Pneumatic actuation, Galvanized trim, No Control Panel	1/3HP	5306140102	
6"	Red-E DV-5A - 6" Double Interlock Preaction with Electric/Pneumatic actuation, Galvanized trim, No Control Panel	1/2HP	5306140103	
6"	Red-E DV-5A - 6" Double Interlock Preaction with Electric/Pneumatic actuation, Galvanized trim, No Control Panel	3/4HP	5306140104	
6"	Red-E DV-5A - 6" Double Interlock Preaction with Electric/Pneumatic actuation, Galvanized trim, No Control Panel	1HP	5306140105	
6"	Red-E DV-5A - 6" Double Interlock Preaction with Electric/Pneumatic actuation, Galvanized trim, No Control Panel	1-1/2HP	5306140106	
6"	Red-E DV-5A - 6" Double Interlock Preaction with Electric/Pneumatic actuation, Galvanized trim, No Control Panel	2HP	5306140107	



Date: \_\_\_\_\_

Customer Order#: \_\_\_\_\_

**BILL THIS ORDER TO:**

Name: \_\_\_\_\_  
 Address: \_\_\_\_\_  
 City: \_\_\_\_\_ Prov: \_\_\_\_\_  
 Phone: \_\_\_\_\_ Postal Code: \_\_\_\_\_  
 Attention: \_\_\_\_\_

**SHIP THIS ORDER TO:**

Name: \_\_\_\_\_  
 Address: \_\_\_\_\_  
 City: \_\_\_\_\_ Prov: \_\_\_\_\_  
 Phone: \_\_\_\_\_ Postal Code: \_\_\_\_\_  
 Attention: \_\_\_\_\_

**Red-E Cabinet With DV-5A Deluge Valve,  
Preaction, Single Interlock, Double Interlock and Deluge Packages**

**Double Interlock Preaction, Electric/Electric Actuation with Panel**

Size	Description	Compressor	Part No.	Qty:
1-1/2"	Red-E DV-5A - 1½" Double Interlock Preaction with Electric/Electric actuation, Galvanized trim, Control Panel	1/6HP	53011501A1	
1-1/2"	Red-E DV-5A - 1½" Double Interlock Preaction with Electric/Electric actuation, Galvanized trim, Control Panel	1/3HP	53011501A2	
1-1/2"	Red-E DV-5A - 1½" Double Interlock Preaction with Electric/Electric actuation, Galvanized trim, Control Panel	1/2HP	53011501A3	
2"	Red-E DV-5A - 2" Double Interlock Preaction with Electric/Electric actuation, Galvanized trim, Control Panel	1/6HP	53021501A1	
2"	Red-E DV-5A - 2" Double Interlock Preaction with Electric/Electric actuation, Galvanized trim, Control Panel	1/3HP	53021501A2	
2"	Red-E DV-5A - 2" Double Interlock Preaction with Electric/Electric actuation, Galvanized trim, Control Panel	1/2HP	53021501A3	
3"	Red-E DV-5A - 3" Double Interlock Preaction with Electric/Electric actuation, Galvanized trim, Control Panel	1/6HP	53031501A1	
3"	Red-E DV-5A - 3" Double Interlock Preaction with Electric/Electric actuation, Galvanized trim, Control Panel	1/3HP	53031501A2	
3"	Red-E DV-5A - 3" Double Interlock Preaction with Electric/Electric actuation, Galvanized trim, Control Panel	1/2HP	53031501A3	
4"	Red-E DV-5A - 4" Double Interlock Preaction with Electric/Electric actuation, Galvanized trim, Control Panel	1/6HP	53041501A1	
4"	Red-E DV-5A - 4" Double Interlock Preaction with Electric/Electric actuation, Galvanized trim, Control Panel	1/3HP	53041501A2	
4"	Red-E DV-5A - 4" Double Interlock Preaction with Electric/Electric actuation, Galvanized trim, Control Panel	1/2HP	53041501A3	
4"	Red-E DV-5A - 4" Double Interlock Preaction with Electric/Electric actuation, Galvanized trim, Control Panel	3/4HP	53041501A4	
4"	Red-E DV-5A - 4" Double Interlock Preaction with Electric/Electric actuation, Galvanized trim, Control Panel	1HP	53041501A5	
4"	Red-E DV-5A - 4" Double Interlock Preaction with Electric/Electric actuation, Galvanized trim, Control Panel	1-1/2HP	53041501A6	
4"	Red-E DV-5A - 4" Double Interlock Preaction with Electric/Electric actuation, Galvanized trim, Control Panel	2HP	53041501A7	

Continued next page



# National Fire Equipment Ltd.

## Preaction Systems Order Form

Date: \_\_\_\_\_

Customer Order#: \_\_\_\_\_

**BILL THIS ORDER TO:**

Name: \_\_\_\_\_  
 Address: \_\_\_\_\_  
 City: \_\_\_\_\_ Prov: \_\_\_\_\_  
 Phone: \_\_\_\_\_ Postal Code: \_\_\_\_\_  
 Attention: \_\_\_\_\_

**SHIP THIS ORDER TO:**

Name: \_\_\_\_\_  
 Address: \_\_\_\_\_  
 City: \_\_\_\_\_ Prov: \_\_\_\_\_  
 Phone: \_\_\_\_\_ Postal Code: \_\_\_\_\_  
 Attention: \_\_\_\_\_

**Red-E Cabinet With DV-5A Deluge Valve,  
Preaction, Single Interlock, Double Interlock and Deluge Packages (cont.)**

<b>Double Interlock Preaction, Electric/Electric Actuation with Panel</b>				
Size	Description	Compressor	Part No.	Qty:
6"	Red-E DV-5A - 6" Double Interlock Preaction with Electric/Electric actuation, Galvanized trim, Control Panel	1/6HP	53061501A1	
6"	Red-E DV-5A - 6" Double Interlock Preaction with Electric/Electric actuation, Galvanized trim, Control Panel	1/3HP	53061501A2	
6"	Red-E DV-5A - 6" Double Interlock Preaction with Electric/Electric actuation, Galvanized trim, Control Panel	1/2HP	53061501A3	
6"	Red-E DV-5A - 6" Double Interlock Preaction with Electric/Electric actuation, Galvanized trim, Control Panel	3/4HP	53061501A4	
6"	Red-E DV-5A - 6" Double Interlock Preaction with Electric/Electric actuation, Galvanized trim, Control Panel	1HP	53061501A5	
6"	Red-E DV-5A - 6" Double Interlock Preaction with Electric/Electric actuation, Galvanized trim, Control Panel	1-1/2HP	53061501A6	
6"	Red-E DV-5A - 6" Double Interlock Preaction with Electric/Electric actuation, Galvanized trim, Control Panel	2HP	53061501A7	





Date: \_\_\_\_\_

Customer Order#: \_\_\_\_\_

**BILL THIS ORDER TO:**

Name: \_\_\_\_\_  
 Address: \_\_\_\_\_  
 City: \_\_\_\_\_ Prov: \_\_\_\_\_  
 Phone: \_\_\_\_\_ Postal Code: \_\_\_\_\_  
 Attention: \_\_\_\_\_

**SHIP THIS ORDER TO:**

Name: \_\_\_\_\_  
 Address: \_\_\_\_\_  
 City: \_\_\_\_\_ Prov: \_\_\_\_\_  
 Phone: \_\_\_\_\_ Postal Code: \_\_\_\_\_  
 Attention: \_\_\_\_\_

**Red-E Cabinet With DV-5A Deluge Valve,  
Preaction, Single Interlock, Double Interlock and Deluge Packages**

**Double Interlock Preaction, Electric/Electric Actuation, No Panel**

Size	Description	Compressor	Part No.	Qty:
1-1/2"	Red-E DV-5A - 1 1/2" Double Interlock Preaction with Electric/Electric actuation, Galvanized trim, No Control Panel	1/6HP	5301150101	
1-1/2"	Red-E DV-5A - 1 1/2" Double Interlock Preaction with Electric/Electric actuation, Galvanized trim, No Control Panel	1/3HP	5301150102	
1-1/2"	Red-E DV-5A - 1 1/2" Double Interlock Preaction with Electric/Electric actuation, Galvanized trim, No Control Panel	1/2HP	5301150103	
2"	Red-E DV-5A - 2" Double Interlock Preaction with Electric/Electric actuation, Galvanized trim, No Control Panel	1/6HP	5302150101	
2"	Red-E DV-5A - 2" Double Interlock Preaction with Electric/Electric actuation, Galvanized trim, No Control Panel	1/3HP	5302150102	
2"	Red-E DV-5A - 2" Double Interlock Preaction with Electric/Electric actuation, Galvanized trim, No Control Panel	1/2HP	5302150103	
3"	Red-E DV-5A - 3" Double Interlock Preaction with Electric/Electric actuation, Galvanized trim, No Control Panel	1/6HP	5303150101	
3"	Red-E DV-5A - 3" Double Interlock Preaction with Electric/Electric actuation, Galvanized trim, No Control Panel	1/3HP	5303150102	
3"	Red-E DV-5A - 3" Double Interlock Preaction with Electric/Electric actuation, Galvanized trim, No Control Panel	1/2HP	5303150103	
4"	Red-E DV-5A - 4" Double Interlock Preaction with Electric/Electric actuation, Galvanized trim, No Control Panel	1/6HP	5304150101	
4"	Red-E DV-5A - 4" Double Interlock Preaction with Electric/Electric actuation, Galvanized trim, No Control Panel	1/3HP	5304150102	
4"	Red-E DV-5A - 4" Double Interlock Preaction with Electric/Electric actuation, Galvanized trim, No Control Panel	1/2HP	5304150103	
4"	Red-E DV-5A - 4" Double Interlock Preaction with Electric/Electric actuation, Galvanized trim, No Control Panel	3/4HP	5304150104	
4"	Red-E DV-5A - 4" Double Interlock Preaction with Electric/Electric actuation, Galvanized trim, No Control Panel	1HP	5304150105	
4"	Red-E DV-5A - 4" Double Interlock Preaction with Electric/Electric actuation, Galvanized trim, No Control Panel	1-1/2HP	5304150106	
4"	Red-E DV-5A - 4" Double Interlock Preaction with Electric/Electric actuation, Galvanized trim, No Control Panel	2HP	5304150107	

Continued next page



# National Fire Equipment Ltd.

## Preaction Systems Order Form

Date: \_\_\_\_\_

Customer Order#: \_\_\_\_\_

**BILL THIS ORDER TO:**

Name: \_\_\_\_\_  
 Address: \_\_\_\_\_  
 City: \_\_\_\_\_ Prov: \_\_\_\_\_  
 Phone: \_\_\_\_\_ Postal Code: \_\_\_\_\_  
 Attention: \_\_\_\_\_

**SHIP THIS ORDER TO:**

Name: \_\_\_\_\_  
 Address: \_\_\_\_\_  
 City: \_\_\_\_\_ Prov: \_\_\_\_\_  
 Phone: \_\_\_\_\_ Postal Code: \_\_\_\_\_  
 Attention: \_\_\_\_\_

<b>Red-E Cabinet With DV-5A Deluge Valve, Preaction, Single Interlock, Double Interlock and Deluge Packages (cont.)</b>				
<b>Double Interlock Preaction, Electric/Electric Actuation, No Panel</b>				
Size	Description	Compressor	Part No.	Qty:
6"	Red-E DV-5A - 6" Double Interlock Preaction with Electric/Electric actuation, Galvanized trim, No Control Panel	1/6HP	5306150101	
6"	Red-E DV-5A - 6" Double Interlock Preaction with Electric/Electric actuation, Galvanized trim, No Control Panel	1/3HP	5306150102	
6"	Red-E DV-5A - 6" Double Interlock Preaction with Electric/Electric actuation, Galvanized trim, No Control Panel	1/2HP	5306150103	
6"	Red-E DV-5A - 6" Double Interlock Preaction with Electric/Electric actuation, Galvanized trim, No Control Panel	3/4HP	5306150104	
6"	Red-E DV-5A - 6" Double Interlock Preaction with Electric/Electric actuation, Galvanized trim, No Control Panel	1HP	5306150105	
6"	Red-E DV-5A - 6" Double Interlock Preaction with Electric/Electric actuation, Galvanized trim, No Control Panel	1-1/2HP	5306150106	
6"	Red-E DV-5A - 6" Double Interlock Preaction with Electric/Electric actuation, Galvanized trim, No Control Panel	2HP	5306150107	
<b>Technical Data Sheets: Delge - TFP1301,Preaction - TFP1401</b>				