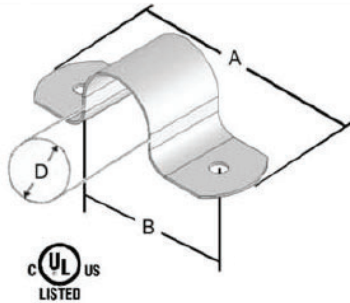




# National Fire Equipment Ltd.

## MODEL 070 CPVC TWO-HOLE PIPE STRAPS

Fig. 70  
CPVC Two-Hole  
Pipe Strap



**FUNCTION:** Designed to support CPVC pipe horizontally from the side or bottom of beam. Fig.070 can only be used as a guide on top of beam or on vertical piping. Fig. 070 also acts as a restrainer to prevent the thrust of a sprinkler head during activation when mounted on top of structure. Fig. 070 may be installed onto wood using supplied fasteners or into, minimum 20 gauge, steel using two 1/4" X 1" tek type screws. Features flared edges to protect piping as it slides through the installed fitting and retaining dimples to allow for easy installation onto pipe.

**SIZE:** 3/4" (20) through 2" (50) CPVC pipe

**FINISH:** Preogalvanized

**MATERIAL:** Carbon Steel

**APPROVALS:** Underwriters Laboratories listed for US and Canada

**ORDERING:** Specify pipe size and model number.

PIPE SIZE		A		B		D NOMINAL		MATERIAL SIZE		BOX QTY.	MAX SPACING		APPX. WT.	
											ft.	m.	lbs.	kg
3/4	(20)	3 1/16	(77.79)	2 3/16	(55.56)	1.050	(26.67)	20ga x 1 1 1/8	(.89 x 28.58)	100	5.5	(1.68)	7.50	(3.40)
1	(25)	3 3/8	(85.73)	2 1/2	(63.50)	1.315	(33.40)	20ga x 1 1 1/8	(.89 x 28.58)	100	6	(1.83)	8.20	(3.72)
1 1/4	(32)	3 3/4	(95.25)	2 7/8	(73.03)	1.660	(42.16)	20ga x 1 1 1/8	(.89 x 28.58)	100	6.5	(1.98)	9.40	(4.26)
1 1/2	(40)	4 1/8	(104.78)	3 1/4	(82.55)	1.900	(48.26)	20ga x 1 1 1/8	(.89 x 28.58)	100	7	(2.13)	10.40	(4.72)
2	(50)	4 3/8	(111.13)	3 1/2	(88.90)	2.375	(60.33)	20ga x 1 1 1/8	(.89 x 28.58)	100	8	(2.44)	11.90	(5.40)

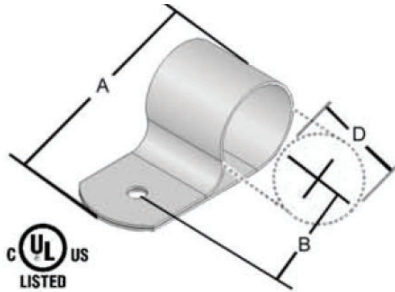
20ga. = 0.035" nominal



# National Fire Equipment Ltd.

## MODEL 075 CPVC ONE-HOLE WRAP AROUND

Fig. 75  
CPVC One-Hole  
Wrap Around



**FUNCTION:** Designed to support CPVC pipe horizontally from the side of a beam. Fig. 075 must be installed with the mounting tab oriented over top of piping on the side of a beam. Fig. 075 can only be used as a guide on top of beam or on vertical piping. Fig. 075 may be installed onto wood using supplied fasteners or into, minimum 20 gauge, steel using one 1/4" X 1" tek type screw. Features flared edges to protect piping as it slides through the installed fitting.

**SIZE:** 3/4" (20) through 2" (50) CPVC pipe

**FINISH:** Pm-galvanized

**MATERIAL:** Carbon Steel

**APPROVALS:** Underwriters Laboratories listed for US and Canada

**ORDERING:** Specify pipe size and model number.

PIPE SIZE		A		B		D NOMINAL		MATERIAL SIZE		BOX QTY.	MAX SPACING		APPX. WT.	
											ft.	m.	lbs.	kg
3/4	(20)	2 3/8	(60.33)	1 3/8	(34.93)	1.050	(26.67)	20ga x 1 1/8	(.79 x 28.58)	100	5.5	(1.68)	8.70	(3.95)
1	(25)	2 5/8	(66.68)	1 7/16	(36.51)	1.315	(33.40)	20ga x 1 1/8	(.79 x 28.58)	100	6	(1.83)	9.40	(4.26)
1 1/4	(32)	2 7/8	(73.03)	1 9/16	(39.69)	1.660	(42.16)	20ga x 1 1/8	(.79 x 28.58)	100	6.5	(1.98)	11.00	(4.99)
1 1/2	(40)	3 1/16	(77.79)	1 5/8	(41.28)	1.900	(48.26)	20ga x 1 1/8	(.79 x 28.58)	100	7	(2.13)	11.90	(5.40)
2	(50)	3 7/16	(87.31)	1 13/16	(46.04)	2.375	(60.33)	20ga x 1 1/8	(.79 x 28.58)	100	8	(2.44)	14.10	(6.40)

20ga. = 0.035" nominal



National Fire  
Equipment Ltd.

TORONTO: (905) 761-6355  
Toll Free: (800) 267-8508

OTTAWA: (613) 723-6071

VANCOUVER: (604) 420-1131  
Toll Free: (800)-667-2138

BURNABY: (604)-299-4498

EDMONTON: (780) 455-3870  
Toll Free: (888)-891-1008

CALGARY: (403) 236-5661

MONCTON: (506) 859-7277  
Toll Free: (877) 816-3473

MISSISSAUGA: (905) 565-1385

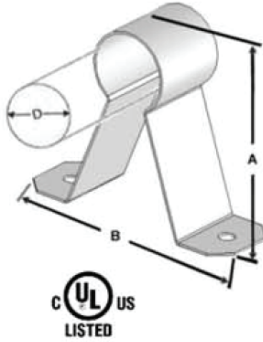
[www.nationalfire.com](http://www.nationalfire.com)



# National Fire Equipment Ltd.

## MODEL 076 CPVC TWO-HOLE STAND OFF STRAP

Fig. 76  
CPVC Two-Hole  
Stand Off Strap



**FUNCTION:** Designed to support CPVC pipe horizontally from the side or bottom of beam, or composite wood joists with a minimum of 3/8" web thickness. Fig. 076 can only be used as a guide on top of beam or on vertical piping. Fig. 076 may be installed onto wood using supplied fasteners or into, minimum 18 gauge, steel using two 1/4" X 1" tek type screws. Features flared edges to protect piping as it slides through the installed fitting.

**SIZE:** 3/4" (20) through 2" (50) CPVC pipe

**FINISH:** Pre-galvanized

**MATERIAL:** Carbon Steel

**APPROVALS:** Underwriters Laboratories listed for US and Canada

**ORDERING:** Specify pipe size and model number.

PIPE SIZE		A		B		D NOMINAL		MATERIAL SIZE		BOX QTY.	MAX SPACING		APPX. WT.	
											ft.	m.	lbs.	kg
3/4	(20)	2 9/16	(65.09)	4 1/4	(107.95)	1.050	(26.67)	20ga x 1 1/8	(.79 x 28.58)	100	5.5	(1.68)	12.10	(5.49)
1	(25)	2 13/16	(71.44)	4 1/2	(114.30)	1.315	(33.40)	20ga x 1 1/8	(.79 x 28.58)	100	6	(1.83)	12.80	(5.81)
1 1/4	(32)	3 3/16	(80.96)	4 5/8	(117.48)	1.660	(42.16)	20ga x 1 1/8	(.79 x 28.58)	100	6.5	(1.98)	14.10	(6.40)
1 1/2	(40)	3 7/16	(87.31)	5	(127.00)	1.900	(48.26)	20ga x 1 1/8	(.79 x 28.58)	100	7	(2.13)	15.20	(6.89)
2	(50)	3 7/8	(98.43)	5	(127.00)	2.375	(60.33)	20ga x 1 1/8	(.79 x 28.58)	100	8	(2.44)	16.40	(7.44)

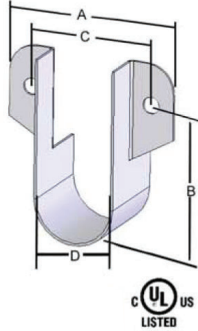
20ga. = 0.035" nominal



# National Fire Equipment Ltd.

## MODEL 077 CPVC TWO-HOLE SIDE MOUNT STRAP

Fig. 77  
CPVC Two-Hole  
Side Mount Strap



**FUNCTION:** Designed to support CPVC pipe horizontally from the side or bottom of beam. Fig. 077 can only be used as a guide on top of beam or on vertical piping. Fig. 077 also acts as a restrainer to prevent the thrust of a sprinkler head during activation when mounted on top of structure. Fig. 077 may be installed onto wood using supplied fasteners or into minimum 20 gauge, steel using two 1/4" X 1" tck type screws. Features flared edges to protect piping and retaining dimples to allow for easy installation onto PIPE.

**SIZE:** 3/4" (20) through 2" (50) CPVC pipe

**FINISH:** Pre-galvanized

**MATERIAL:** Carbon Steel

**APPROVALS:** Underwriters Laboratories listed for US and Canada

**ORDERING:** Specify pipe size and model number.

PIPE SIZE		A		B		C		D		MATERIAL SIZE		BOX QTY.	MAX SPACING		APPX. WT.	
													ft.	m.	lbs.	kg
3/4	(20)	3 1/16	(58.74)	1 7/8	(47.63)	1 11/16	(42.86)	1.050	(26.67)	20ga x 1 1/8	(.79 x 28.58)	100	5.5	(1.68)	8.50	(3.86)
1	(25)	3 3/8	(65.09)	2 3/16	(55.56)	1 15/16	(49.21)	1.315	(33.40)	20ga x 1 1/8	(.79 x 28.58)	100	6	(1.83)	9.40	(4.26)
1 1/4	(32)	3 3/4	(74.61)	2 1/2	(63.50)	2 5/6	(58.74)	1.660	(42.16)	20ga x 1 1/8	(.79 x 28.58)	100	6.5	(1.98)	10.40	(4.72)
1 1/2	(40)	4 1/8	(82.55)	2 13/16	(71.44)	2 5/8	(66.68)	1.900	(48.26)	20ga x 1 1/8	(.79 x 28.58)	100	7	(2.13)	11.30	(5.13)
2	(50)	4 3/8	(92.08)	3 1/4	(82.55)	3	(76.20)	2.375	(60.33)	20ga x 1 1/8	(.79 x 28.58)	100	8	(2.44)	13.20	(5.99)

20ga. = 0.035" nominal



National Fire  
Equipment Ltd.

TORONTO: (905) 761-6355  
Toll Free: (800) 267-8508

OTTAWA: (613) 723-6071

VANCOUVER: (604) 420-1131  
Toll Free: (800)-667-2138

BURNABY: (604)-299-4498

EDMONTON: (780) 455-3870  
Toll Free: (888)-891-1008

CALGARY: (403) 236-5661

MONCTON: (506) 859-7277  
Toll Free: (877) 816-3473

MISSISSAUGA: (905) 565-1385

www.nationalfire.com