



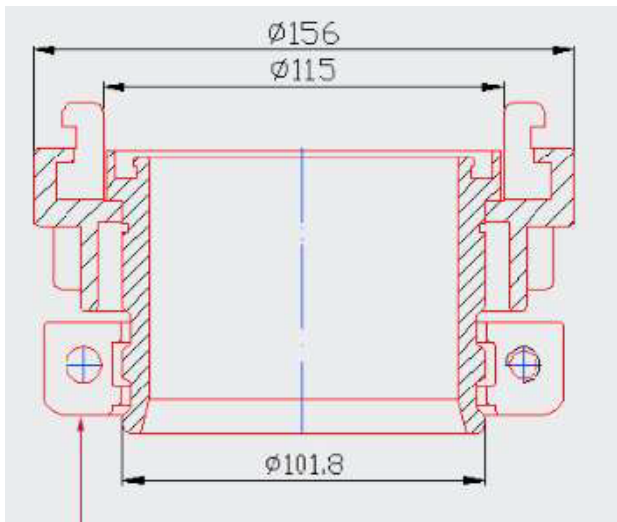
**STORZ COUPLINGS**



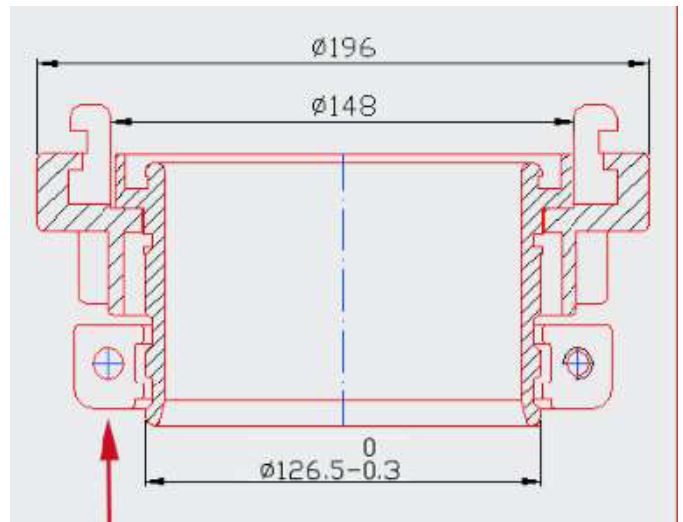
National Fire Equipment Ltd. offers a high quality aluminum Storz couplings with 3 part collars and locking device, 2 ends and is sold per set. Available in 4" and 5"\*. Reattachable in the field, requires only an allen key wrench to assemble or disassemble.

size	LUG	Shank OD	material		weight kg/set	Working pressure	Burst pressure
			collar	body			
4"	115mm	101.8mm	aluminum alloy 6061	A356	3.3	16bar	48bar
5"	148mm	126.5mm	aluminum alloy 6061	A356	5	16bar	48bar

4" Storz



5" Storz



\*4" is a stocking size. 5" is special order. Contact customer service for more information.