



# National Fire Equipment Ltd.

## WB-ABS HEAVY DUTY CABINETS

Ideal for use in outdoor environments. The WB-ABS cabinet has anti-UV properties and a neoprene gasket for a water resistant seal. 2x latches with built in hasps for padlock (not incl.) if required. 2x Plexi windows ensures good visibility of equipment and overall door strength.



### Parts

- 1 Door
- 2 Acrylic Viewing Panels
- 3-5 Woven Nylon Restraining Strap & Tension Buckle
- 6 Tub
- 7-10 Buckle (x2)
- 11 Neoprene Gasket Seal
- 12 Base Plate

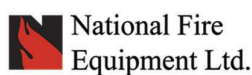
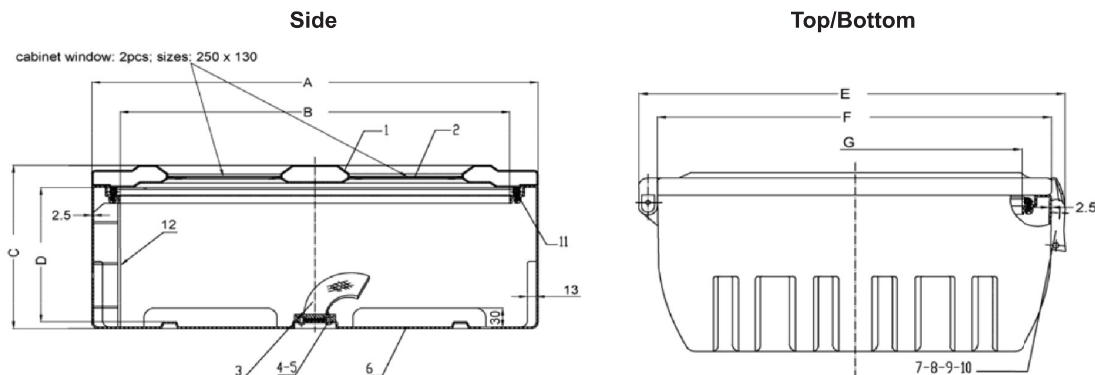
### Construction Specifications:

- 2.5MM ABS Construction
- Black Tub/ Red Door
- Neoprene Gasket
- 2x Snap Closures
- 2x Clear Acrylic Viewing Panels



| Model   | Description  | Measurements (mm) |     |     |     |     |     |     |
|---------|--|-------------------|-----|-----|-----|-----|-----|-----|
|         |  | A                 | B   | C   | D   | E   | F   | G   |
| WB-ABS1 | 1x 20lb Dry Chemical Fire Extinguisher   | 830               | 750 | 260 | 215 | 320 | 280 | 200 |
| WB-ABS2 | 2x 20lb Dry Chemical Fire Extinguishers or 75ft 1 1/2" Rack Hose w/ 1 1/2" Angle Valve | 710               | 620 | 270 | 200 | 580 | 530 | 430 |

### Section Detail (mm):



TORONTO: (905) 761-6355  
Toll Free: (800) 267-8508  
OTTAWA: (613) 723-6071

VANCOUVER: (604) 420-1131  
Toll Free: (800)-667-2138  
BURNABY: (604)-299-4498

EDMONTON: (780) 455-3870  
Toll Free: (888)-891-1008  
CALGARY: (403) 236-5661

MONCTON: (506) 859-7277  
Toll Free: (877) 816-3473  
MISSISSAUGA: (905) 565-1385

[www.nationalfire.com](http://www.nationalfire.com)