



# National Fire Equipment Ltd.



**MODEL 375, 475 & 475V**  
**Lead-Free\* Reduced Pressure Principle – Backflow Preventers 2-1/2" & 3"**

*\*This product contains a weighted average lead content less than 0.25% for wetted surfaces.*

Item Number	Description	2-1/2"	3"
1	GATE VALVE, NRS	212-48	3-48
	GATE VALVE, OS&Y	212-48OSY	3-48OSY
	GATE VALVE, OS&Y (F&G)	212-48OSYGXF	3-48OSYGXF
2	BOLT, FLANGE	558-11D	558-11D
3	NUT, FLANGE	558-9	558-9
4	GASKET, FLANGE	557-13	558-13
5	O-RING, CONTROL UNIT	032N	032N
6	RELIEF VALVE ASSY	3707-CU-XL	3707-CU-XL
7	BOLT, RELIEF VALVE	554-11A	554-11A
8	SEAT RETAINER #2	3507-14G	3507-14G
9	SEAT RETAINER #1	3507-14F	3507-14F
10	COVER	3507-3C	3507-3C
11	COVER RETAINER ASSY	5-23	5-23
12	BULKHEAD FITTING ASSY	BHF1CXL-100	BHF1CXL-100
13	BALL VALVE	12-850XL	12-850XL
14	COUPLING	12-51	12-51
15	NIPPLE, LONG	558-21B	558-21B
16	PLUG	558-7	558-7
17	O-RING	245N	245N
18	NUT, POPPET RETAINER	3507-9	3507-9
19	HANDLE, #1 POPPET ASSY	3507-14E	3507-14E
20	WASHER	3507-14D	3507-14D
21	O-RING	WK-111N	WK-111N
22	POPPET RETAINER	3507-14	3507-14
23	SEAL RING	3507-12	3507-12
24	SEAT ASSEMBLY, #1 POPPET	<b>3707-300</b>	<b>3707-300</b>
25	SEAT ASSEMBLY, #2 POPPET	3507-180A	3507-180A
26	#1 CHECK ASSEMBLY	<b>3507-300</b>	<b>3507-300</b>
27	#2 CHECK ASSEMBLY	<b>3507-300A</b>	<b>3507-300A</b>
28	BULKHEAD FITTING ASSY	BHF1BXL-100	BHF1BXL-100
29	SENSING TUBE FITTING, CU COVER	5758A-36	5758A-36
30	SENSING TUBE FITTING, BODY	3709-29	3709-29
31	SENSING TUBE	3707-36	3707-36
32	BALL VALVE	12-850MXL	12-850MXL
33	BULKHEAD FITTING, GASKET	BHF1-13	BHF1-13
34	GASKET, COVER RETAINER	5-23-13	5-23-13

## Repair Kit

**RK212-350**

**Size 2-1/2, 3"**

Part Number	Qty.	Description
3507-12	2	SEAL RING
245N	2	O-RING
WK-111N	2	O-RING



**National Fire  
Equipment Ltd.**

TORONTO: (905) 761-6355  
Toll Free: (800) 267-8508

OTTAWA: (613) 723-6071

VANCOUVER: (604) 420-1131  
Toll Free: (800)-667-2138

BURNABY: (604)-299-4498

EDMONTON: (780) 455-3870  
Toll Free: (888)-891-1008

CALGARY: (403) 236-5661

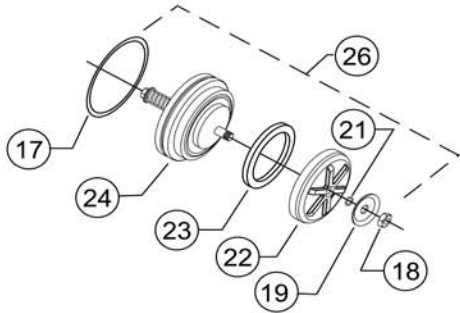
MONCTON: (506) 859-7277  
Toll Free: (877) 816-3473

MISSISSAUGA: (905) 565-1385

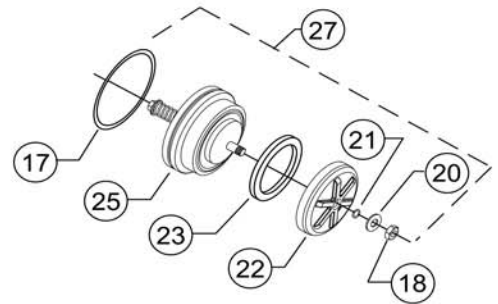
[www.nationalfire.com](http://www.nationalfire.com)

# MODEL 375, 475 & 475V – 2-1/2" & 3"

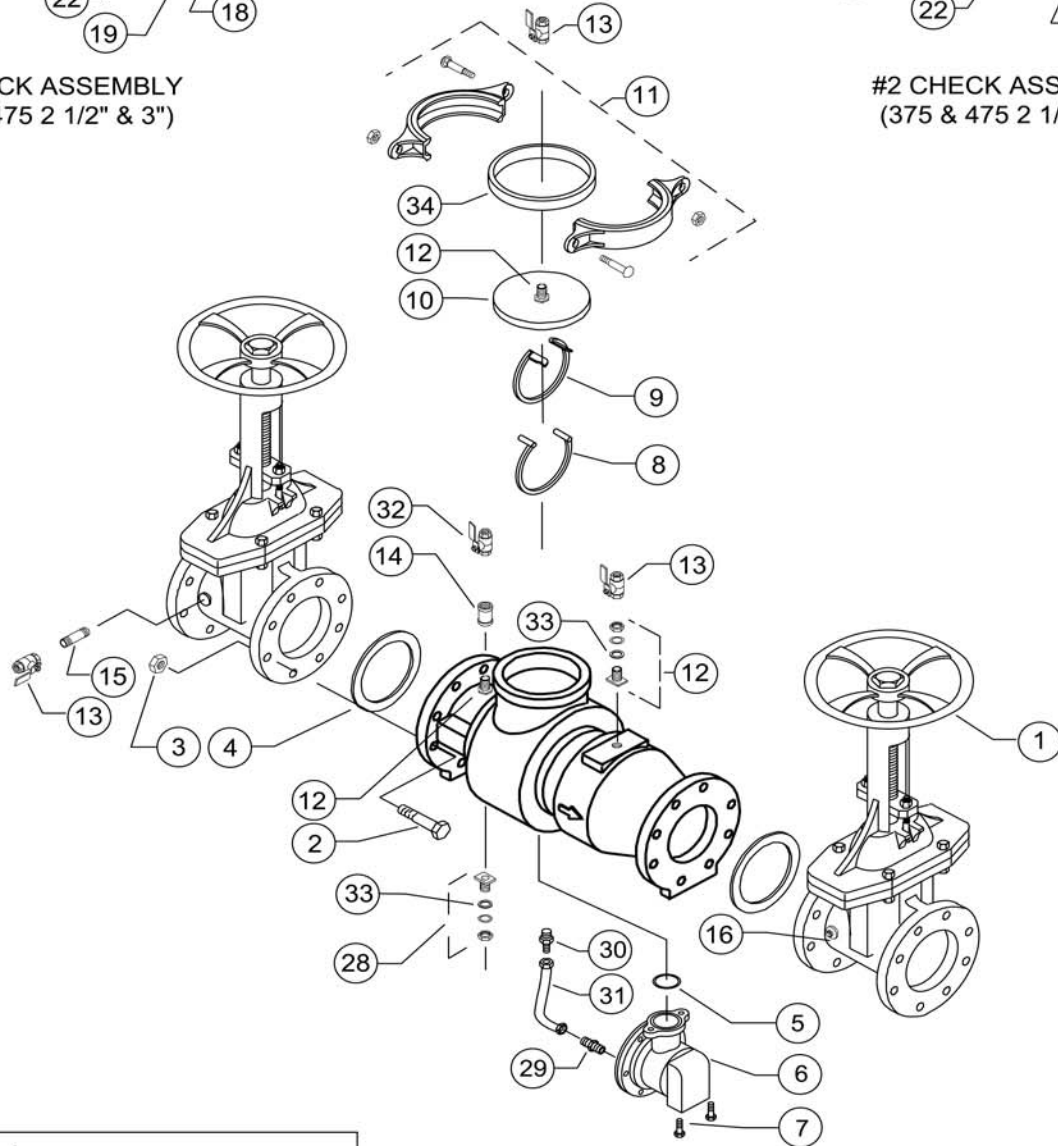
## Parts Drawing



#1 CHECK ASSEMBLY  
(375 & 475 2 1/2" & 3")



#2 CHECK ASSEMBLY  
(375 & 475 2 1/2" & 3")



MODEL 375  
(2 1/2"-3")

