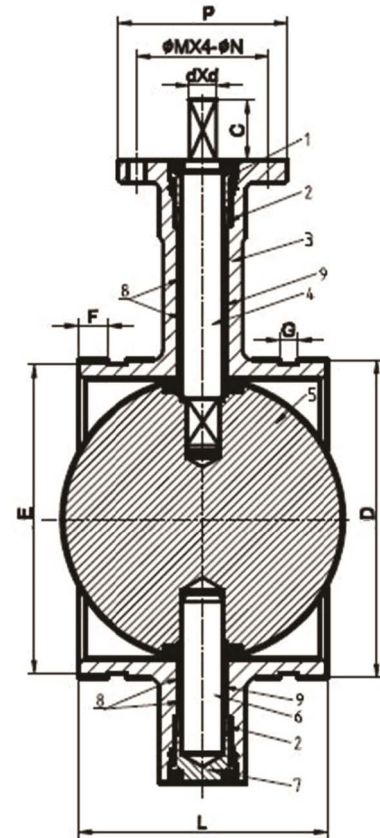
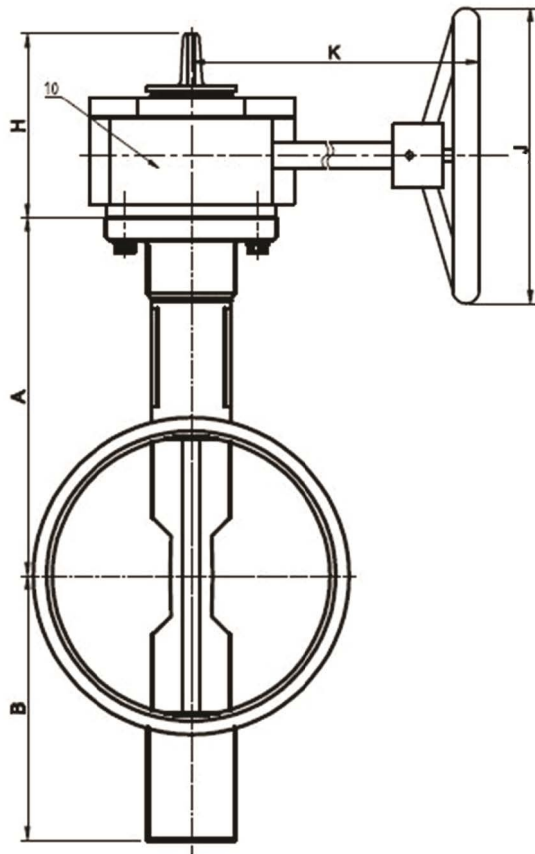


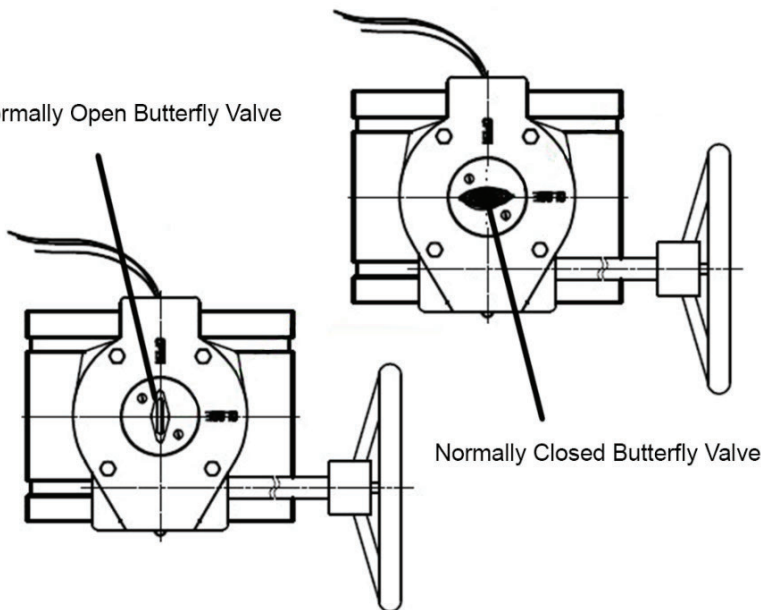


National Fire Equipment Ltd.

Model BFGO & BFGC Groove Supervised
Butterfly Valve 2.5" - 8" (300PSI) (Normally Open & Closed)



Normally Open Butterfly Valve



Normally Closed Butterfly Valve

10	Gear Box		
9	O-ring	EPDM	
8	Stem Bushing	PTFE/C954	
7	Lower Shaft Sealing Nut	WCB	ASTM A216
6	lower Shaft	SS416	ASTM A582
5	Disc	DI+EPDM	
4	Upper Shaft	SS416	ASTM582
3	Body	DI	ASTM 536
2	Shaft Seal	EPDM	ASTM D2000
1	Upper Shaft Sealing Nut	WCB	ASTM A216
NO	Name	Material	Remark

Disc Standard	API 609
Groove Class	ASI/AWWA C 606
Flange Standard	IS05211
Test Standard	API 598

Electrical Contact information

3. Rating: IBC IP40

4. Type: RV-162-1C25

Valve is painted epoxy powder coating

Meets the requirements of NSF/ANSI Standard 61

Max working pressure: 300 PSI (Max testing pressure : 600 PSI)

*All valves are UL/ULC listed and F.M. approved up to 300 PSI



National Fire
Equipment Ltd.

TORONTO: (905) 761-6355
Toll Free: (800) 267-8508

OTTAWA: (613) 723-6071

VANCOUVER: (604) 420-1131
Toll Free: (800)-667-2138

BURNABY: (604)-299-4498

EDMONTON: (780) 455-3870
Toll Free: (888)-891-1008

CALGARY: (403) 236-5661

MONCTON: (506) 859-7277
Toll Free: (877) 816-3473

MISSISSAUGA: (905) 565-1385

www.nationalfire.com

05062026



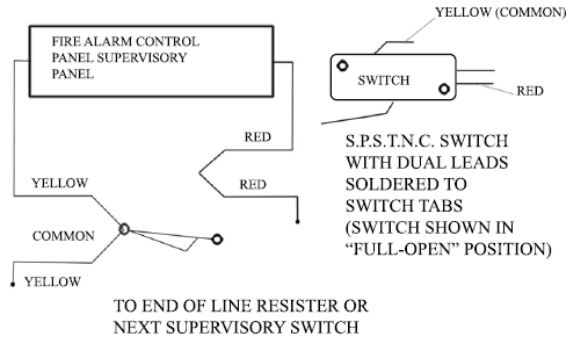
National Fire Equipment Ltd.

**Model BFGO & BFGC Groove Supervised
Butterfly Valve 2.5" - 8" (300PSI) (Normally Open & Closed)**

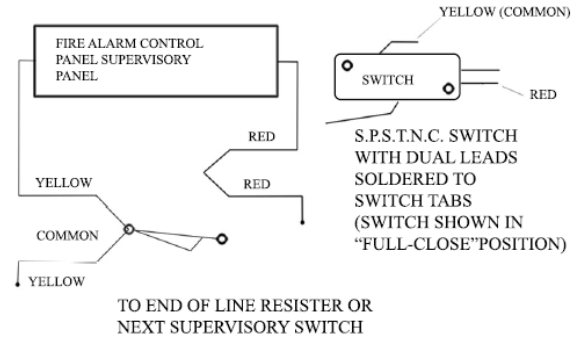
FULLY OPEN

FULLY CLOSE

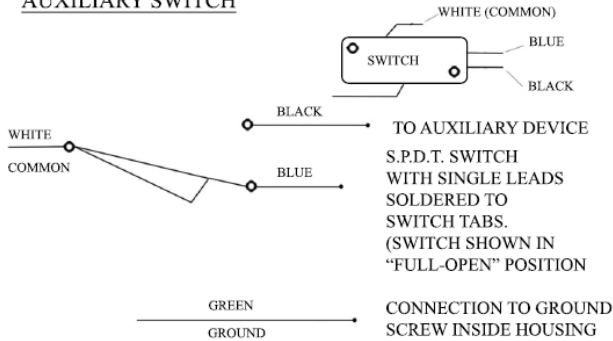
SUPERVISORY SWITCH



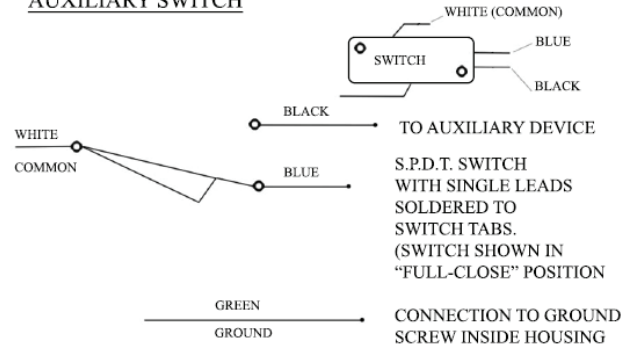
SUPERVISORY SWITCH



AUXILIARY SWITCH



AUXILIARY SWITCH

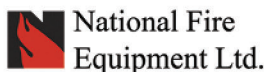


Dimension Chart in mm

Part Number	Size	A	B	C	D	E	F	G	H	K	J	P	M	N	d	L	
BFGO250 BFGC250	2.5"	125	95	32	73 76.1	69.1 72.3	15.9	7.9	111	153	218	152	90	70	9	10	96.4
BFGO300 BFGC300	3"	140	100	32	88.9	84.9	15.9	7.9	111	153	218	152	90	70	9	11	97
BFGO400 BFGC400	4"	160	100	32	114.3	110.1	15.9	9.5	111	153	218	152	90	70	9	14	115.1
BFGO600 BFGC600	6"	190	140	32	165.1 168.3	160.9 164	15.9	9.5	111	153	218	200	90	70	9	16	132.4
BFGO800 BFGC800	8"	230	175	32	219.1 216.3	214.4 211.6	19	11.1	126	210	232	300	125	102	12	19	147.4

No.	Description	Weight (KG)	No.	Description	Weight (KG)
BFGO250	BUTTERFLY GRV 2.5"	8.4	BFGC250	BUTTERFLY GRV 2.5" NORMALLY CLOSED	8.4
BFGO300	BUTTERFLY GRV 3"	9.1	BFGC300	BUTTERFLY GRV 3" NORMALLY CLOSED	9.1
BFGO400	BUTTERFLY GRV 4"	10.1	BFGC400	BUTTERFLY GRV 4" NORMALLY CLOSED	10.1
BFGO600	BUTTERFLY GRV 6"	14.7	BFGC600	BUTTERFLY GRV 6" NORMALLY CLOSED	14.7
BFGO800	BUTTERFLY GRV 8"	28.7	BFGC800	BUTTERFLY GRV 8" NORMALLY CLOSED	28.7

* UL/ULC Certificate Number EX16383. FM approved identification number 3044634.



TORONTO: (905) 761-6355
Toll Free: (800) 267-8508
OTTAWA: (613) 723-6071

VANCOUVER: (604) 420-1131
Toll Free: (800)-667-2138
BURNABY: (604)-299-4498
www.nationalfire.com

EDMONTON: (780) 455-3870
Toll Free: (888)-891-1008
CALGARY: (403) 236-5661

MONCTON: (506) 859-7277
Toll Free: (877) 816-3473
MISSISSAUGA: (905) 565-1385

05062026