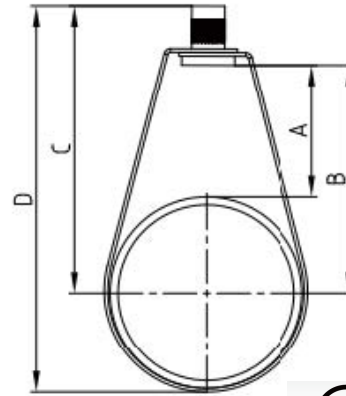




NATIONAL FIRE EQUIPMENT LTD.

SERVICE, SOLUTIONS, INNOVATION

SWIVEL RING HANGER



- Function:** Designed for the suspension of non-insulated stationary pipe lines. The knurled insert nut that allows a vertical adjustment after installation.
- Material:** Carbon steel
- Finish:** Electro-galvanized, Pre-galvanized
- Approvals:** Underwriters' Laboratories Listed in the U.S. (UL), Canada (CUL), for use with standard steel pipe sizes 3/4" to 12". Factory Mutual Approved for steel pipe sizes 3/4" to 12". Complies with Manufacturers' Standardization Society ANSI/MSS SP-58 (Type 10) which supersedes ANSI/MSS SP-69.
- Maximum Temperature:** 343° C (650° F)

Item	Size	Kurld Insert Nut		A	B	C	D	Max. Rec. Load		
		mm	in					mm	mm	mm
	1/2"	M10	3/8"-16UNC	25.33	35.98	58.48	70.39	299	135	1334
3601	3/4"	M10	3/8"-16UNC	26.47	39.82	62.32	76.93	299	135	1334
3602	1"	M10	3/8"-16UNC	27.28	43.98	66.48	84.44	299	135	1334
3603	1-1/4"	M10	3/8"-16UNC	27.58	48.68	71.18	93.54	299	135	1334
3604	1-1/2"	M10	3/8"-16UNC	26.83	50.98	73.48	98.89	299	135	1334
3605	2"	M10	3/8"-16UNC	26.53	56.68	79.18	110.59	299	135	1334
3606	2-1/2"	M10	3/8"-16UNC	50.7	87.2	109.7	147.55	339	153	1512
3607	3"	M10	3/8"-16UNC	49.63	94.08	116.58	162.74	419	189	1868
	3-1/2"	M10	3/8"-16UNC	43.28	94.08	116.58	169.09	499	225	2224
3608	4"	M10	3/8"-16UNC	49.83	106.98	129.48	188.34	599	270	2668
	5"	M12	1/2"-13UNC	55.1	125.75	154.25	227.38	799	360	3558
3609	6"	M12	1/2"-13UNC	60	144.15	172.65	259.28	1059	477	4714
3610	8"	M12	1/2"-13UNC	72.45	182	210.5	322.75	1619	729	7205
	10"	M16	5/8"-11UNC	84.5	221	256	397	2339	1053	10408
	12"	M16	5/8"-11UNC	105.05	267	302	468.45	3159	1422	14055



TORONTO HEAD OFFICE
 (905) 761-6355
 Toll Free: (800) 267-8508

VANCOUVER (604) 420-1131
 Toll Free: (800) 667-2138
OTTAWA (613) 723-6071

EDMONTON (780) 455-3870
 Toll Free: (888) 891-1008
CALGARY (403) 236-5661

MONCTON (506) 859-7277
 Toll Free: (877) 816-3473
MISSISSAUGA (905) 565-1385

www.nationalfire.com