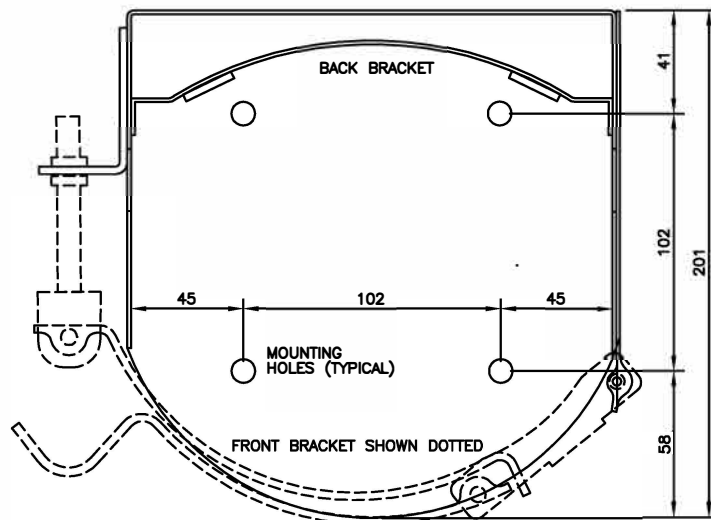
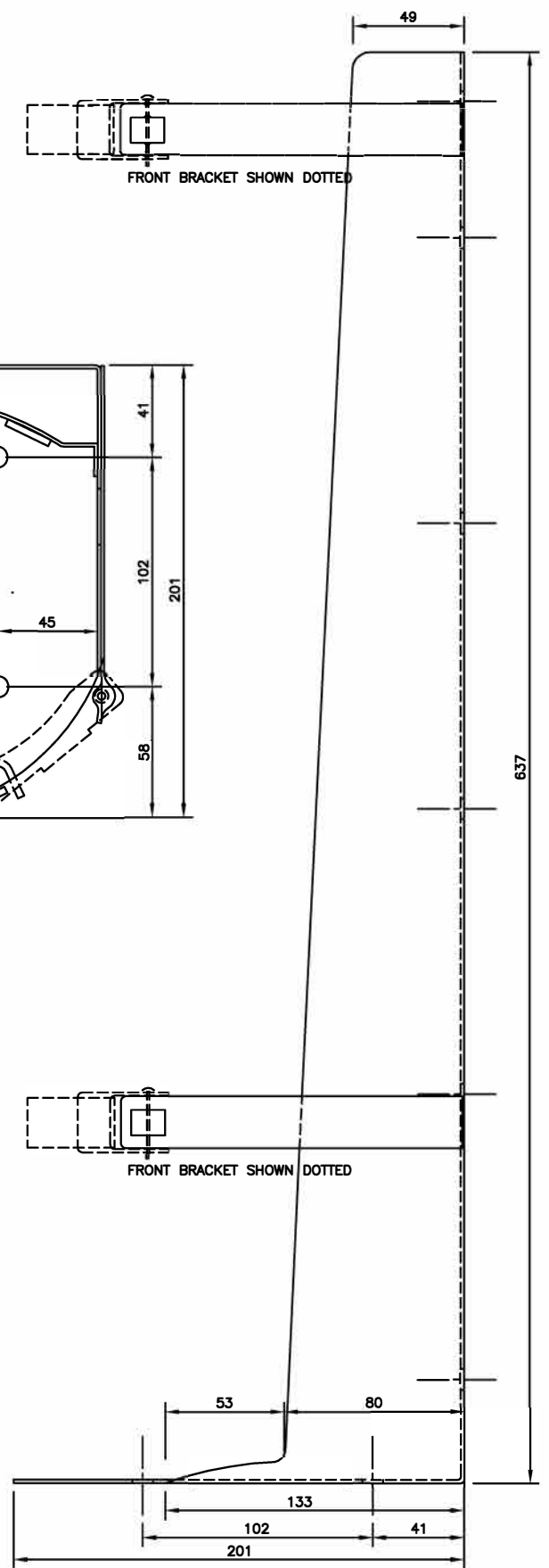


FRONT



TOP



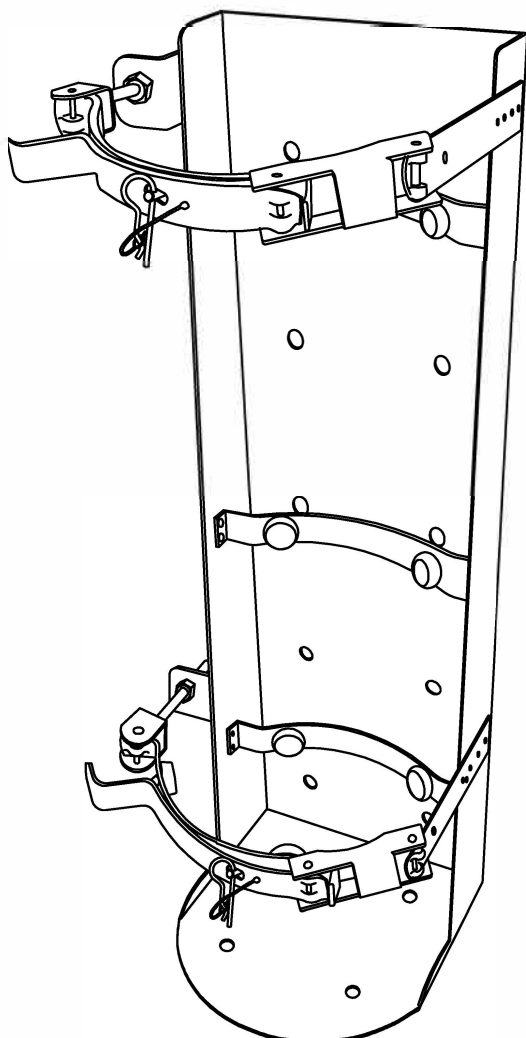
SIDE

Part # : HDVB-4
 Fits Diameter : 158.75mm - 180.97mm (6 1/4 - 7 1/8")
 For Strike First Models :

WBDL-ABC 30
SF-ABC30

HEAVY DUTY VEHICLE BRACKETS

- Strong Uni-Body Construction
- Scotchlite™ reflective label for added safety
- Stainless Steel pull pin
- Rounded corners for added safety
- Super durable polyester powder coat finish
- Individually boxed for easy handling



40 Edilcan Drive, Concord, Ontario, L4K 3S6
 Tel: 905-761-6355 Toll Free: 1-800-267-8508
 www.nationalfire.com