

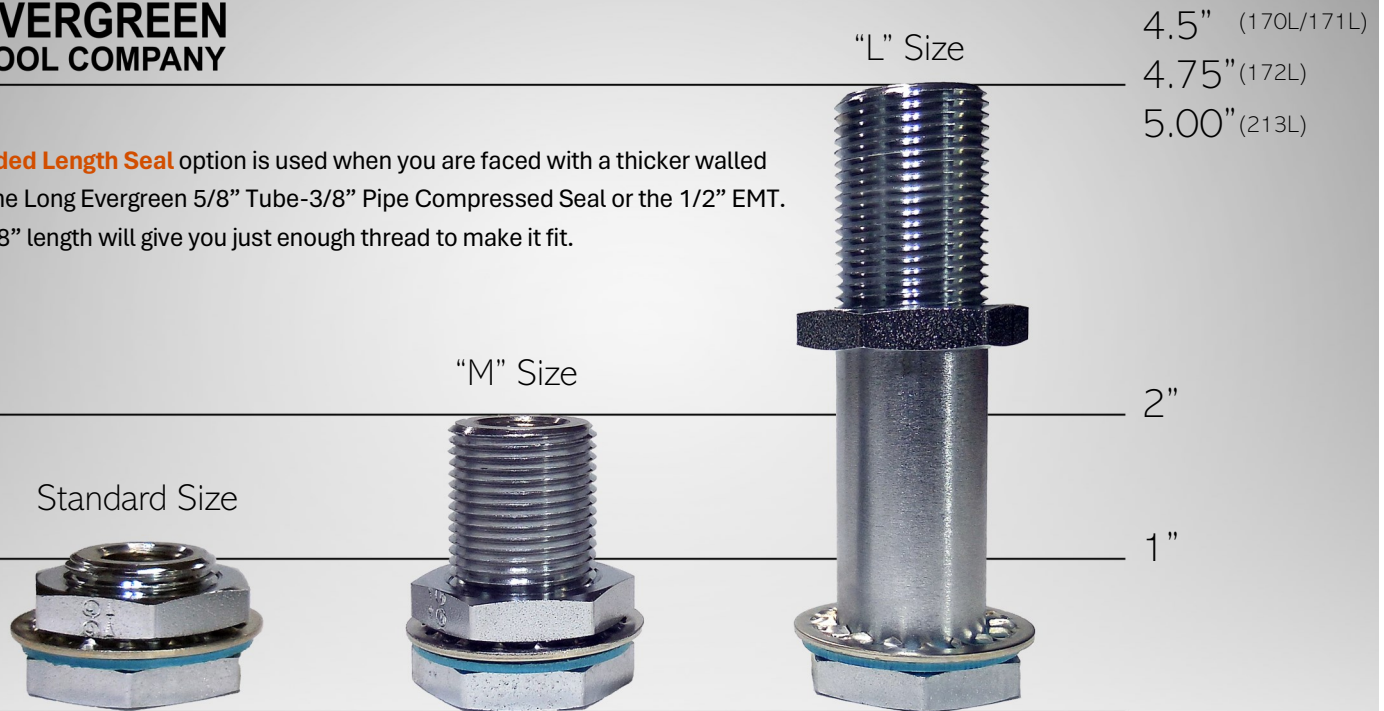
Extended Length Seals

When one size doesn't fit all, Evergreen Tool has what you need.



**EVERGREEN
TOOL COMPANY**

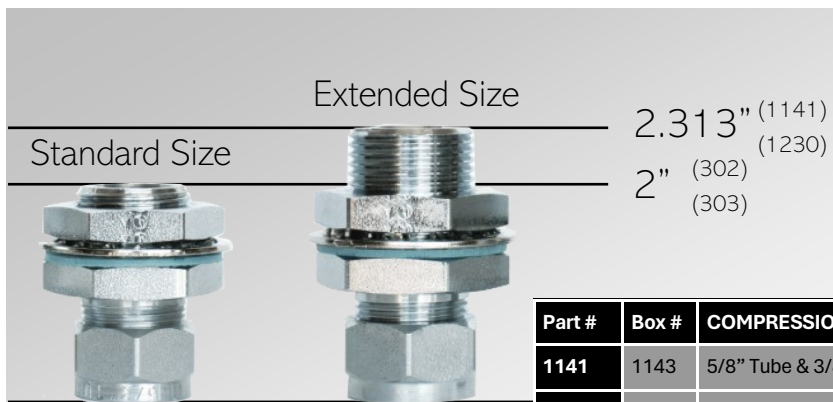
The **Extended Length Seal** option is used when you are faced with a thicker walled hood. Use the Long Evergreen 5/8" Tube-3/8" Pipe Compressed Seal or the 1/2" EMT. The extra 3/8" length will give you just enough thread to make it fit.



We offer a full line-up of 3/8" through 1" Extended Length Quik-Seals. The "M" size is made for hoods that need just a few more threads. The "L" length Seal has even more threads and designed for dry chemical systems like paint spray booths.

Part #	Box #	EXTENDED LENGTH	Length	Hole Size	Qty Per Box
170M	173M	3/8" Pipe Quik-Seal ("A")	2"	1-1/8"	24
170L		3/8" Pipe Quik-Seal ("A")	4-1/2"	1-1/8"	NA
171M	174M	1/2" Pipe Quik-Seal ("A")	2"	1-1/8"	24
171L		1/2" Pipe Quik-Seal	4-1/2"	1-1/8"	NA
172M		3/4" Pipe Quik-Seal	2-7/8"	1-3/8"	NA
172L		3/4" Pipe ("A")	4-3/4"	1-3/8"	NA
213M		1" Pipe Quik-Seal	3-1/8"	1-5/8"	NA
213L		1" Pipe Quik-Seal	5"	1-5/8"	NA

Part #	Box #	STANDARD SIZE	Length	Hole Size	Qty Per Box
170	173	3/8" Pipe Quik-Seal ("A")	1"	1-1/8"	24
171	174	1/2" Pipe Quik-Seal	1-1/8"	1-1/8"	24
172	175	3/4" Pipe Quik-Seal	1-1/4"	1-3/8"	24
213	216	1" Pipe Quik-Seal	1-1/2"	1-5/8"	12



Part #	Box #	COMPRESSION SEALS	Length	Hole Size	Qty Per Box
1141	1143	5/8" Tube & 3/8" Pipe Compression-Seal-Ext. Length	2-5/16"	1-1/8"	24
1230	1242	1/2" EMT Conduit Compression-Seal-Ext. Length	2-5/16"	1-1/8"	24



NATIONAL FIRE EQUIPMENT LTD.
SERVICE, SOLUTIONS, INNOVATION

Corporate Head Office:
40 Edilcan Drive
Concord, ON., L4K 3S6
T: 905-761-6355 F: 905-761-6458
concordsales@nationalfire.com
www.nationalfire.com

Follow us:

