



# National Fire Equipment Ltd.

**CE-950-3-SCFR - 9" w X 24" h X 6" d (1/4" Return)**

## Fire Rated Extinguisher Cabinet (Minimum - 6 3/4" Wall Depth)

### STANDARD CONSTRUCTION FEATURES

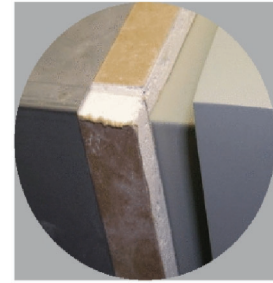
- 1/4" Turnback on Front- Full Glass Panel (Glass Size 5" x 20")
- Grey or White Powder Coat Paint Finish
- Accommodates 10lb Dry Chemical Fire Extinguisher  
Model ABC-100WWD

### Options

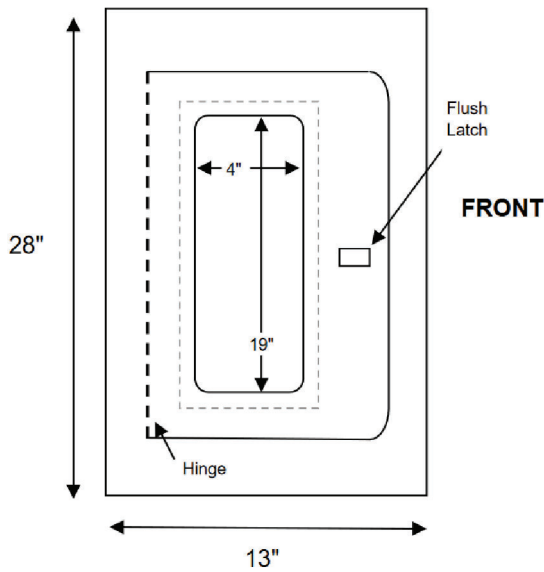
- Break Glass Door & Lock- Cylinder Lock
- Stainless Steel Front & Tub

### Rating:

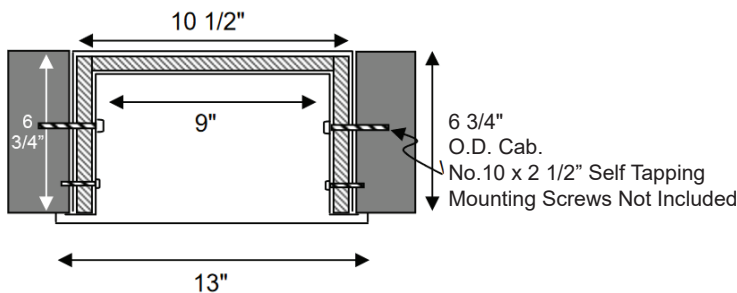
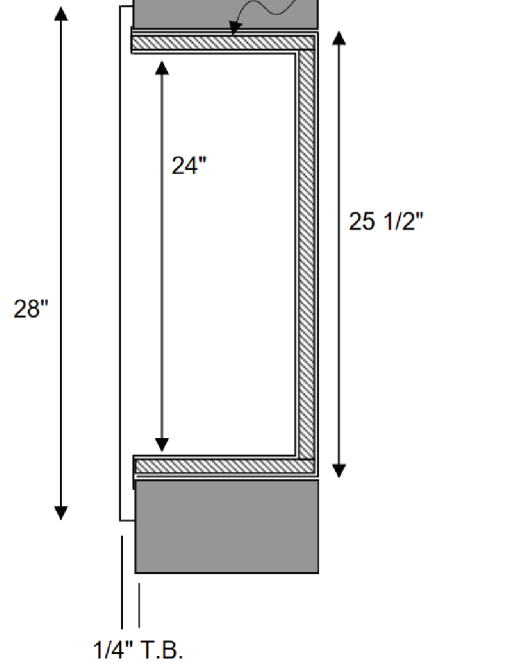
Warnock Hersey International  
Test Report WHI-495-1534  
2 hour vertical fire rated assembly



↑ EXTERIOR TUB  
↑ TYPE X DRYWALL  
↑ CABINET



**SIDE**



**National Fire  
Equipment Ltd.**

TORONTO: (905) 761-6355  
Toll Free: (800) 267-8508

OTTAWA: (613) 723-6071

VANCOUVER: (604) 420-1131  
Toll Free: (800)-667-2138

BURNABY: (604)-299-4498

EDMONTON: (780) 455-3870  
Toll Free: (888)-891-1008

CALGARY: (403) 236-5661

MONCTON: (506) 859-7277  
Toll Free: (877) 816-3473

MISSISSAUGA: (905) 565-1385

[www.nationalfire.com](http://www.nationalfire.com)