



# National Fire Equipment Ltd.

**CE-950-3-2-SCFR Semi-Recessed 9" w X 24" h X 6" d**

## STANDARD CONSTRUCTION FEATURES

- 2" Turnback (Front Welded to Tub)
- Full Glass Door w/ Full Length Piano Hinge
- Glass Size 5" x 20" (Glass Opening 4" x 19")
- White Powder Coat Paint Finish (Optional grey shown)
- Accommodates 10lb Dry Chemical Fire Extinguisher  
Model ABC-100WWD

- Stainless Steel Paddle Latch
- Satin Coat Galvanized Exterior Tub w/ Type X Drywall Lining

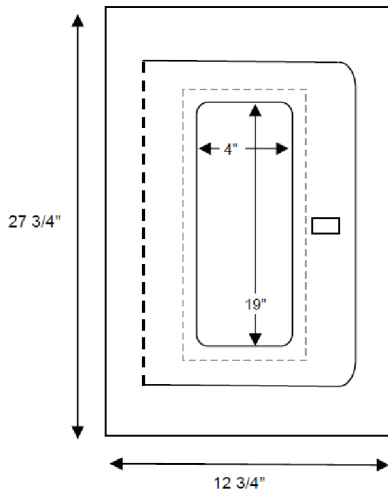
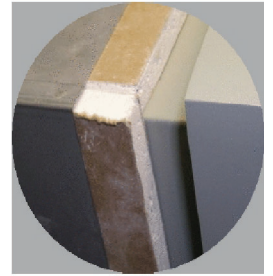
## Rating:

Warnock Hersey International  
Test Report WHI-495-1534  
2 hour vertical fire rated assembly

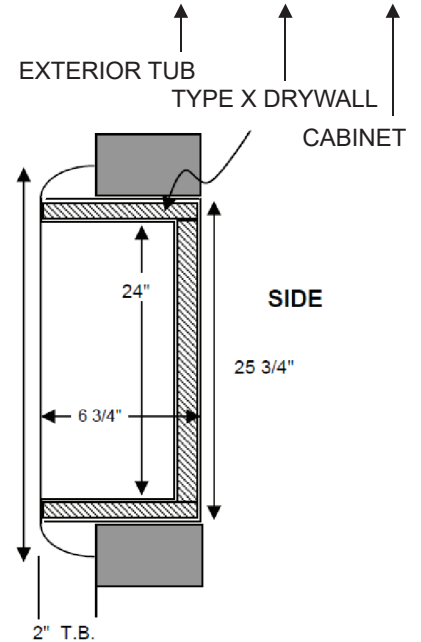


## Installation:

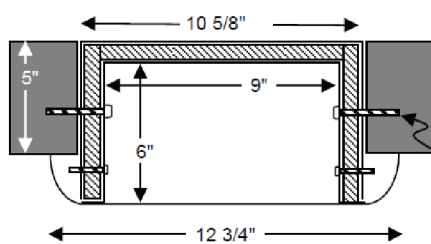
- Rough opening: 10-7/8"W x 26"h x 4-7/8"d
- Installation Instructions are included with each cabinet



FRONT



SIDE



TOP

No.10 x 2 1/2" Self Tapping  
Mounting Screws Not Included



**National Fire  
Equipment Ltd.**

TORONTO: (905) 761-6355  
Toll Free: (800) 267-8508

OTTAWA: (613) 723-6071

VANCOUVER: (604) 420-1131  
Toll Free: (800)-667-2138

BURNABY: (604)-299-4498

EDMONTON: (780) 455-3870  
Toll Free: (888)-891-1008

CALGARY: (403) 236-5661

MONCTON: (506) 859-7277  
Toll Free: (877) 816-3473

MISSISSAUGA: (905) 565-1385

[www.nationalfire.com](http://www.nationalfire.com)