



National Fire Equipment Ltd.

CE-950-1-FR - 14 1/2" w X 30" h X 4" d (Tub I.D.)

FIRE EXTINGUISHER CABINET FIRE RATED - 2" Radius TB Semi Recessed

STANDARD CONSTRUCTION FEATURES

- 2" Rounded Turnback (Adjustable Angles on Front)
- Full Glass Bubble Canopy 16 ga. Door w/ Full Length Piano Hinge
- Glass Size 10 3/4" w x 26 3/4" h x 3" d (Glass Opening 8 1/2" x 25")
- White Powder Coat Paint Finish
- Accommodates: a) 20lb Dry Chemical Fire Extinguisher (Model ABC-200WWD)
b) 6L Class K (Model CLASSK-6LWWD)
c) 2.4 Gal. Pressure Water (Model PWS-250WWD)
- Stainless Steel Paddle Latch
- Satin Coat Galvanized Exterior 22 ga. Tub w/ UL Type X Drywall Lining

Rating:

Warnock Hersey International
Test Report WHI-495-1534
2 hour vertical fire rated assembly

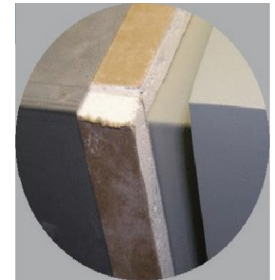


Installation:

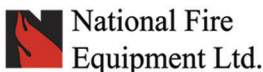
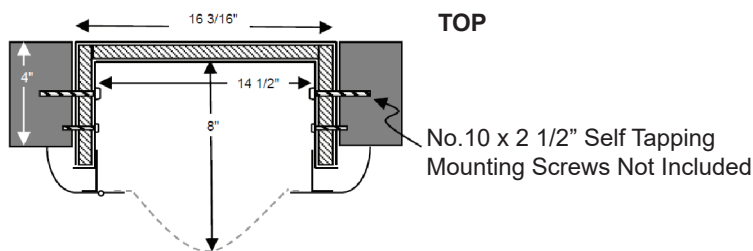
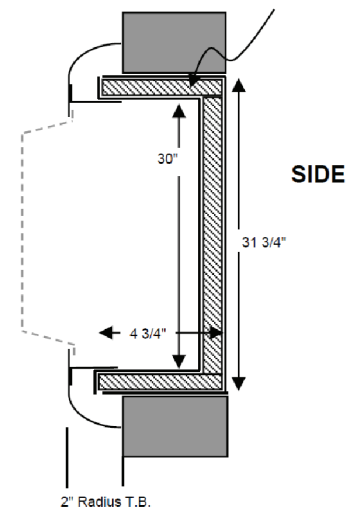
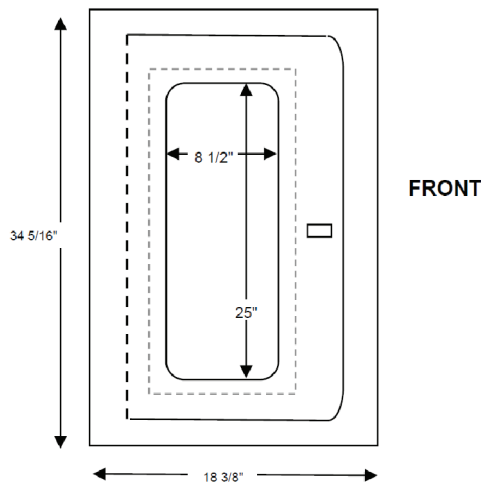
- Min. Rough opening: 16 1/2" w X 32" h X 4" d
- 4" wall depth required
- Installation Instructions are included with each cabinet



*1" Turnback shown in picture



↑ EXTERIOR TUB
↑ TYPE X DRYWALL
↑ CABINET



TORONTO: (905) 761-6355
Toll Free: (800) 267-8508
OTTAWA: (613) 723-6071

VANCOUVER: (604) 420-1131
Toll Free: (800)-667-2138
BURNABY: (604)-299-4498

EDMONTON: (780) 455-3870
Toll Free: (888)-891-1008
CALGARY: (403) 236-5661

MONCTON: (506) 859-7277
Toll Free: (877) 816-3473
MISSISSAUGA: (905) 565-1385

www.nationalfire.com