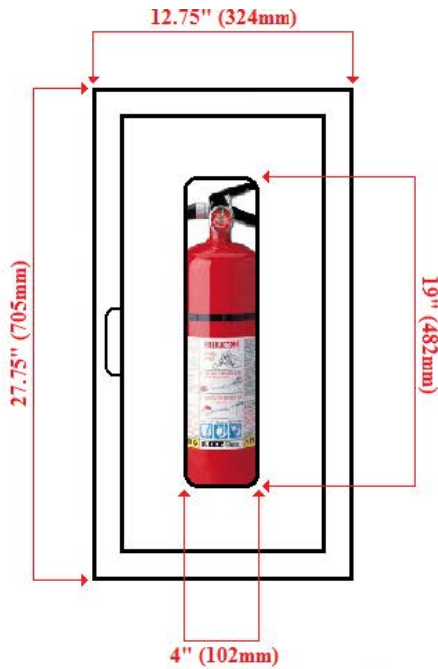
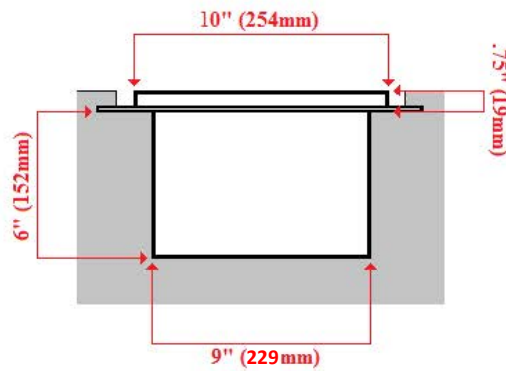


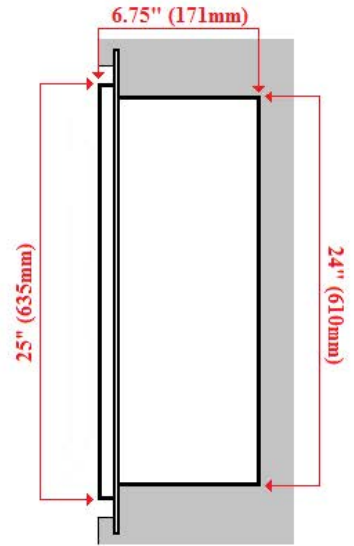
O qf gn'ETE-300-10'Gz vki wkuj gt'Ecdkpgv



FRONT VIEW



TOP VIEW



SIDE VIEW

Type of Cabinet: Recessed <input type="checkbox"/> Surface <input type="checkbox"/> Semi-Recessed <input type="checkbox"/> Recessed Flush Style <input type="checkbox"/>	Door Finish: Powder Coated 304 S.S., Polished 304 Stainless, #4 Satin Finish Custom Finish:	
Door Style: Full Glass <input type="checkbox"/> Break Glass <input type="checkbox"/> Full Metal <input type="checkbox"/>	Door Glass: 5mm Plate Glass <input type="checkbox"/> 6mm Wired Glass <input type="checkbox"/> 5mm Bronze Tint Glass <input type="checkbox"/> 6mm Duolite Glass <input type="checkbox"/> Custom Glass:	
Trim Style: Flat Trim <input type="checkbox"/> No Trim <input type="checkbox"/> Turnback: <input type="checkbox"/>	Extinguisher Model: _____ Rating: _____	
Tub Finish: Powder Coated <input type="checkbox"/> Custom Finish: _____	Quantity Requirement: _____	
 National Fire Equipment Ltd. 40 Edilcan Drive, Concord, ON L4K 3S6 Tel: (905) 761-6355 Fax: (905) 761-6458 www.nationalfire.com	EXTINGUISHER CABINET	CTE-300-10
	By: KRB	2023