



NATIONAL FIRE EQUIPMENT LTD.

SERVICE, SOLUTIONS, INNOVATION

RELY FX™ Heavy-Duty Black Steel Fire Extinguisher Bracket

The RELY FX™ 81-739 Black Steel fire extinguisher bracket is specifically designed for durability and extended service life in harsh industrial, marine, and mining applications. This heavy-duty bracket has been evaluated to meet or exceed applicable NFPA, UL, ULC, and USCG standards.

Accommodates all RELY FX 10-pound fire extinguisher models.

Construction and Finish:

Heavy-duty steel construction with welded bracket back and bottom brace supports and liquid drainage corners. External bracket surface finished with a corrosion-resistant baked-on black powder paint. Pre-drilled mounting holes match most common existing bracket hole patterns and accommodate extinguisher mounting in horizontal, vertical, or angled positions.

Release Arm with Locking Retention Pin and Chain:

Designed to permit the easy release and removal of fire extinguishers with less than 15 pounds (6.8 kg) of applied force after removing the pull pin. Large loop stainless-steel locking pull pin with extra thick shaft accommodates removal while wearing gloves. An 8-inch (20.3cm) pull pin retention chain prevents loss of pull pin after removal. Stainless steel locking pull pin and retention arm release pull-point are contrasting colors for easy identification in low-light conditions. Retention arm features adjustable threaded stainless-steel hardware to properly secure extinguishers of varying diameters.

Replaceable Rubber Support Bumpers:

Bracket features twelve special durometer rubber support bumpers designed to securely hold and protect extinguisher throughout the life cycle of bracket. Bumpers secured to bracket with stainless steel fasteners to accommodate simple replacements in the field and to maintain corrosion resistance.

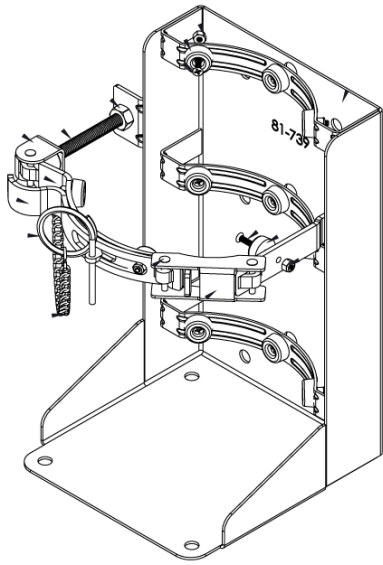


Rely FX Model 81-739 Stainless Steel Bracket	
Height:	12.9 inches (32.8 cm)
Width:	9.4 inches (23.9 cm)
Depth:	8.1 inches (20.6 cm)
Weight:	7.51 pounds (3.4 kg)
Mounting Holes:	7/16 in (1.1 cm)

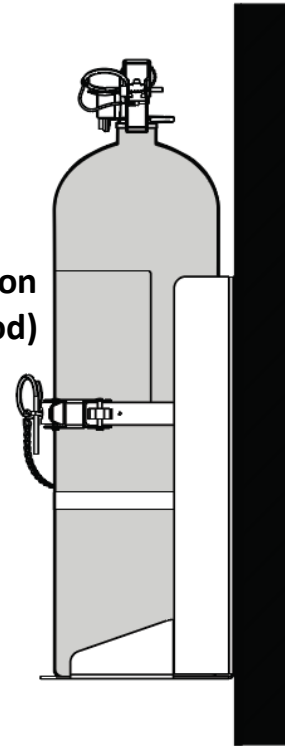
All information listed herein is subject to change.

PS26113-A

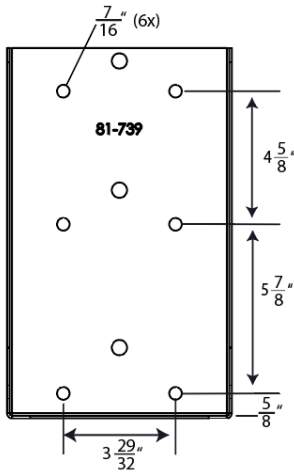
RELY FX™ Heavy-Duty Black Steel Bracket Dimensions



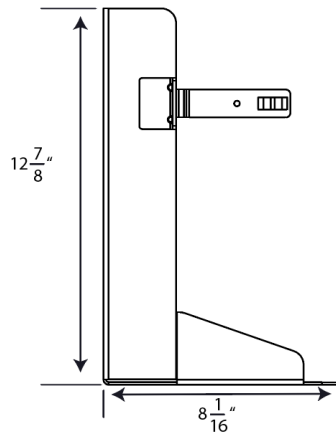
**Vertical Installation
(Preferred Method)**



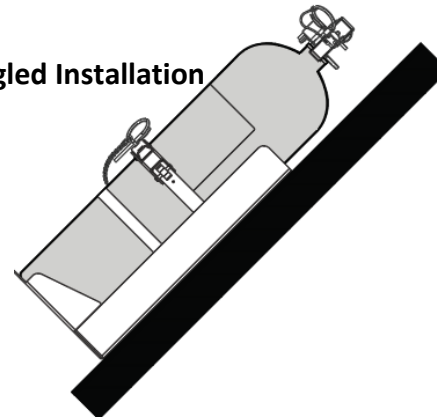
Bracket Back View



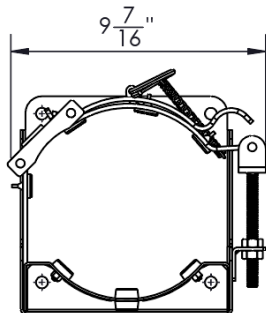
Bracket Side View



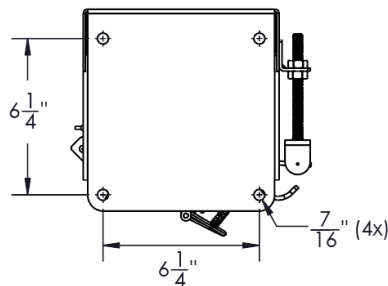
Angled Installation



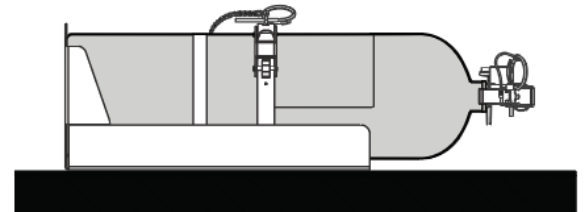
Bracket Top View



Bracket Bottom View



Horizontal Installation



PS26113-A