



# NATIONAL FIRE EQUIPMENT LTD.

SERVICE, SOLUTIONS, INNOVATION

## **RELY FX™ Heavy-Duty Black Steel Fire Extinguisher Bracket**

The RELY FX™ 81-745 Black Steel fire extinguisher bracket is specifically designed for durability and extended service life in harsh industrial, marine, and mining applications. This heavy-duty bracket has been evaluated to meet or exceed applicable NFPA, UL, ULC, and USCG standards.

### **Accommodates all RELY FX 4-pound fire extinguisher models.**

#### **Construction and Finish:**

Heavy-duty steel construction with welded bracket back and bottom brace supports and liquid drainage corners. External bracket surface finished with a baked-on corrosion-resistant black powder paint. Pre-drilled mounting holes match most common existing bracket hole patterns and accommodate mounting extinguishers in horizontal, vertical, or angled positions.

#### **Release Arm with Locking Retention Pin and Chain:**

Designed to permit the easy release and removal of fire extinguishers with less than 15 pounds (6.8 kg) of applied force after removing the pull pin. Attached pull pin retention chain prevents loss of pull pin after removal. Retention arm features adjustable threaded hardware to securely fasten extinguishers of varying diameters.

#### **Rubber Support Bumpers:**

Bracket features six rubber support bumpers designed to securely hold and protect extinguisher. Bumpers secured to bracket with stainless steel fasteners for added corrosion resistance.

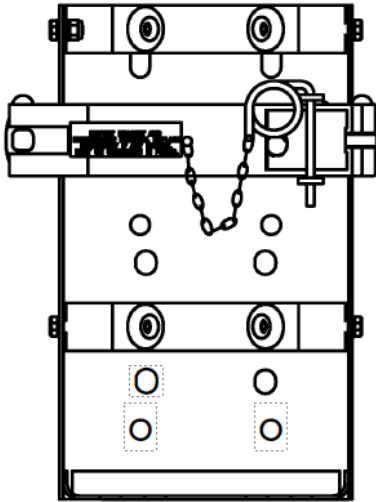


<b>Rely FX Model 81-745 Stainless Steel Bracket</b>	
Height:	10.4 inches (26.4 cm)
Width:	8.25 inches (21 cm)
Depth:	5.6 inches (14.2 cm)
Weight:	5.3 pounds (2.4 kg)
Mounting Holes:	13/32 in (0.95 cm) 7/16 in (1.1 cm) 1/2 in (1.27 cm)

*All information listed herein is subject to change.*

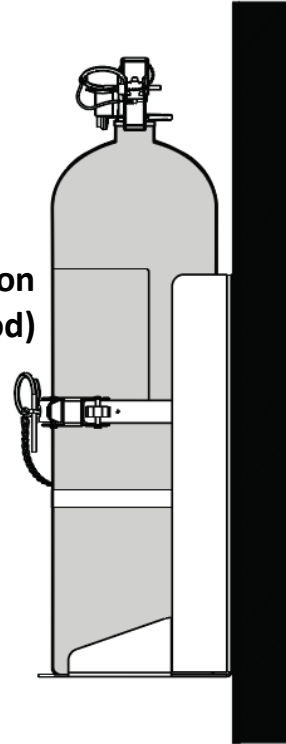
PS26114-A

# RELY FX™ Heavy-Duty Stainless-Steel Bracket Dimensions

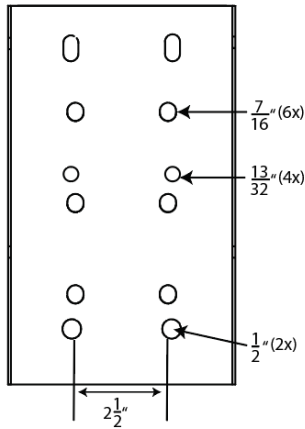


Bracket Back View

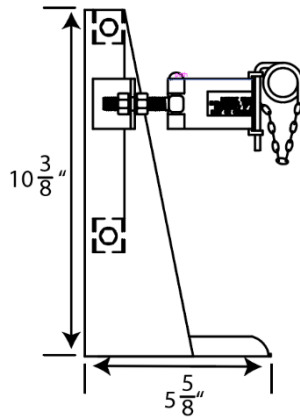
Bracket Side View



Vertical Installation  
(Preferred Method)

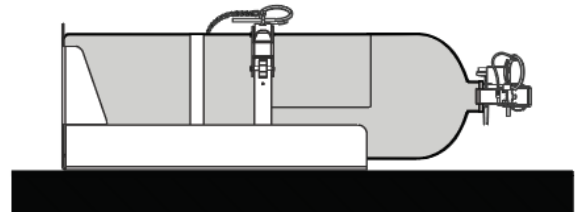
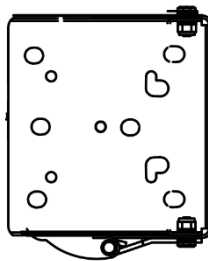
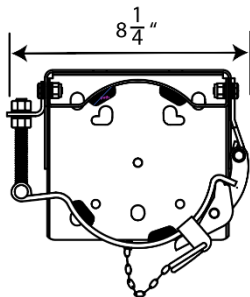
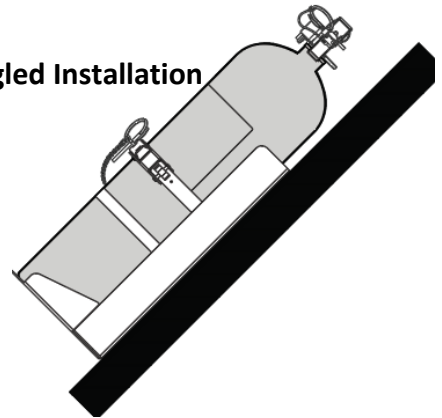


Bracket Top View



Bracket Bottom View

Angled Installation



Horizontal Installation

PS26114-A