

# MODEL 975

## Reduced Pressure Principle Backflow Preventers 2-1/2" to 10"

# WILKINS

a **ZURN** company

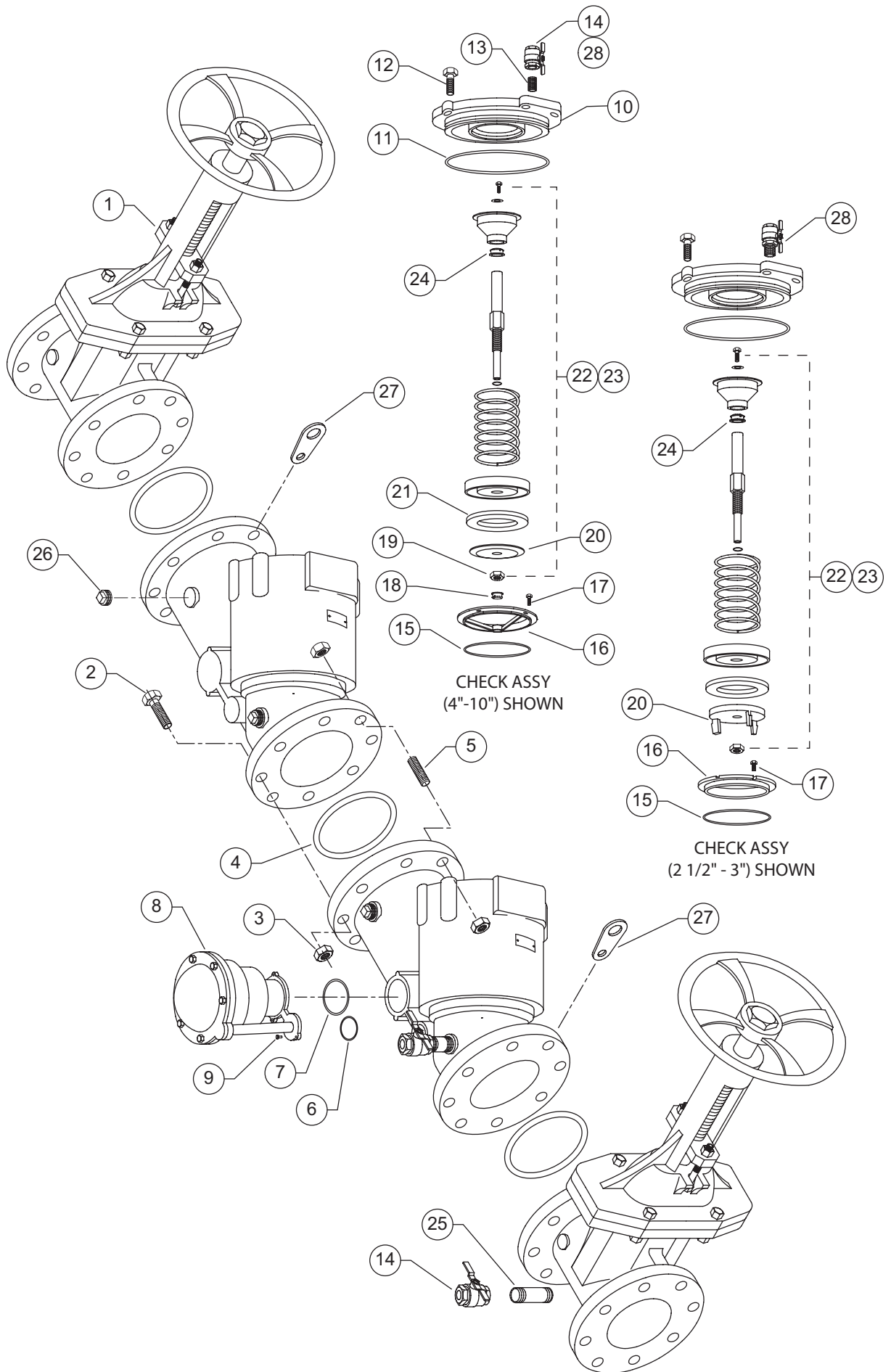
ITEM NO.	DESCRIPTION	2-1/2"	3"	4"	6"	8"	10"
1	GATE VALVE, TAPPED	212-48	3-48	4-48	6-48	8-48	10-48
	GATE VALVE, TAPPED, OS&Y	212-48OSY	3-48OSY	4-48OSY	6-48OSY	8-48OSY	10-48OSY
2	BOLT, FLANGE	558-11D	558-11D	559-11	5510-11	9511-11B	9512-11B
3	NUT, FLANGE	558-9	558-9	558-9	5510-9	5510-9	9512-9A
4	GASKET, FLANGE	557-13	558-13	559-13	5510-13	9511-13	9512-13
5	STUD, FLANGE	959-11A	959-11A	959-11A	9511-11A	9511-11A	N/A
6	O-RING, SMALL	022N	022N	022N	022N	022N	022N
7	O-RING, LARGE	033N	033N	033N	033N	036N	036N
8	RELIEF VALVE	977-CU	977-CU	977-CU	977-CU	9711-CU	9711-CU
9	BOLT, RELIEF VALVE	554-11A	554-11A	554-11A	554-11A	554-11A	554-11A
10	COVER	957-3C	957-3C	959-3C	9510-3C	9511-3C	9512-3C
11	O-RING, COVER	248N	248N	264N	374N	452N	457N
12	BOLT, COVER	957-11	957-11	959-11	9510-11	9511-11	9512-11
13	NIPPLE, SHORT	N/A	N/A	N/A	102-21B	102-21B	102-21B
14	BALL VALVE	12-850	12-850	12-850	34-850XL	34-850XL	34-850XL
15	O-RING, SEAT	238N	238N	252N	366N	374N	379N
16	SEAT	957-18-010F	957-18-010F	959-18-010F	9510-18-010F	9511-18-010F	9512-18-010F
17	BOLT, SEAT	5752-11	5752-11	959-11B	959-11B	959-11B	959-11B
18	LOWER STEM GUIDE	N/A	N/A	959-2	957-2	9511-2	9512-2
19	NUT, STEM	957-9	957-9	959-9	9511-9	9511-9	9512-9
20	RETAINING PLATE	957-31-010F	957-31-010F	959-14-010F	9510-14-010F	9511-14-010F	9512-14-010F
21	SEAL RING	558-12	558-12	959-12	9510-12	9511-12	9512-12
22	NO.1 POPPET ASSEMBLY	977-300	977-300	979-300	9710-300	9711-300	9712-300
23	NO.2 POPPET ASSEMBLY	957-300	957-300	959-300	9510-300	9511-300	9512-300
24	UPPER STEM GUIDE	957-2	957-2	957-2	9510-2	9511-2A	9512-2A
25	NIPPLE, LONG	558-21B	558-21B	558-21B	5510-21B	5510-21B	5510-21B
26	PLUG	558-7	558-7	558-7	5510-7	5510-7	5510-7
27	LIFTING LUG	N/A	N/A	N/A	9510-24	9510-24	N/A
28	BALL VALVE	12-850M	12-850M	12-850M	34-850XL	34-850XL	34-850XL

### REPAIR KITS

RK212-950			REPAIR KIT MODELS 950/975 2-1/2" & 3"			RK6-950			REPAIR KIT MODELS 950/975, 6"			RK10-950			REPAIR KIT MODELS 950/975, 10"		
PART NO.	QTY.	DESCRIPTION	PART NO.	QTY.	DESCRIPTION	PART NO.	QTY.	DESCRIPTION	PART NO.	QTY.	DESCRIPTION	PART NO.	QTY.	DESCRIPTION			
558-12	2	SEAL RING	9510-12	2	SEAL RING	9512-12	2	SEAL RING									
248N	2	O-RING, COVER	374N	2	O-RING, COVER	457N	2	O-RING, COVER									

RK4-950			REPAIR KIT MODEL 950/975, 4"			RK8-950			REPAIR KIT MODEL 950/975 8"		
PART NO.	QTY.	DESCRIPTION	PART NO.	QTY.	DESCRIPTION	PART NO.	QTY.	DESCRIPTION	PART NO.	QTY.	DESCRIPTION
959-12	2	SEAL RING	9511-12	2	SEAL RING						
264N	2	O-RING, COVER	452N	2	O-RING, COVER						



# MODEL 975 **WILKINS**

## Relief Valve

2-1/2" to 10"

a **ZURN** company

RELIEF VALVE COMPLETE			977-CU	9711-CU
ITEM NO.	DESCRIPTION	QTY.	2-1/2"-6"	8" & 10"
1	BLEED SCREW	2	552-11A	552-11A
2	BOLT, COVER	6	5752-11	5752-11
3	BOLT	1	554-11A	554-11A
4	WASHER, DIAPHRAGM	1	977-80	977-80
5	DIAPHRAGM	1	5758-43	5758-43
6	SPRING RETAINER	1	977A-80-010F	9711A-80-010F
7	O-RING, SPRING RETAINER	1	113N	113N
8	SPRING	1	977A-33	9711-33A
9	STEM GUIDE	1	977-2	9711-2
10	O-RING, STEM GUIDE	1	230N	230N
11	O-RING, STEM	1	220N	327E-60
12	STEM	1	977-5	9711-5
13	SEAL RING	1	5758-12	9711-12
14	SEAL RETAINER	1	977-14	9711-14
15	BOLT, SENSING	1	977-11	977-11
16	BOLT, SEAT	3	5752-11A	N/A
17	SEAT	1	977-18	9711-18
18	O-RING, SEAT	1	031N	036N
19	O-RING, SENSING LINE	1	018N	018N
20	O-RING, LARGE	1	033N	036N
21	O-RING, SMALL	1	022N	022N
22	RELIEF VALVE STEM ASSY.	1	977-50	9711-50
REPAIR KITS				
REPAIR KITS, RUBBER			<b>RK212-975R</b> 2-1/2" - 6"	RK8-975R 8" & 10"
ITEM NO.	DESCRIPTION	QTY.	PART NO.	PART NO.
5	DIAPHRAGM	1	5758-43	5758-43
7	O-RING, SPRING RETAINER	1	113N	113N
10	O-RING, STEM GUIDE	1	230N	230N
11	O-RING, STEM	1	220N	327E-60
13	SEAL RING	1	5758-12	9711-12
19	O-RING, SENSING LINE	1	018N	018N
20	O-RING, LARGE	1	033N	036N
21	O-RING, SMALL	1	022N	022N
REPAIR KITS, COMPLETE			RK212-975 2-1/2" - 6"	RK8-975 8" & 10"
ITEM NO.	DESCRIPTION	QTY.	PART NO.	PART NO.
N/A	REPAIR KIT, RUBBER	1	RK212-975R	RK8-975R
8	SPRING	1	977A-33	9711-33A

