

MODEL 375A & 375

Reduced Pressure Principle

Backflow Preventers (375A 2 1/2"-10") (375 4"-10")

WILKINS

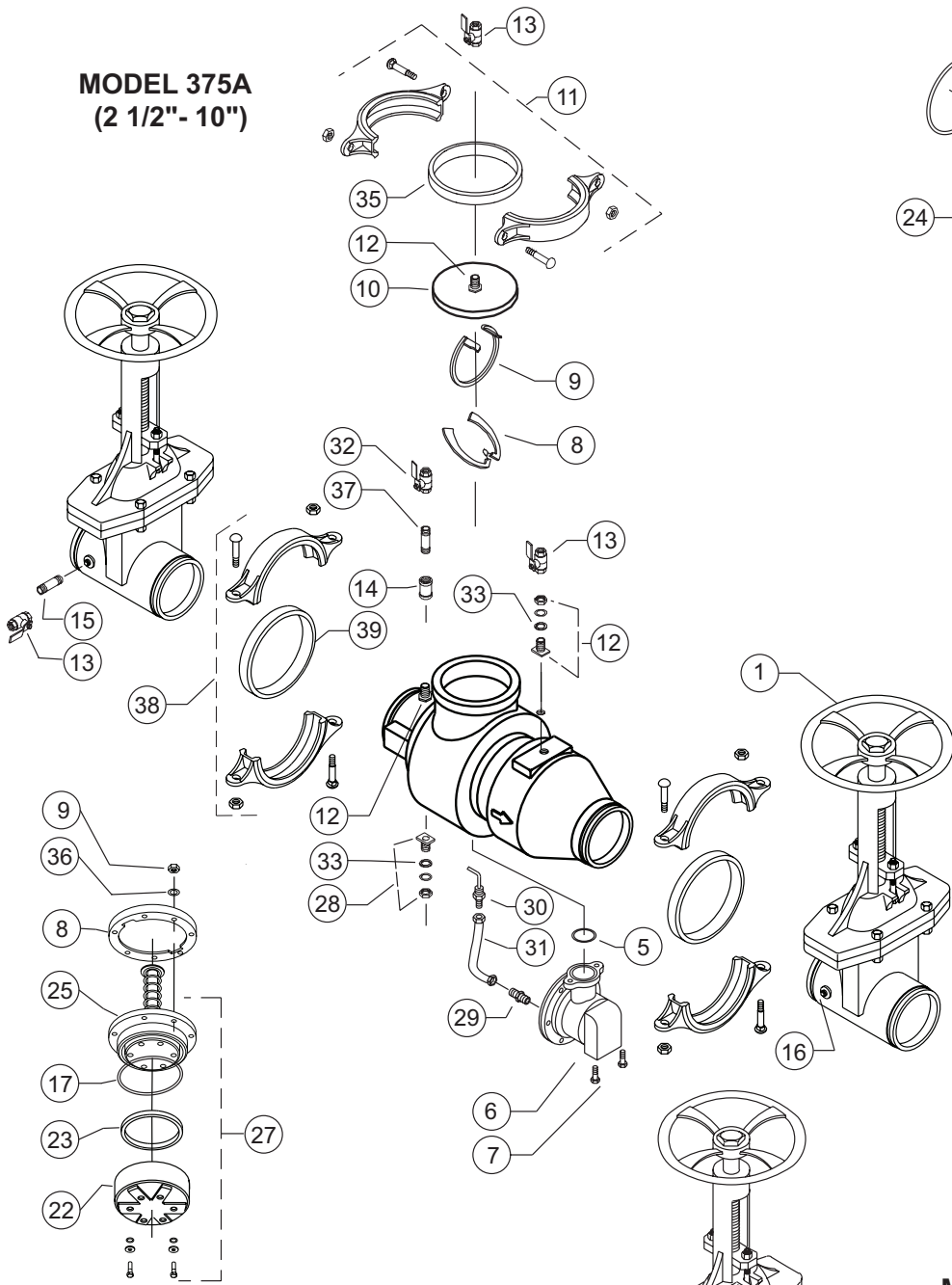
a ZURN company

ITEM NO.	DESCRIPTION	2 1/2"	3"	4"	6"	8"	10"
1	GATE VALVE, NRS	212-48GXF	3-48GXF	4-48	6-48	8-48	10-48
	GATE VALVE, OS&Y	212-48OSYGXF	3-48OSYGXF	4-48OSY	6-48OSY	8-48OSY	10-48OSY
	GATE VALVE, OS&Y (F&G)	212-48OSYGXF	3-48OSYGXF	4-48OSYGXF	6-48OSYGXF	8-48OSYGXF	10-48OSYGXF
	BUTTERFLY VALVE	212-49GVIC	3-49GVIC	4-49GVIC	6-49GVIC	8-49GVIC	10-49GVIC
2	BOLT, FLANGE	N/A	N/A	559-11	5510-11	9511-11B	9512-11B
3	NUT, FLANGE	N/A	N/A	558-9	5510-9	5510-9	9512-9A
4	GASKET, FLANGE	N/A	N/A	559-13	5510-13	9511-13	9512-13
5	O-RING, CONTROL UNIT	032N	032N	032N	032N	142N	142N
6	RELIEF VALVE ASSY	3707-CU-XL	3707-CU-XL	3707-CU-XL	3707-CU-XL	3711-CU-XL	3711-CU-XL
7	BOLT, RELIEF VALVE	554-11A	554-11A	554-11A	554-11A	957-11	957-11
8	SEAT RETAINER #2	3509-140	3509-140	3509-140	3510-140	3511-14DSS	3511-14DSS
9	SEAT RETAINER #1	3509-14B	3509-14B	3509-14B	3510-14B	3511-9 (NUT)	3511-9 (NUT)
10	COVER	3509-3C	3509-3C	3509-3C	3510-3C	3511-3C	3511-3C
11	COVER RETAINER ASSY	6-23	6-23	6-23	8-23	12-23	12-23
12	BULKHEAD FITTING ASSY	BHF1CXL-100	BHF1CXL-100	BHF1CXL-100	BHF2BXL-100	BHF2BXL-100	BHF2BXL-100
13	BALL VALVE	12-850XL	12-850XL	12-850XL	34-850XL	34-850XL	34-850XL
14	COUPLING	12-51	12-51	12-51	557-51	557-51	557-51
15	NIPPLE, LONG	558-21B	558-21B	558-21B	34X3-21B	34X3-21B	34X3-21B
16	PLUG	558-7	558-7	558-7	5510-7	5510-7	5510-7
17	O-RING	353N	353N	353N	364N	273N	273N
18	BOLT, POPPET RETAINER	558-11E	558-11E	558-11E	5510-11A	3511-11	3511-11
19	HANDLE, #1 POPPET ASSY	3509-6	3509-6	3509-6	3510-6	N/A	N/A
20	WASHER	3509-14C	3509-14C	3509-14C	3510-14C	3510-14C	3510-14C
21	O-RING	109N	109N	109N	204N	204N	204N
22	POPPET RETAINER	3509-14	3509-14	3509-14	3510-14	3511-14	3511-14
23	SEAL RING	3509-12	3509-12	3509-12	3510-12	3511-12	3511-12
24	SEAT ASSEMBLY, #1 POPPET	3709-180	3709-180	3709-180	3710-180	3712-180	3712-180
25	SEAT ASSEMBLY, #2 POPPET	3509-180	3509-180	3509-180	3510-180	3512-180B	3512-180B
26	#1 CHECK ASSEMBLY	3709-300	3709-300	3709-300	3710-300	3712-300	3712-300
27	#2 CHECK ASSEMBLY	3509-300B	3509-300B	3509-300B	3510-300B	3512-300B	3512-300B
28	BULKHEAD FITTING ASSY	BHF1BXL-100	BHF1BXL-100	BHF1BXL-100	BHF1BXL-100	BHF2CXL-100	BHF2CXL-100
29	SENSING TUBE FITTING	5758A-36	5758A-36	5758A-36	5758A-36	5758A-36	5758A-36
30	PITOT TUBE ASSY	3709-360	3709-360	3709-360	3709-360	3711-360	3711-360
31	SENSING TUBE	3709-36	3709-36	3709-36	3710-36	4710-36	4710-36
32	BALL VALVE	12-850MXL	12-850MXL	12-850MXL	34-850XL	34-850XL	34-850XL
33	BULKHEAD FITTING, GASKET	BHF1-13	BHF1-13	BHF1-13	BHF1-13	BHF1-13	BHF1-13
34	LIFTING LUG	N/A	N/A	N/A	9510-24	9510-24	N/A
35	GASKET, COVER RETAINER	6-23-13	6-23-13	6-23-13	8-23-13	12-23-13	12-23-13
36	WASHER	N/A	N/A	N/A	N/A	3511-14E	3511-14E
37	NIPPLE, LONG	N/A	N/A	N/A	5510-21B	5510-21B	5510-21B
38	GROOVED COUPLING	4X212-23	4X3-23	4-23	6-23	8-23	10-23
39	COUPLING GASKET	N/A	N/A	4-23-13	6-23-13	8-23-13	10-23-13

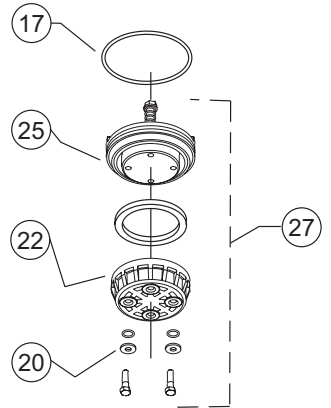
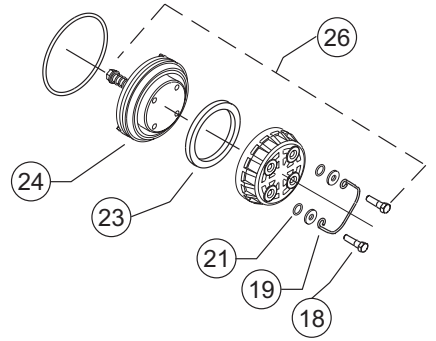
REPAIR KITS

REPAIR KIT MODEL 375, 4" MODEL 375A, 2 1/2"-4"			REPAIR KIT MODEL 375 & 375A, 6"			REPAIR KIT MODEL 375, & 375A, 8"-10"		
PART NO.	QTY.	DESCRIPTION	PART NO.	QTY.	DESCRIPTION	PART NO.	QTY.	DESCRIPTION
3509-12	2	SEAL RING	3510-12	2	SEAL RING	3511-12	2	SEAL RING
353N	2	O-RING	364N	2	O-RING	273N	2	O-RING
109N	8	O-RING	204N	8	O-RING	204N	12	O-RING

**MODEL 375A
(2 1/2" - 10")**

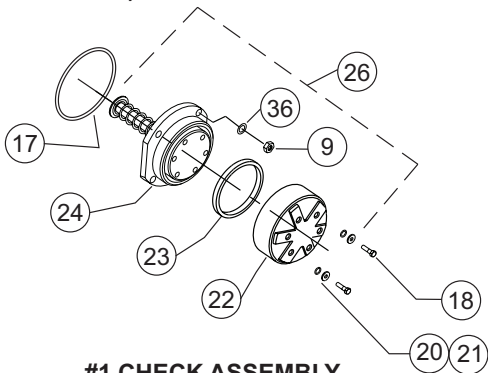


**#1 CHECK ASSEMBLY
(375 4" & 6")
(375 & 375A 4" & 6")**



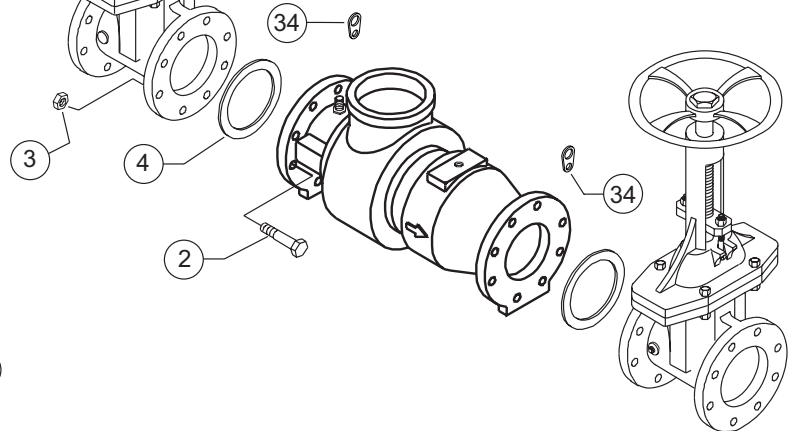
**#2 CHECK ASSEMBLY
(375 4" & 6")
(375A 2 1/2" - 6")**

**#2 CHECK ASSEMBLY
(375 & 375A 8" & 10")**



**#1 CHECK ASSEMBLY
(375 & 375A 8" & 10")**

MODEL 375 (4" - 10")



WILKINS

a ZURN company

MODEL 375, 375A, 475 & 475V 375XL, 375AXL, 475XL & 475XLV Relief Valve 2-1/2" to 10"

RELIEF VALVE COMPLETE			3707-CU-XL		3711-CU-XL	
ITEM NO.	DESCRIPTION	QTY.	2-1/2"-6"	QTY.	8" & 10"	
1	BOLT, COVER	6	554-11A	8	957-11	
2	O-RING	1	222N	1	227N	
3	UPPER PLUNGER	1	3707-34	1	3711-34	
4	DIAPHRAGM	1	3707-43	1	3711-43	
5	LOWER PLUNGER	1	3707-34A	1	3711-34A	
6	SEAL RING	1	3707-12	1	3711-12	
7	SEAL RETAINER	1	3707-14	1	3711-14	
8	SCREW	1	558-11E	1	558-11E	
9	CU SPRING	1	3707-33A	1	3711A-33	
10	CU SEAT	1	3707-18	1	3711-18	
11	O-RING	1	032N	1	146N	
12	WASHER	1	N/A	1	3707-14	
13	STEM ASSY.	1	3707-50	1	3711-50	
14	O-RING	1	032N	1	142N	

REPAIR KITS

REPAIR KITS, RUBBER			RK212-375R 2-1/2"-6"	RK8-375R 8" & 10"
ITEM NO.	DESCRIPTION	QTY.	PART NO.	PART NO.
6	SEAL RING	1	3707-12	3711-12
4	DIAPHRAGM	1	3707-43	3711-43
2	O-RING	1	222N	227N
11	O-RING	1	032N	146N
14	O-RING	1	032N	142N

REPAIR KITS, COMPLETE			RK212-375 2-1/2"-6"	RK8-375 8" & 10"
ITEM NO.	DESCRIPTION	QTY.	PART NO.	PART NO.
N/A	REPAIR KIT, RUBBER	1	RK212-375R	RK8-375R
9	SPRING	1	3707-33A	3711A-33

