



# National Fire Equipment Ltd.



**MODEL 950XL, 950XLTA**  
**Double Check – Backflow Preventers 3/4" to 2"**

Item Number	Description	3/4"	1"	1-1/4"	1-1/2"	2"	2" XLTA(BF)	3/4" 350D (BY-PASS)
1	CHECK COVER	952-3XL2-010F	952-3XL2-010F	954-3XL2-010F	954-3XL2-010F	954-3XL2-010F	954-3XL2-010F	N/A
2	O-RING, COVER	136N	136N	153N	153N	153N	153N	N/A
3	CHECK SPRING	952-33	952-33	554-33	554-33	554-33	956-33DA	352DA-33
4	POPPET	952-30-010F	952-30-010F	954-30-010F	954-30-010F	954-30-010F	954-30-010F	352-30
5	SEAL RING	952-12S	952-12S	954-12S	954-12S	954-12S	954-12S	N/A
6	SEAL RING RETAINER	952-14	952-14	954-14	954-14	954-14	954-14	N/A
7	RETAINING BOLT	952-11	952-11	952-11	952-11	952-11	952-11	N/A
8	CHECK SEAT #1	952-18T	952-18T	954-18T	954-18T	954-18T	954-18T	352-18A
	CHECK SEAT #2	952-18T	952-18T	954-18T	954-18T	954-18T	954-18T	352-18B
9	O-RING, CHECK SEAT #1	WK-125N	WK-125N	136N	136N	136N	136N	WK-125N
	O-RING, CHECK SEAT #2	WK-125N	WK-125N	136N	136N	136N	136N	126N
10	TEST COCK	18-860	18-860	14-860	14-860	14-860	14-860	18-860
11	BALL VALVE, TAPPED	34-850T	1-850T	114-850T	112-850T	2-850T	N/A	34-850T
12	BALL VALVE	34-850	1-850	114-850	112-850	2-850	N/A	34-850
	GATE VALVE (XLTA)	N/A	N/A	N/A	N/A	N/A	2-48OSYCIT	N/A
	BUTTERFLY VALVE, TAPPED**	N/A	N/A	114-49BRT	112-49BRT	2-49BRT	2-49BRT	N/A
	BUTTERFLY VALVE**	N/A	N/A	114-49BR	112-49BR	2-49BR	2-49BR	N/A
13	POPPET ASSEMBLY #1	952-300S	952-300S	954-300S	954-300S	954-300S	954-300S	352-300C
	POPPET ASSEMBLY #2	952-300S	952-300S	954-300S	954-300S	954-300S	954-300S	352-300D
14	TEST COCK CAP PLUG	2-7P	2-7P	2-7P	2-7P	2-7P	2-7P	2-7P
*	HOUSING	N/A	N/A	N/A	N/A	N/A	N/A	352-1A
*	O-RING, HOUSING INLET	N/A	N/A	N/A	N/A	N/A	N/A	214N
*	O-RING, HOUSING OUTLET	N/A	N/A	N/A	N/A	N/A	N/A	223N
*	HOUSING SCREWS	N/A	N/A	N/A	N/A	N/A	N/A	352-11
	HOUSING ASSEMBLY	N/A	N/A	N/A	N/A	N/A	N/A	RK34-350DV
15	WATER METER, 5/8"	N/A	N/A	N/A	N/A	N/A	557-54	N/A
	CHECK SEAT TOOL	972-SEATTOOL		974-SEATTOOL				N/A

\* SEE 3/4" MODEL 350.

\*\*INTEGRAL SUPERVISORY SWITCH OPTION AVAILABLE

## Repair Kit, Rubber & Spring

### RK34-950XL

Size 3/4" & 1" Only

Part Number	Qty.	Description
952-12S	2	SEAL RING
136N	2	O-RING, COVER
952-33	2	CHECK SPRING

### RK114-950XL

Size 1-1/4", 1-1/2", 2" Only

Part Number	Qty.	Description
954-12S	2	SEAL RING
153N	2	O-RING, COVER
554-33	2	CHECK SPRING

## Repair Kit, Rubber

### RK34-950XLR

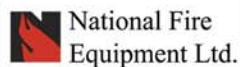
Size 3/4" & 1" Only

Part Number	Qty.	Description
952-12S	2	SEAL RING
136N	2	O-RING, COVER

### RK114-950XLR

Size 1-1/4", 1-1/2", 2" Only

Part Number	Qty.	Description
954-12S	2	SEAL RING
153N	2	O-RING, COVER



TORONTO: (905) 761-6355  
Toll Free: (800) 267-8508  
OTTAWA: (613) 723-6071

VANCOUVER: (604) 420-1131  
Toll Free: (800)-667-2138  
BURNABY: (604)-299-4498

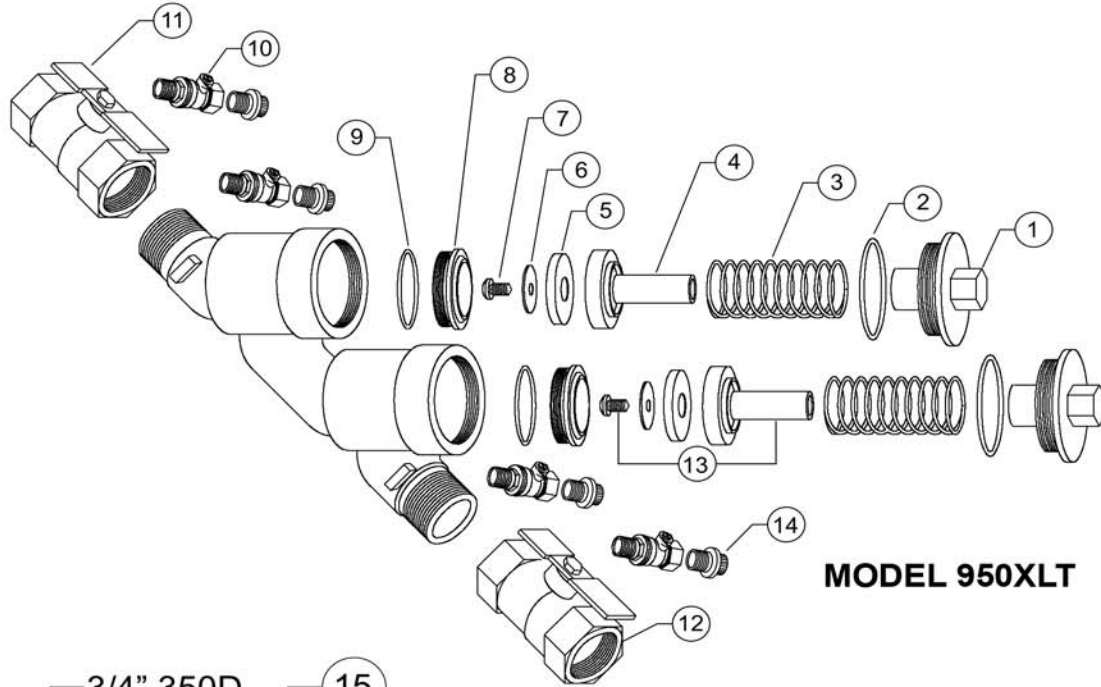
EDMONTON: (780) 455-3870  
Toll Free: (888)-891-1008  
CALGARY: (403) 236-5661

MONCTON: (506) 859-7277  
Toll Free: (877) 816-3473  
MISSISSAUGA: (905) 565-1385

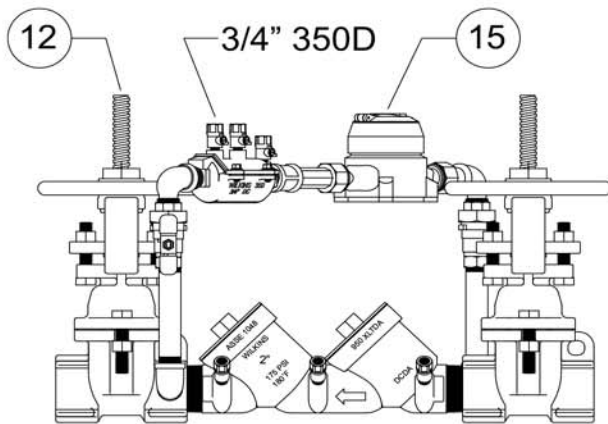
www.nationalfire.com

# MODEL 950XLT, 950XLTD – 3/4" to 2"

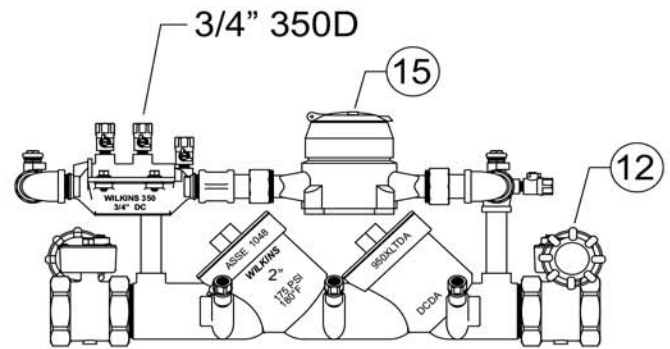
## Parts Drawing



**MODEL 950XLT**



**MODEL 950XLTD**



**MODEL 950XLTDABF**

### Repair Kit, Seat

**RK34-950XLTSK** Size 3/4" & 1" Only

Part Number	Qty.	Description
952-18T	2	CHK SEAT, 3/4" XLT
WK-125N	2	O-RING

**RK114-950XLTSK** Size 1-1/4", 1 1/2", 2" Only

Part Number	Qty.	Description
954-18T	2	CHK SEAT, 1-1/4" - 2" 950XLT
136N	2	O-RING

### Repair Kit, Complete

**RK34-350D** Size 3/4"

Part Number	Qty.	Description
352-300C	1	#1 CHECK ASSY
352-300D	1	#2 CHECK ASSY
214N	1	O-RING, HOUSING INLET
223N	1	O-RING, HOUSING OUTLET

### Repair Kit, Vessel

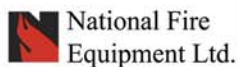
**RK34-350DV** Size 3/4"

Part Number	Qty.	Description
RK34-350DV	1	HOUSING ASSY

### Repair Kit, Spring

**RK2-950XLTD** Size 2"

Part Number	Qty.	Description
954-12S	2	SEAL RING
153N	2	O-RING, COVER
956-33DA	2	CHECK SPRING



TORONTO: (905) 761-6355  
Toll Free: (800) 267-8508  
OTTAWA: (613) 723-6071

VANCOUVER: (604) 420-1131  
Toll Free: (800)-667-2138  
BURNABY: (604)-299-4498  
www.nationalfire.com

EDMONTON: (780) 455-3870  
Toll Free: (888)-891-1008  
CALGARY: (403) 236-5661

MONCTON: (506) 859-7277  
Toll Free: (877) 816-3473  
MISSISSAUGA: (905) 565-1385