

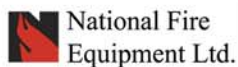


National Fire Equipment Ltd.



MODEL 375 Reduced Pressure Principle – Backflow Preventers 1-1/4" to 2"

Item Number	Description	1-1/4" Product Number	1-1/2" Product Number	2" Product Number
1	HOUSING	374-1	374-1	374-1
2	INTEGRAL INLET BV	374-48A	375-48A	376-48A
3	O-RING	331N	331N	331N
4	SLEEVE	374-2	374-2	374-2
5	O-RING	337N	337N	337N
6	BOLT	352-11	352-11	352-11
7	TEST COCKS	14-860	14-860	14-860
8	BOLT	959-11B	959-11B	959-11B
9	INTEGRAL OUTLET BV	374-48B	375-48B	376-48B
10	SEAT, #1	374-18A	374-18A	374-18A
11	SPRING, #1	374-33A	374-33A	374-33A
12	SPRING RETAINER, #1	374-80A	374-80A	374-80A
13	BOLT	374-11A	374-11A	374-11A
14	SEAL RETAINER	374-14A	374-14A	374-14A
15	SEAL WASHER	374-12A	374-12A	374-12A
16	POPPET	374-30	374-30	374-30
17	O-RING	336N	336N	336N
18	SEAT, #2	374-18B	374-18B	374-18B
19	SPRING, #2	374-33B	374-33B	374-33B
20	SPRING RETAINER, #2	374-80B	374-80B	374-80B
21	SEAL WASHER	374-12	374-12	374-12
22	SEAL RETAINER	374-14CU	374-14CU	374-14CU
23	BOLT	952-11	952-11	952-11
24	O-RING	334N	334N	334N
25	NUT	5752-9	5752-9	5752-9
26	O-RING	WK-109N	WK-109N	WK-109N
27	BODY, RV	374-1CU	374-1CU	374-1CU
28	SEAT, RV	374-18CU	374-18CU	374-18CU
29	SPRING GUIDE	374-80CU	374-80CU	374-80CU
30	SPRING, RV	374-33CU	374-33CU	374-33CU
31	DIAPHRAGM	374-43	374-43	374-43
32	PLUNGER, RV	374-34	374-34	374-34
33	O-RING	123N	123N	123N
34	O-RING	243N	243N	243N
35	COVER	374-3	374-3	374-3
36	BOLT	374-11	374-11	374-11
37	SPACER	374-2A	374-2A	-
38	#1 CHECK ASSY	374-300A	374-300A	374-300A
39	#2 CHECK ASSY	374-300B	374-300B	374-300B
40	RELIEF VALVE STEM ASSY	374-50	374-50	374-50
41	VESSEL W/CHECKS & RV	RK114-375V	RK114-375V	RK114-375V
42	HOUSING, BLOW OUT/FLUSH	RK114-350-375BOF	RK114-350-375BOF	RK114-350-375BOF



TORONTO: (905) 761-6355
Toll Free: (800) 267-8508
OTTAWA: (613) 723-6071

VANCOUVER: (604) 420-1131
Toll Free: (800)-667-2138
BURNABY: (604)-299-4498

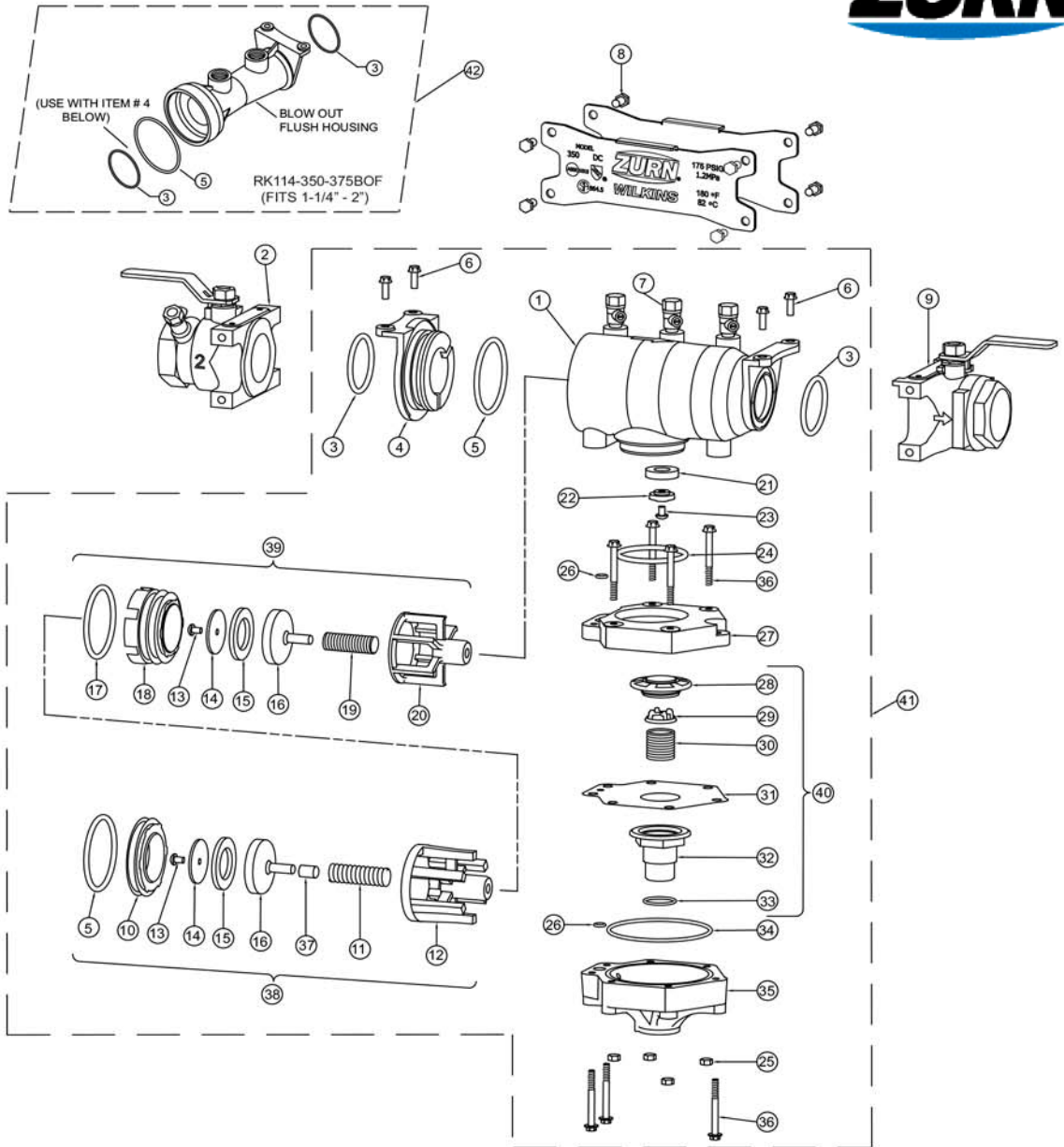
EDMONTON: (780) 455-3870
Toll Free: (888)-891-1008
CALGARY: (403) 236-5661

MONCTON: (506) 859-7277
Toll Free: (877) 816-3473
MISSISSAUGA: (905) 565-1385

www.nationalfire.com

MODEL 375 – 1-1/4" to 2"

Parts Drawing

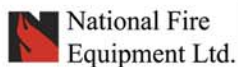


Repair Kit

RK114-375R Size 1-1/4" - 2"				RK114-375 Size 1-1/4" - 2"				RK114-375V Size 1-1/4" - 2"		
Item	Part Number	Qty.	Description	Item	Part Number	Qty.	Description	Item	Qty.	Description
3	331N	2	O-RING	3	331N	2	O-RING	42	1	VESSEL W/CHECKS & RV
5	337N	2	O-RING	5	337N	1	O-RING			
16	374-12A	2	SEAL WASHER	39	374-300A	1	#1 CHECK ASSY			
18	336N	1	O-RING	40	374-300B	1	#2 CHECK ASSY			
22	374-12	1	SEAL WASHER	22	374-12	1	SEAL WASHER			
25	334N	1	O-RING	23	374-14CU	1	SEAL RETAINER			
27	WK-109N	2	O-RING	25	334N	1	O-RING			
32	374-43	1	DIAPHRAGM	27	WK-109N	2	O-RING			
34	123N	1	O-RING	35	243N	1	O-RING			
35	243N	1	O-RING	41	374-50	1	RELIEF VLV. STEM ASSY			

RK114-350-375BOF Size 1-1/4" - 2"

Item	Qty.	Description
1	1	BODY, BLOW OUT FLUSH
3	2	331N O-RING
5	1	337N O-RING



TORONTO: (905) 761-6355
Toll Free: (800) 267-8508
OTTAWA: (613) 723-6071

VANCOUVER: (604) 420-1131
Toll Free: (800)-667-2138
BURNABY: (604)-299-4498
www.nationalfire.com

EDMONTON: (780) 455-3870
Toll Free: (888)-891-1008
CALGARY: (403) 236-5661

MONCTON: (506) 859-7277
Toll Free: (877) 816-3473
MISSISSAUGA: (905) 565-1385