



National Fire Equipment Ltd.



MODEL 375A & 375 Lead-Free* Reduced Pressure Principle Backflow Preventers 375A (2-1/2" to 10") & 375 (4" to 10")

**This product is lead-free, containing a weighted average lead content less than 0.25% for wetted surfaces.*

Item Number	Description	2 1/2"	3"	4"	6"	8"	10"
1	GATE VALVE, NRS	212-48GXF	3-48GXF	4-48GXF	6-48GXF	8-48GXF	10-48GXF
	GATE VALVE, OS&Y	212-48OSYGXF	3-48OSYGXF	4-48OSYGXF	6-48OSYGXF	8-48OSYGXF	10-48OSYGXF
	BUTTERFLY VALVE	212-49GVIC	3-49GVIC	4-49GVIC	6-49GVIC	8-49GVIC	10-49GVIC
2	NIPPLE	N/A	N/A	N/A	102-21B	N/A	N/A
3	O-RING, CONTROL UNIT	032N	032N	032N	032N	142N	142N
4	RELIEF VALVE ASSY	3707-CU-XL	3707-CU-XL	3707-CU-XL	3707-CU-XL	3711-CU-XL	3711-CU-XL
5	BOLT, RELIEF VALVE	BR4-11SS	BR4-11SS	BR4-11SS	BR4-11SS	957-11	957-11
6	SEAT RETAINER #2	3509ST-140	3509ST-140	3509ST-140	3510ST-140	3511-14DSS	3511-14DSS
7	SEAT RETAINER #1	3509ST-14B	3509ST-14B	3509ST-14B	3510ST-14B	N/A	N/A
8	COVER	3509ST-3	3509ST-3	3509ST-3	3510ST-3	3511ST-3	3511ST-3
9	COVER RETAINER ASSY	6-23	6-23	6-23	8-23	12-23	12-23
10	BALL VALVE	12-850XL	12-850XL	12-850XL	34-850XL	34-850XL	34-850XL
11	NIPPLE, LONG	12X3-21B	12X3-21B	12X3-21B	34X3-21B	34X3-21B	34X3-21B
12	PLUG	558-7	558-7	558-7	5510-7	5510-7	5510-7
13	O-RING	351N	351N	351N	364N	273N	273N
14	BOLT, POPPET RETAINER	558-11E	558-11E	558-11E	5510-11A	3511-11	3511-11
15	HANDLE, #1 POPPET ASSY	3509-6	3509-6	3509-6	3510-6	N/A	N/A
16	WASHER	3509-14C	3509-14C	3509-14C	3510-14C	3510-14C	3510-14C
17	O-RING	WK-109N	WK-109N	WK-109N	204N	204N	204N
18	POPPET RETAINER	3509ST-14	3509ST-14	3509ST-14	3510ST-14	3511ST-14	3511ST-14
19	SEAL RING	3509-12	3509-12	3509-12	3510-12	3511-12	3511-12
20	SEAT ASSEMBLY, #1 POPPET	3709ST-180	3709ST-180	3709ST-180	3710ST-180	3711ST-180	3711ST-180
21	SEAT ASSEMBLY, #2 POPPET	3507ST-180	3509ST-180	3509ST-180	3510ST-180	3511ST-180B	3512ST-180B
22	#1 CHECK ASSEMBLY	3709ST-300	3709ST-300	3709ST-300	3710ST-300	3711ST-300A	3711ST-300A
23	#2 CHECK ASSEMBLY	3507ST-300B	3509ST-300B	3509ST-300B	3510ST-300B	3511ST-300B	3512ST-300B
24	SENSING TUBE FITTING	5758A-36	5758A-36	5758A-36	5758A-36	5758A-36	5758A-36
25	SENSING TUBE	3707-36	3707-36	3707-36	3709-36	3710-36	3710-36
26	BALL VALVE	12-850MXL	12-850MXL	12-850MXL	34-850XL	34-850XL	34-850XL
27	GASKET, COVER RETAINER	6-23-13	6-23-13	6-23-13	8-23-13	12-23-13	12-23-13
28	WASHER	N/A	N/A	N/A	N/A	3511-14E	3511-14E
29	NUT	N/A	N/A	N/A	N/A	3511-9	3511-9
30	GROOVED COUPLING	212-23	3-23	4-23	6-23	8-23	10-23
31	COUPLING GASKET	212-23-13	3-23-13	4-23-13	6-23-13	8-23-13	10-23-13

Repair Kit

RK4-350

Size 2-1/2" - 4"

RK6-350

Size 6"

RK8-350

Size 8", 10"

Part Number	Qty.	Description	Part Number	Qty.	Description	Part Number	Qty.	Description
3509-12	2	SEAL RING	3510-12	2	SEAL RING	3511-12	2	SEAL RING
351N	2	O-RING	364N	2	O-RING	273N	2	O-RING
WK-109N	8	O-RING	204N	8	O-RING	204N	12	O-RING
353N	2	Not used in 350AST						



National Fire Equipment Ltd.

TORONTO: (905) 761-6355
Toll Free: (800) 267-8508

OTTAWA: (613) 723-6071

VANCOUVER: (604) 420-1131
Toll Free: (800)-667-2138

BURNABY: (604)-299-4498

EDMONTON: (780) 455-3870
Toll Free: (888)-891-1008

CALGARY: (403) 236-5661

MONCTON: (506) 859-7277
Toll Free: (877) 816-3473

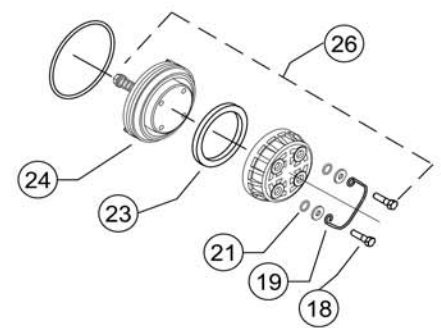
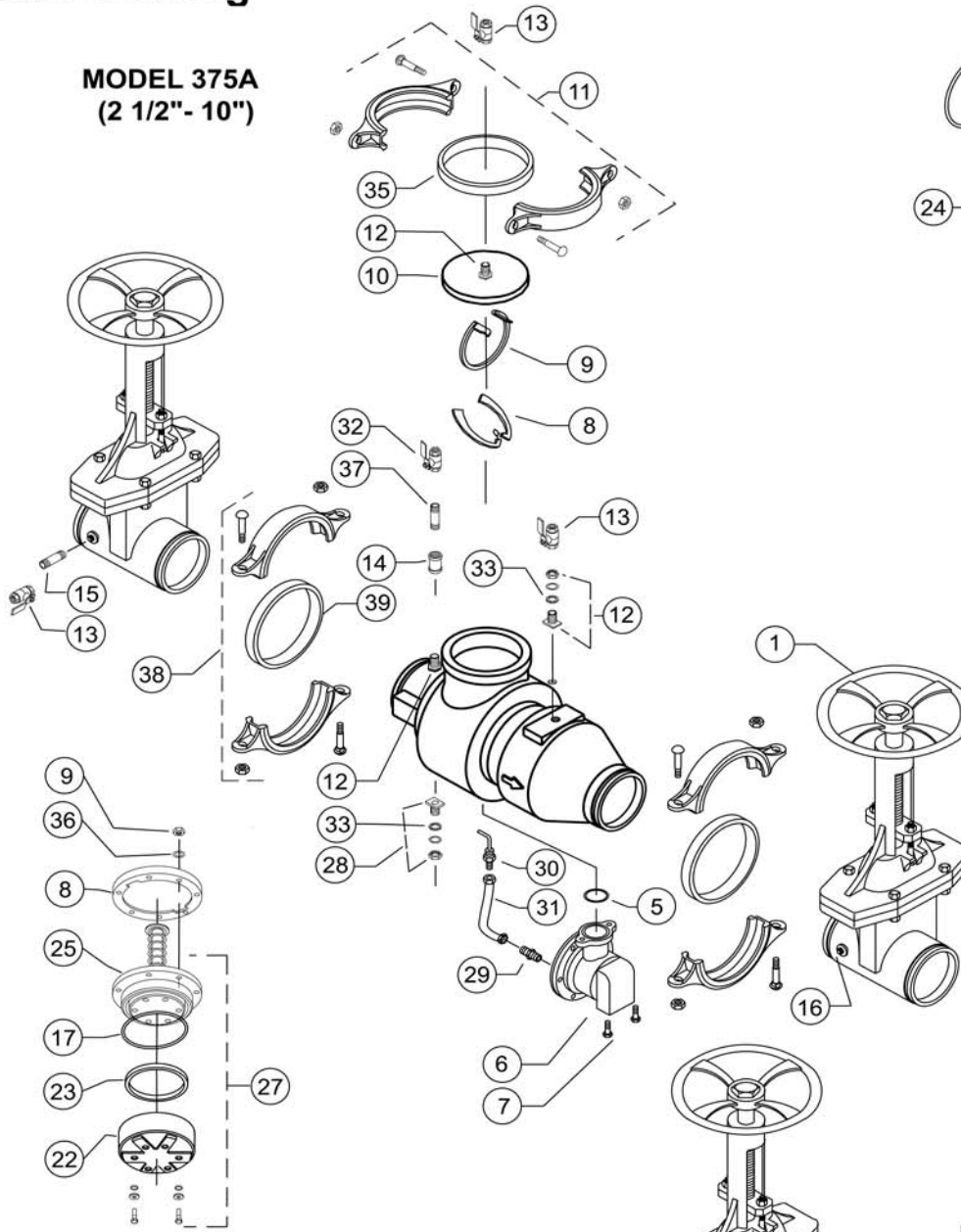
MISSISSAUGA: (905) 565-1385

www.nationalfire.com

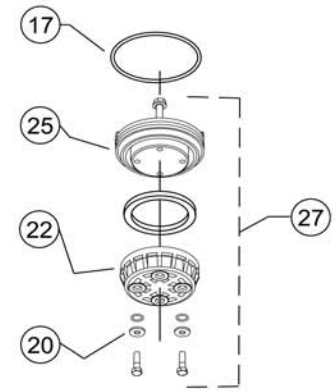
MODEL 375A – 2-1/2" to 10" MODEL 375 – 4" to 10" Parts Drawing



**MODEL 375A
(2 1/2" - 10")**

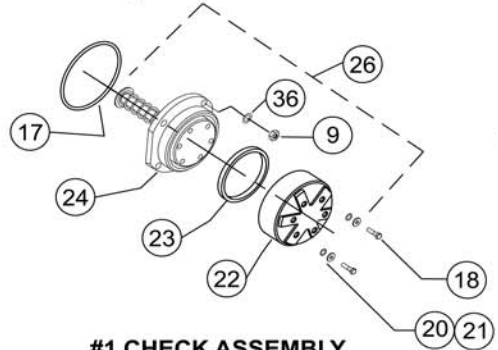


**#1 CHECK ASSEMBLY
(375 4" & 6")
(375A 2 1/2" - 6")**



**#2 CHECK ASSEMBLY
(375 4" & 6")
(375A 2 1/2" - 6")**

**#2 CHECK ASSEMBLY
(375 & 375A 8" & 10")**



**#1 CHECK ASSEMBLY
(375 & 375A 8" & 10")**

MODEL 375 (4" - 10")

