

MODEL 350

Double Check

Backflow Preventers 3/4" & 1"

WILKINS

a ZURN company

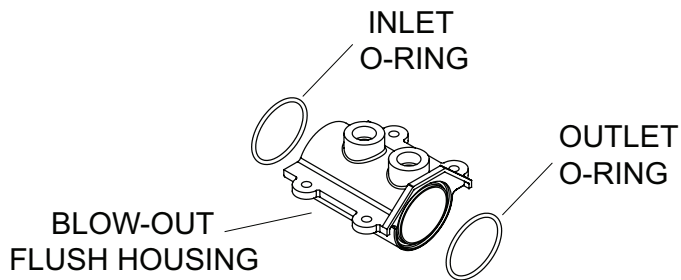
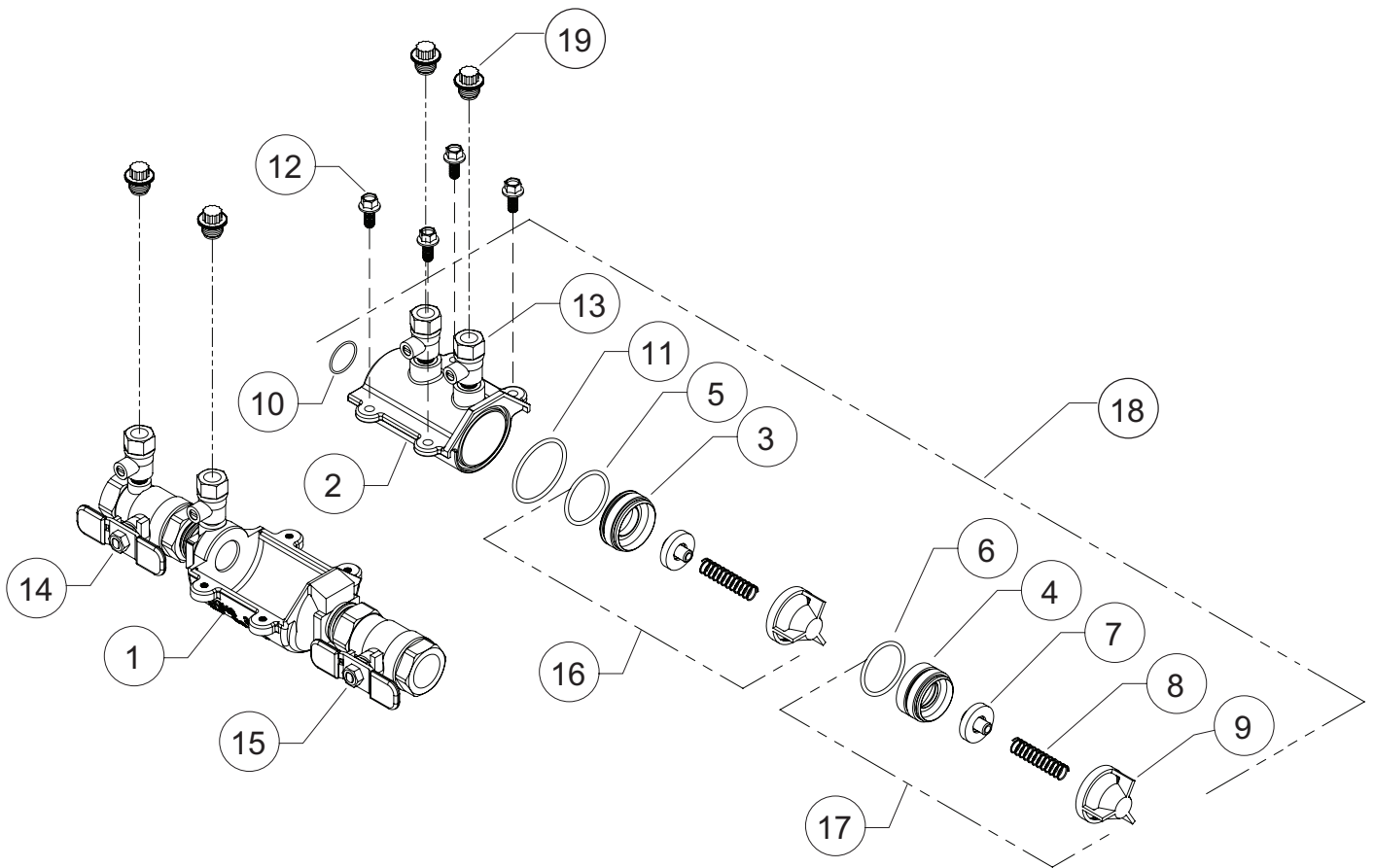
ITEM NO.	DESCRIPTION	3/4"	1"
1	BODY	352-1-010F	353-1-010F
2	HOUSING	352-1A	353-1A
3	#1 SEAT	352-18A	353-18A
4	#2 SEAT	352-18B	353-18B
5	O-RING #1	WK-125N	131N
6	O-RING #2	126N	132N
7	POPPET	352-30	353-30
8	SPRING	352-33	353-33
9	SLEEVE	352-2	353-2
10	O-RING, HOUSING INLET	214N	220N-80
11	O-RING, HOUSING OUTLET	223N	226N-80
12	SCREWS	352-11	352-11
13	TEST COCKS	18-860	18-860
14	BALL VALVE, INLET	34-850T	1-850T
15	BALL VALVE, OUTLET	34-850	1-850
16	CHECK ASSEMBLY #1	352-300A	353-300A
17	CHECK ASSEMBLY #2	352-300B	353-300B
18	HOUSING ASSEMBLY	RK34-350V	RK1-350V
19	TEST COCK CAP PLUG	2-7P	2-7P

REPAIR KITS

RK34-350R REPAIR KIT, RUBBER MODEL 350 3/4"			RK1-350R REPAIR KIT, RUBBER MODEL 350, 1"		
PART NO.	QTY.	DESCRIPTION	PART NO.	QTY.	DESCRIPTION
WK-125N	1	O-RING #1 CHECK ASSY	131N	1	O-RING #1 CHECK ASSY
126N	1	O-RING #2 CHECK ASSY	132N	1	O-RING #2 CHECK ASSY
214N	1	O-RING, HOUSING INLET	220N-80	1	O-RING, HOUSING INLET
223N	1	O-RING, HOUSING OUTLET	226N-80	1	O-RING, HOUSING OUTLET
352-30	2	POPPET	353-30	2	POPPET

RK34-350 REPAIR KIT, COMPLETE MODEL 350, 3/4"			RK1-350 REPAIR KIT, COMPLETE MODEL 350, 1"		
PART NO.	QTY.	DESCRIPTION	PART NO.	QTY.	DESCRIPTION
352-300A	1	#1 CHECK ASSEMBLY	353-300A	1	#1 CHECK ASSEMBLY
352-300B	1	#2 CHECK ASSEMBLY	353-300B	1	#2 CHECK ASSEMBLY
214N	1	O-RING, HOUSING INLET	220N-80	1	O-RING, HOUSING INLET
223N	1	O-RING, HOUSING OUTLET	226N-80	1	O-RING, HOUSING OUTLET

RK34-350V REPAIR KIT, VESSEL MODEL 350, 3/4"			RK1-350V REPAIR KIT, VESSEL MODEL 350, 1"		
PART NO.	QTY.	DESCRIPTION	PART NO.	QTY.	DESCRIPTION
ITEM 18	1	HOUSING ASSEMBLY	ITEM 18	1	HOUSING ASSEMBLY



RK34-350BOF
RK1-350BOF

RK34-350BOF			RK1-350BOF		
BLOW OUT/FLUSH FITTING MODEL 350, 3/4"			BLOW OUT/FLUSH FITTING MODEL 350, 1"		
PART NO.	QTY.	DESCRIPTION	PART NO.	QTY.	DESCRIPTION
352-1BOF	1	HOUSING, BLOW OUT/FLUSH, 3/4"	353-1BOF	1	HOUSING, BLOW OUT/FLUSH, 1"
218N	1	O-RING, HOUSING INLET	223N-80	1	O-RING, HOUSING INLET
223N-80	1	O-RING, HOUSING OUTLET	226N-80	1	O-RING, HOUSING OUTLET

MODEL 350

Double Check Backflow Preventers 1-1/4" to 2"

WILKINS
a **ZURN** company

ITEM NO.	DESCRIPTION	1-1/4"	1-1/2"	2"
1	HOUSING	354-1A	354-1A	354-1A
2	INTEGRAL INLET BV	374-48A	375-48A	376-48A
3	O-RING	331N	331N	331N
4	SLEEVE	374-2	374-2	374-2
5	O-RING	337N	337N	337N
6	BOLT	352-11	352-11	352-11
7	TEST COCKS	14-860	14-860	14-860
8	BOLT	959-11B	959-11B	959-11B
9	STRUT (NOT AVAILABLE)	354-1S	354-1S	354-1S
10	INTEGRAL OUTLET BV	374-48B	375-48B	376-48B
11	SEAT, #1	374-18A	374-18A	374-18A
12	SPRING RETAINER, #1	354-80A	354-80A	354-80A
13	BOLT	374-11A	374-11A	374-11A
14	SEAL RETAINER	374-14A	374-14A	374-14A
15	SEAL WASHER	374-12A	374-12A	374-12A
16	POPPET	374-30	374-30	374-30
17	O-RING	336N	336N	336N
18	SEAT, #2	374-18B	374-18B	374-18B
19	SPRING, #2	374-33B	374-33B	374-33B
20	SPRING RETAINER, #2	374-80B	374-80B	374-80B
21	#1 CHECK ASSEMBLY	354-300A	354-300A	354-300A
22	#2 CHECK ASSEMBLY	374-300B	374-300B	374-300B
23	VESSEL W/CHECKS	RK114-350V	RK114-350V	RK114-350V
24	HOUSING, BLOW OUT/FLUSH	RK114-350-375BOF	RK114-350-375BOF	RK114-350-375BOF

REPAIR KITS

RK114-350R REPAIR KIT, RUBBER MODEL 350, 1-1/4" -2"				RK114-350 REPAIR KIT, COMPLETE MODEL 350, 1-1/4" -2"			
ITEM	PART NO.	QTY.	DESCRIPTION	ITEM	PART NO.	QTY.	DESCRIPTION
3	331N	2	O-RING	3	331N	2	O-RING
5	337N	2	O-RING	5	337N	1	O-RING
15	374-12A	2	SEAL WASHER	21	354-300A	1	#1 CHECK ASSY
17	336N	1	O-RING	22	374-300B	1	#2 CHECK ASSY

RK114-350V REPAIR KIT, VESSEL MODEL 350, 1-1/4" -2"			RK114-350-375BOF BLOW OUT/FLUSH FITTING MODEL 350/375, 1-1/4" - 2"		
ITEM	QTY.	DESCRIPTION	PART NO.	QTY.	DESCRIPTION
23	1	VESSEL W/CHECKS	353-1BOF	1	HOUSING, BLOW OUT/FLUSH, 1-1/4"
			223N-80	1	O-RING, HOUSING INLET
			226N-80	1	O-RING, HOUSING OUTLET

