



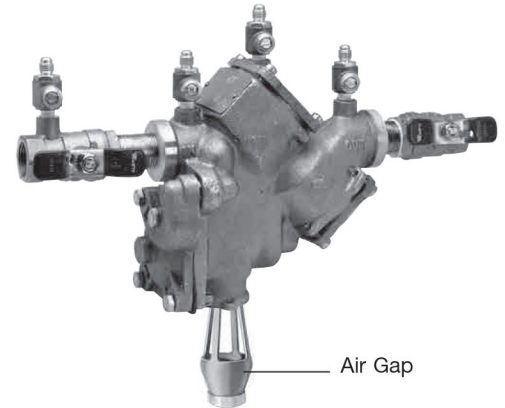
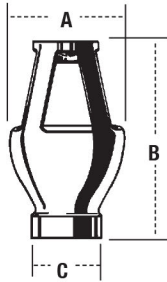
# National Fire Equipment Ltd.



## Air Gaps, Elbows and Test Cocks for Reduced Pressure Zone Assemblies Air Gaps

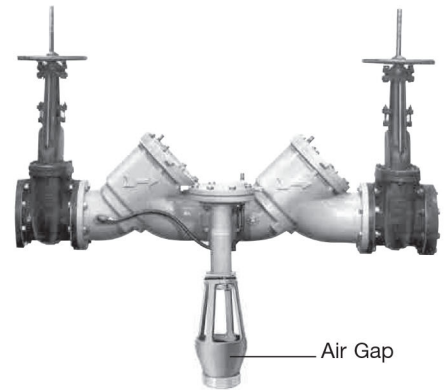
An air gap provides the unobstructed, physical separation between the discharge end of a potable water supply line and an open receiving vessel.

The installation of an air gap and drain line are recommended.



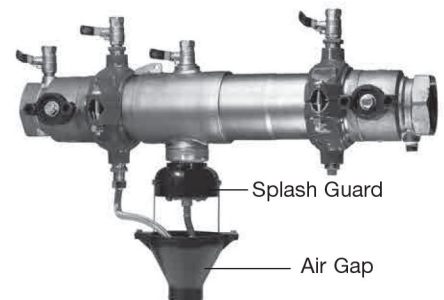
Air Gap

909 QT/LF909 QT



Air Gap

909 OSY/ LF909 OSY



Splash Guard

Air Gap

957 QT

MODEL	ORDER- ING CODE	SERIES/ SIZES	DIMENSIONS			WEIGHT				
			A in. mm	B in. mm	C (NPT) in. mm	lbs	kgs			
909AGA	0881399	1/2" - 1/2" 009/LF009	2 3/8	60	3 1/8	79	1/2	13	.63	.28
		3/4" 009/LF009M2/M3								
		1/2" - 1" 995								
909AGC	0881376	3/4" - 1" 009/LF009, 909/LF909	3 1/4	83	4 7/8	124	1	25	1.50	.68
		1" - 1 1/2" 009/LF009M2								
		1 1/4" - 2" 995								
909AGF	0881378	1 1/4" - 3" 009/LF009, 909/LF909	4 3/8	111	6 3/4	171	2	51	3.25	1.47
		1 1/4" - 2" 009/LF009M1								
		2" 009/LF009M2								
909AGK	0881385	4" - 6" 909/LF909	6 3/8	162	9 5/8	244	3	76	6.25	2.83
		4" - 10" 909RPDA								
		8" - 10" 909/LF909M1								
909AGM	0881387	8" - 10" 909/LF909	7 3/8	187	11 1/4	286	4	102	15.50	7.03
919 AGC	0881576	3/4" - 1" 919/LF919	2 3/8	60	3 1/8	79	1/2	13	0.63	0.28
919 AGF	0881577	1 1/4" - 2" 919/LF919	4 3/8	111	8 1/2	216	2	51	3.5	1.6
957AG	0690100	2 1/2" - 10" 957	7 1/2	190	12	304	2	51	1.50	.68

### Splash Guard

994AGK-P	0881397	2 1/2" - 10" 994	8	203	11 1/4	286	2	51	1.50	0.68
995-AG	0439190	3" - 6" 995	5	127	8	203	2	51	-	-
957AG	0111815	2 1/2" - 10" 957	4 3/4	119	2 1/2	62	-	-	.4	0.18

### NOTICE

Inquire with governing authorities for local installation requirements



National Fire  
Equipment Ltd.

TORONTO: (905) 761-6355  
Toll Free: (800) 267-8508

OTTAWA: (613) 723-6071

VANCOUVER: (604) 420-1131  
Toll Free: (800)-667-2138

BURNABY: (604)-299-4498

EDMONTON: (780) 455-3870  
Toll Free: (888)-891-1008

CALGARY: (403) 236-5661

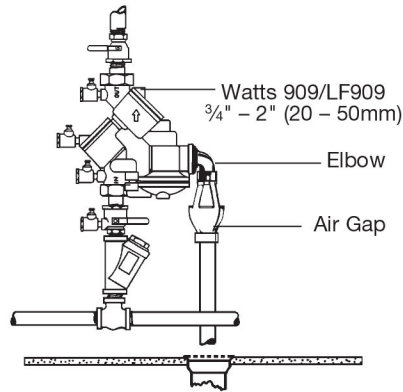
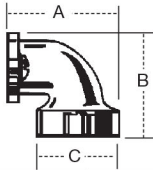
MONCTON: (506) 859-7277  
Toll Free: (877) 816-3473

MISSISSAUGA: (905) 565-1385

www.nationalfire.com

## Vent Elbows

Used with Watts air gaps for vertical installation of Reduced Pressure Zone Assemblies.



### Vertical (Up) Installation of Backflow Preventer

#### NOTICE

Inquire with governing authorities for local installation requirements

MODEL NO.	MATERIAL	ORDERING CODE	SERIES/ SIZES	DIMENSIONS			WEIGHT	
				A in. mm	B in. mm	C in. mm	lbs	kgs
909EL-A	Bronze	0881370	1/4"-1/2" 009/LF009 3/4" 009/LF009M2/M3 1/2"-1" 995	—	—	—	—	—
909EL-C	Iron	0881380	3/4"-1" 009/LF009, 909/LF909 1"-1 1/2" 009/LF009M2 1 1/4"-2" 995	2 3/8 60	2 3/8 60	—	—	.38 .17
909EL-F	Gray Cast Iron with Zinc Phosphate Primer	0881382	1 1/4"-2" 009/LF009M1 1 1/4"-2" 009/LF009, 909/LF909 2" 009M2	3 5/8 92	3 5/8 92	—	—	2 .91
909EL-H		0881384	2 1/2"-3" 009/LF009, 909/LF909	—	—	2	51	—
(vertical)								
919 EL-C	Bronze	0881578	3/4"-1" 919/LF919	2 1/4 57	2 5/8 67	—	—	0.63 0.28
919 EL-F	Cast Iron	0881579	1 1/4"-2" 919/LF919	5 1/4 133	4 102	—	—	2 0.9
994EL-F	Steel Epoxy Coated	0881396	2 1/2"-10" 994	4 7/8 124	9 229	2	51	4 1.8

## Test Cocks - Lead Free\*

### LFTC

For use with backflow preventers, isolation valve for gauges, isolation valves for small equipment lines.

- Full port ball valve design
- Screwdriver slot to open and close
- Available 1/8" M x 1/4" F (0792001) or 1/4" M x 1/4" F (0792000)



### LFTC

- 1/2" TC for 2 1/2" - 4" (65 - 100mm)\*\* series 757 and 957 (0792520)
- 3/4" TC for 6" - 10" (150 - 250mm)\*\* series 757 and 957 (0792521)
- 3/4" TC for 6" - 10" (150 - 250mm)\*\* with MNPT thread (0792525)
- Full port ball valve design



### LFSAE-TC

- Full port ball valve design
- Screwdriver slot operation
- Available 1/8" M x SAE (0792002)

### No. 3 LFTC with O-Ring

- for 2 1/2" - 4" (65 - 100mm)\*\* series 757 and 957 (0792522)
- for 6" - 10" (150 - 250mm)\*\* series 757 and 957 (0792523)

\*The wetted surface of this product contacted by consumable water contains less than 0.25% of lead by weight.

\*\*Metric Dimensions are nominal pipe diameter.

## Accessories Cap & Tether

### Plastic Cap & Tether

(four required per backflow preventer)

- Fits 1/4" Female test cocks
- Plastic dust cap and rubber tether
- RK-TC 1/8 (0888846)



### SAE-TC Brass Cap

- Protects SAE-TC from dirt and debris (0006902)

### SAE-TC Adapter

- 1/4" female SAE x 7/16" FPT
- Adapts to SAE-TC for use with pressure gauge and/or site tube
- SAE-TC Adapter (0006903)



### Brass Cap & Plastic Tether

(four required per backflow preventer)

- Fits 1/8" M x SAE test cocks
- Brass dust cap with O-ring seal and rubber tether
- RK-SAE-TC (0888845)

