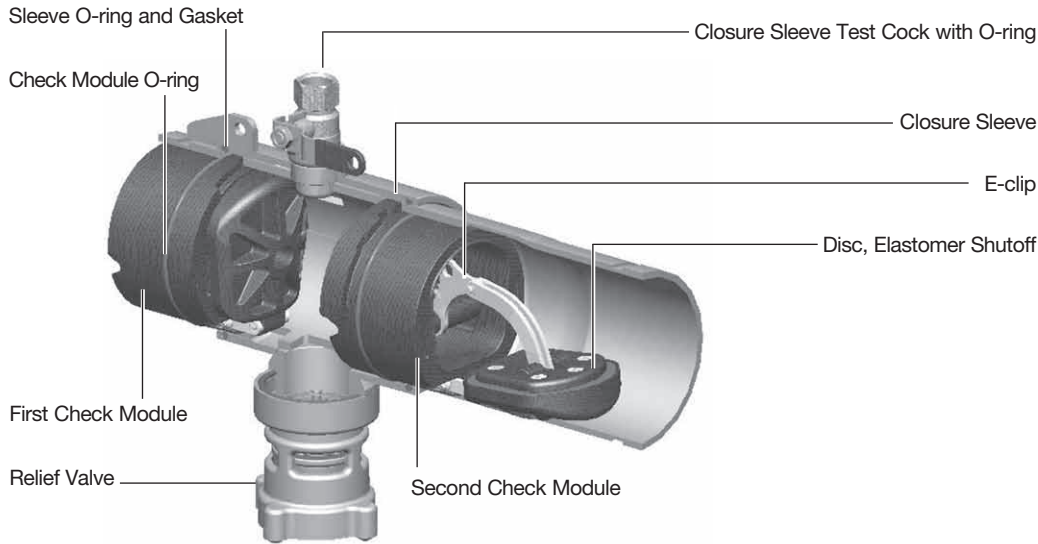


Series 957, 957N, 957Z, 957RPDA, LF957RPDA, 957NRPDA, LF957NRPDA, 957ZRPDA, LF957ZRPDA Check Repair Kits



ORDERING NO.	SIZE		DISC	MODEL
	in.	mm		

1st Check Kits

7018129	2½ - 4	65-100	EPDM	RK 957/957RPDA CK1
0889370	2½ - 4	65-100	RED SILICONE	RK 957/957RPDA CK1-RS
7018132	6	150	EPDM	RK 957/957RPDA CK1
0889374	6	150	RED SILICONE	RK 957/957RPDA CK1-RS
7018135	8	200	RED SILICONE	RK 957/957RPDA CK1
0899215	10	250	RED SILICONE	RK 957/957RPDA CK1

Kit consists of: First check module, Check module O-ring and Disc elastomer.

2nd Check Kits

0899216	2½ - 4	65-100	EPDM	RK 957/957RPDA CK2
0889371	2½ - 4	65-100	RED SILICONE	RK 957/957RPDA CK2-RS
0899217	6	150	EPDM	RK 957/957RPDA CK2
0889375	6	150	RED SILICONE	RK 957/957RPDA CK2-RS
0899218	8	200	RED SILICONE	RK 957/957RPDA CK2
0899219	10	250	RED SILICONE	RK 957/957RPDA CK2

Kit consists of: Second check module, Check module O-ring and Disc elastomer.

1st or 2nd Check Rubber Parts Kits

0899220	2½ - 4	65-100	EPDM	RK 957/957RPDA RC4
0889372	2½ - 4	65-100	RED SILICONE	RK 957/957RPDA RC4-RS
0899221	6	150	EPDM	RK 957/957RPDA RC4
0889376	6	150	RED SILICONE	RK 957/957RPDA RC4-RS
0899222	8	200	RED SILICONE	RK 957/957RPDA RC4
0899223	10	250	RED SILICONE	RK 957/957RPDA RC4

Kit consists of: Check module O-ring, Disc elastomer and E-clip

ORDERING NO.	SIZE		MODEL
	in.	mm	

Check Sleeve Cover Kits

0899240	2½ - 4	65-100	RK 957/957RPDA C
0899241	6	150	RK 957/957RPDA C
0899242	8	200	RK 957/957RPDA C
0899243	10	250	RK 957/957RPDA C

Kit consists of: Closure sleeve, Sleeve O-ring and gasket.

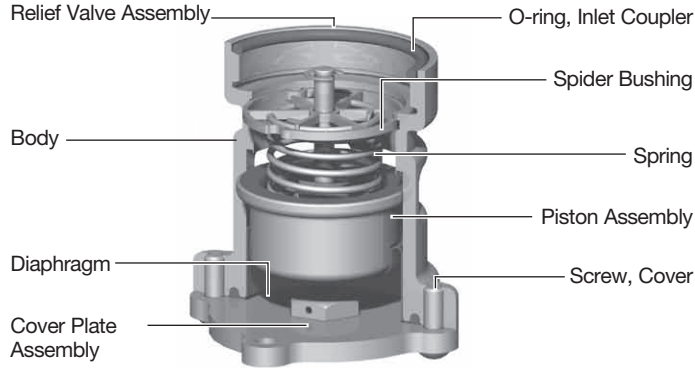
ORDERING NO.	SIZE		DISC	MODEL
	in.	mm		

Total Rubber Parts Kits

0899244	2½ - 4	65-100	EPDM	RK 957/957RPDA RT
0889373	2½ - 4	65-100	RED SILICONE	RK 957/957RPDA RT-RS
0899245	6	150	EPDM	RK 957/957RPDA RT
0889377	6	150	RED SILICONE	RK 957/957RPDA RT-RS
0899246	8	200	RED SILICONE	RK 957/957RPDA RT
0899247	10	250	RED SILICONE	RK 957/957RPDA RT

Kit consists of: 1st and 2nd Check module O-ring, (2) Disc elastomer, (2) E-clips, Relief valve diaphragm, Relief valve inlet coupler O-ring and Relief valve piston assembly.

Series 957, 957N, 957Z, 957RPDA, LF957RPDA, 957NRPDA, LF957NRPDA, 957ZRPDA, LF957ZRPDA Relief Valve Kits



ORDERING NO.	USE FOR	MODEL
Relief Valve Hose		
0298120	2½" – 4" (65-100mm) 957, 957RPDA	½ x ½ CFC-S-CFx20
0298121	2½" & 3" (65,80mm) 957, 957RPDA N & Z	½ x ½ CFC-S-CFx24
0298122	6" (150mm) 957, 4" 957N 2½", 3", 4" (65,80,100mm) 957Z 6", 8" (150,200mm) 957RPDA 4", 6", 8" (100,150,200mm) 957RPDA N & Z 2½", 3", 4" (65,80,100mm) 957RPDA BFG 2½", 3", 4", 6" (65,80,100,150mm) 957RPDA BFG N & Z	½ x ½ CFC-S-CFx30
0298123	8" & 10" (200 & 250mm) 957 6", 8", 10" (150, 200, 250mm) 957 N & Z 10" (250mm) 957RPDA N & Z 6" & 8" (150, 200mm) 957RPDABFG N & Z	½ x ½ CFC-S-CFx36

ORDERING NO.	SIZE in. mm	MODEL
Relief Valve Total Kit		
0899232	2½ - 10 65-250	RK 957/957RPDA VT

Kit consists of: Complete relief valve assembly

ORDERING NO.	SIZE in. mm	MODEL
Relief Valve Rubber Parts Kit		
0899236	2½ - 10 65-250	RK 957/957RPDA RV

Kit consists of: Diaphragm, Inlet coupler O-ring and Piston assembly

ORDERING NO.	SIZE in. mm	MODEL
Air Gap		
0111764	2½ – 10 65-250	957AG
0111815	2½ – 10 65-250	957AG Splash Guard

Series 957, 957RPDA, LF957RPDA Troubleshooting Guide

	#1 check is fouled	Remove and Clean #1 check
Relief valve discharges water while system is not flowing	Relief valve does not properly close	Service relief valve
	Municipal water pressure is fluctuating	Install check valve upstream of backflow assembly
Relief valve does not shut off properly	Fouled relief valve seat	Service relief valve
	Incorrectly installed diaphragm	Remove diaphragm and correctly install
	Damaged rubber surface on piston	Replace with new piston
	Damaged or plugged pressure hose	Repair or replace hose.