

Service, Replacement Parts and Maintenance

Servicing the First and Second Check Valves

NOTE: Before servicing be certain water is turned off or shutoff valves are closed

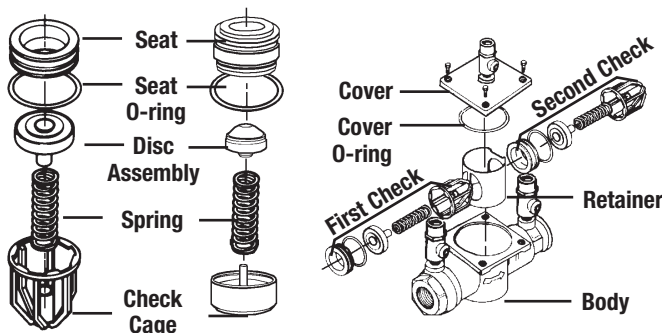
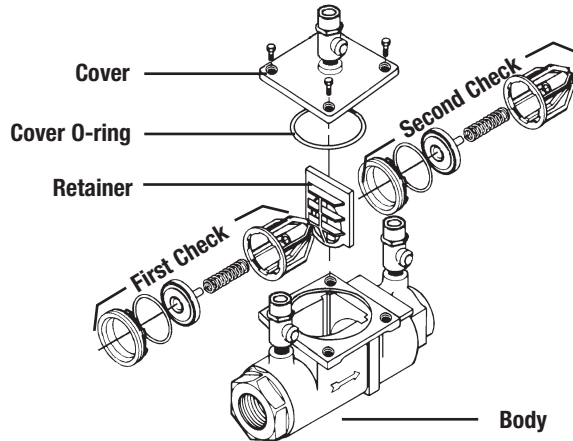
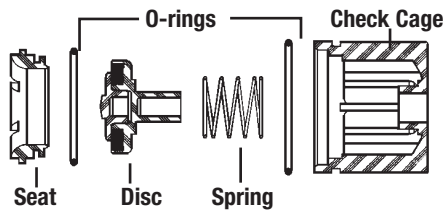
1. After removing the cover, remove the retainer for the body bore. The check valve modules can now be removed from the valve by hand or with a screwdriver.

Note: For Series 007 sizes 1/2" - 2" (15-50mm), the seats and springs of the first and second check modules are not interchangeable. The heavier spring and smaller diameter seat belong with the first check module. Series 007M1 sizes 3/4" - 1" (20-25mm) and Series 007M2 3/4" (20mm) have interchangeable seats and springs.

2. The check seats are attached to the cage with a bayonet type locking arrangement. Holding the cage in one hand, push the seat inward and rotate clockwise against the cage, for 3/4" (20mm) Series 007M2 pull apart seat and cage. The seat, cage, spring and disc assembly are now individual components.

3. The disc assembly may now be cleaned and reassembled or, depending on its condition, it may be discarded and replaced with a new assembly from the repair kit. O-rings should be cleaned or replaced as necessary.

4. Reassemble the check valve module in the reverse order. Check modules are installed in the valve body with the seats facing the valve inlet. The modules must be securely in place before the retainer can be replaced. On the 3/4" - 1" (20-25mm) size, this retainer may have to be tilted slightly into place. Replace cover.



1/2" - 2" Replacement Parts

When ordering, specify ordering code number, kit number and valve size

Check Kits: 1st or 2nd Check

ORDERING CODE	KIT NO.	SIZE	
		in.	mm
0887193	RK 007 CK4	1/2	15
0887026	RK 007M1 CK4	3/4 - 1	20-25
0887377	*RK SS007 CK4	1/2	15
0888070	*RK SS007M3 CK1	1/2 - 3/4	15-20
0888071	*RK SS007M3 CK2	1/2 - 3/4	15-20
0887393	*RK SS007M2 CK1	3/4	20
0887397	*RK SS007M2 CK2	3/4	20
0887373	*RK SS007M1 CK4	1	25

1st Check

0887023	RK 007 CK1	3/4 - 1	20-25
0887045	RK 007M2 CK1	3/4	20
0888550	RK 007M3 CK1	3/4	20
0887025	RK 007 CK1	1 1/2 - 2	40-50
0887186	RK 007M1 CK1	1 1/2 - 2	40-50
0887719	RK 007M2 CK1	1 1/4 - 1 1/2	32-40

2nd Check

0887024	RK 007 CK2	3/4 - 1	20-25
0887046	RK 007M2 CK2	3/4	20
0888551	RK 007M3 CK2	3/4	20
0887028	RK 007 CK2	1 1/2 - 2	32-50
0887187	RK 007M1 CK2	1 1/2 - 2	32-50
0887720	RK 007M2 CK2	1 1/4 - 1 1/2	32-40

Stainless Steel 1st or 2nd Check

0887022	RK 007 CK1 SS	3/4 - 1	20-25
0887030	RK 007 CK2 SS	3/4 - 1	20-25
0887032	RK 007M1 CK4 SS	3/4 - 1	20-25
0887031	RK 007 CK1 SS	1 1/2 - 2	40-50
0887035	RK 007 CK2 SS	1 1/2 - 2	40-50
0887189	RK 007M1 CK1 SS	1 1/2 - 2	40-50
0887190	RK 007M1 CK2 SS	1 1/2 - 2	40-50

Kit includes: Seat, seat o-ring, disc assembly, spring, check cage, cover o-ring.

Cover Kit

0887195	RK 007 C	1/2	15
0887036	RK 007 C	3/4 - 1	20-25
0887038	RK 007M1 C	3/4 - 1	20-25
0887039	RK 007M2 C	3/4	20
0888553	RK 007M3 C	3/4	20
0887037	RK 007 C	1 1/2 - 2	40-50
0887191	RK 007M1 C	1 1/2 - 2	40-50
0887722	RK 007M2 C	1 1/4 - 1 1/2	32-40
0887379	*RK SS007 C	1/2	15
0887380	*RK SS007M2 C	3/4	20
0888073	*RK SS007M3 C	1/2 - 3/4	15-20
0887381	*RK SS007M1 C	1	25

Kit includes: Cover and cover o-ring

Complete Rubber Parts

0887194	RK 007 RT	1/2	15
0887040	RK 007 RT	3/4 - 1	20-25
0887042	RK 007M1 RT	3/4 - 1	20-25
0887043	RK 007M2 RT	3/4	20
0888552	RK 007M3 RT	3/4	20
0887041	RK 007 RT	1 1/2 - 2	40-50
0887188	RK 007M1 RT	1 1/2 - 2	40-50
0887721	RK 007M2 RT	1 1/4 - 1 1/2	32-40
0887378	*RK SS007 RT	1/2	15
0887394	*RK SS007M2 RT	3/4	20
0888072	*RK SS007M3 RT	1/2 - 3/4	15-20
0887374	*RK SS007M1 RT	1	25

Kit includes: Cover o-ring, two seat discs and two seat o-rings.

*SS prefix denotes stainless steel body.