



# National Fire Equipment Ltd.

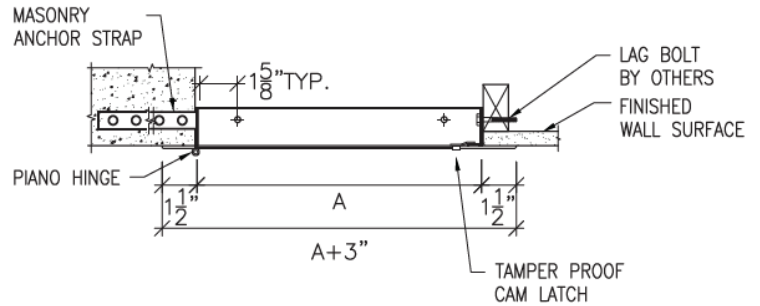
## WBMS MEDIUM SECURITY ACCESS DOOR & WBHS HIGH SECURITY ACCESS DOOR



Door and Trim	12 ga. cold rolled steel
Frame	16 ga. cold rolled steel
Hinge	Full length piano hinge
Lock	1/4-20 tamper proof screw assemblies
Finish	White powder coat paintable finish

Options (at extra cost)	<ul style="list-style-type: none"> <li>Stainless steel #304 and #316 (#4 satin finish)</li> <li>Mortise lock preparation with or without cylinder</li> <li>Air-tight Neoprene Gasketing</li> <li>Cylinder lock with key (code 151)</li> </ul>
-------------------------	---

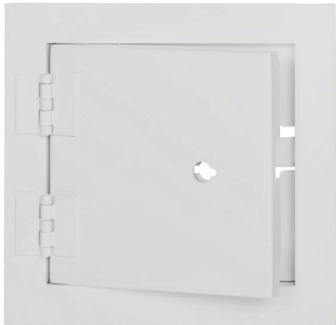
The WBMS Medium Security Access Door is the door of choice when it is necessary to assure security under institutional conditions. Most detention buildings and mental health facilities require access to vital services in or behind walls, shafts and stairwells without jeopardizing security. The door can be customized to accommodate any mortise lock specified.



Model No.	A x B Door Size	Full Length Semi-Concealed Piano Hinge	Tamper Proof Screw Locks	Shipping Weight (lbs)
WBMS-1212	12"x12"	1	1	22
WBMS-1616	16"x16"	1	3	31
WBMS-1818	18"x18"	1	3	36

Model No.	A x B Door Size	Full Length Semi-Concealed Piano Hinge	Tamper Proof Screw Locks	Shipping Weight (lbs)
WBMS-2424	24"x24"	1	4	52
WBMS-2436	24"x36"	1	5	73
WBMS-3636	36"x36"	1	9	103

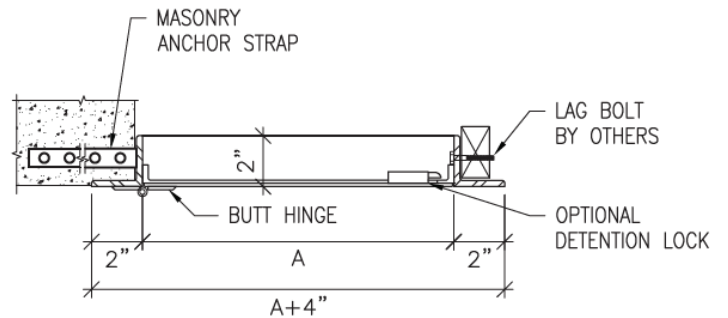
Rough wall opening = door size + 1/4"



Door and Trim	10 ga. cold rolled steel
Frame	2"x 2"x 3/16" angle
Hinge	Heavy duty type butt hinges welded to surround and door
Lock	Prepped for detention lock

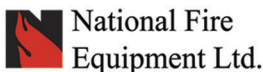
Finish	White powder coat paintable finish
Options (at extra cost)	<ul style="list-style-type: none"> <li>Stainless steel #304 and #316 (#4 satin finish)</li> <li>Custom sizes</li> <li>Detention lock and paracentric key</li> </ul>

The WBHS High Security Access Door is designed for installation where maximum security is mandatory. This door comes prepped for a detention lock for controlled access, which is sold separately. It can be prepped for custom mortise locks and requirements.



Model No.	A x B Door Size	Heavy Duty Detention Hinges	Shipping Weight (lbs) Steel/Stainless
WBHS-1212	12"x12"	2	46
WBHS-1616	16"x16"	2	56
WBHS-1818	18"x18"	2	62
WBHS-2424	24"x24"	2	82
WBHS-2436	24"x36"	3	134
WBHS-3636	36"x36"	3	140

Rough wall opening = door size + 3/4"



TORONTO: (905) 761-6355  
Toll Free: (800) 267-8508  
OTTAWA: (613) 723-6071

VANCOUVER: (604) 420-1131  
Toll Free: (800)-667-2138  
BURNABY: (604)-299-4498

EDMONTON: (780) 455-3870  
Toll Free: (888)-891-1008  
CALGARY: (403) 236-5661

MONCTON: (506) 859-7277  
Toll Free: (877) 816-3473  
MISSISSAUGA: (905) 565-1385

www.nationalfire.com