



National Fire Equipment Ltd.

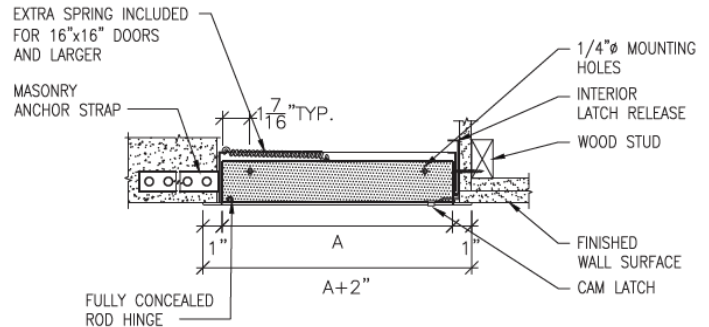
WBFR STANDARD FIRE RATED ACCESS DOOR



WBFR S

The WBFR Standard Fire Rated Access Door is designed for both wall and ceiling applications. This door has an Underwriters Laboratories (UL and ULC), 1-1/2 hour "B" label, with a maximum temperature rise of 250 degrees Celsius after 30 minutes for vertical wall installations. File # R10364. Warnock Hersey International; Pittsburgh, CA 1 hr rating for combustible floor/ceiling applications. Report. # WHI-495-PSH-0191. Warnock Hersey International, Pittsburgh, CA 3 Hr. rating for non-combustible floor/ceiling assembly, Report # WHI-495-PSH-0192. This door may be used in a 2-hour fire rated wall assembly. For fire rated ceilings, this door has been approved by Warnock Hersey International for 3 hours (*max. size to 24" x 36").

Door and Trim	18 ga. cold rolled steel
Box Return Frame	16 ga. cold rolled steel
Insulation	2" thick mineral wool contained within door cavity
Hinge	Fully concealed rod type hinge. Allows opening to 170°.
Latch	Self-latching direct-action latch, opposite hinge. Accepts both key and knurled knob, included with each door.
Automatic Panel Closer	Standard on all doors
Inside Panel Release	Standard on all doors
Finish	White powder coat paintable finish
Masonry Anchor Straps	Standard on all doors
Options (at extra cost)	<ul style="list-style-type: none"> Mortise lock preparation Stainless steel #304 and #316 (#4 satin finish) Pemko hot smoke seal gasketing Custom sizes available
Ceiling Installation	To comply with current fire regulations, largest size acceptable is 24" x 36"



WBFR STANDARD ULTRA FIRE RATED ACCESS DOOR



The WBFR Standard Ultra Access Door features a paddle latch with WB 151 key cylinder lock.



WBFR S ULTRA

WBFR STANDARD AND ULTRA ACCESS DOORS

For WBFR Standard use WBFRS

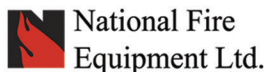
For WBFR Ultra use WBFRSU

Model No.	A x B Door Size	Slam Catch	Hinges	Shipping Weight (lbs) Steel/Stainless
WBFRS-88	8"x8"	1	1	7
WBFRS-1010	10"x10"	1	1	10
WBFRS-1212	12"x12"	1	1	11
WBFRS-1218	12"x18"	1	1	19
WBFRS-1224	12"x24"	1	1	18
WBFRS-1414	14"x14"	1	1	15
WBFRS-1616	16"x16"	1	1	18
WBFRS-1818	18"x18"	1	1	21
WBFRS-1824	18"x24"	1	1	26
WBFRS-2020	20"x20"	1	1	26
WBFRS-2030	20"x30"	2	1	38
WBFRS-2136	21"x36"	2	1	43
WBFRS-2222	22"x22"	1	1	29
WBFRS-2224	22"x24"	1	1	30
WBFRS-2230	22"x30"	2	1	37

Model No.	A x B Door Size	Slam Catch	Hinges	Shipping Weight (lbs) Steel/Stainless
WBFRS-2236	22"x36"	2	1	43
WBFRS-2424	24"x24"	1	1	31
WBFRS-2430	24"x30"	2	1	40
WBFRS-2436	24"x36"	2	1	46
WBFRS-2448	24"x48"	2	1	62
WBFRS-3030	30"x30"	2	1	50
WBFRS-3232	32"x32"	2	1	54
WBFRS-3636	36"x36"	2	1	67
WBFRS-3636	36"x48"	2	1	83
WBFRS-4848	48"x48"	2	1	104

Rough wall opening = door size + 1/4"

Note: For fire-rated ceiling access doors, on size 16" x 16" and larger, extra spring supplied with door must be attached from back of door pan to framing or floor above. In horizontal (ceiling) applications door has self-assisted closing.



TORONTO: (905) 761-6355
Toll Free: (800) 267-8508

VANCOUVER: (604) 420-1131
Toll Free: (800)-667-2138

EDMONTON: (780) 455-3870
Toll Free: (888)-891-1008

MONCTON: (506) 859-7277
Toll Free: (877) 816-3473

OTTAWA: (613) 723-6071

BURNABY: (604)-299-4498

CALGARY: (403) 236-5661

MISSISSAUGA: (905) 565-1385

www.nationalfire.com