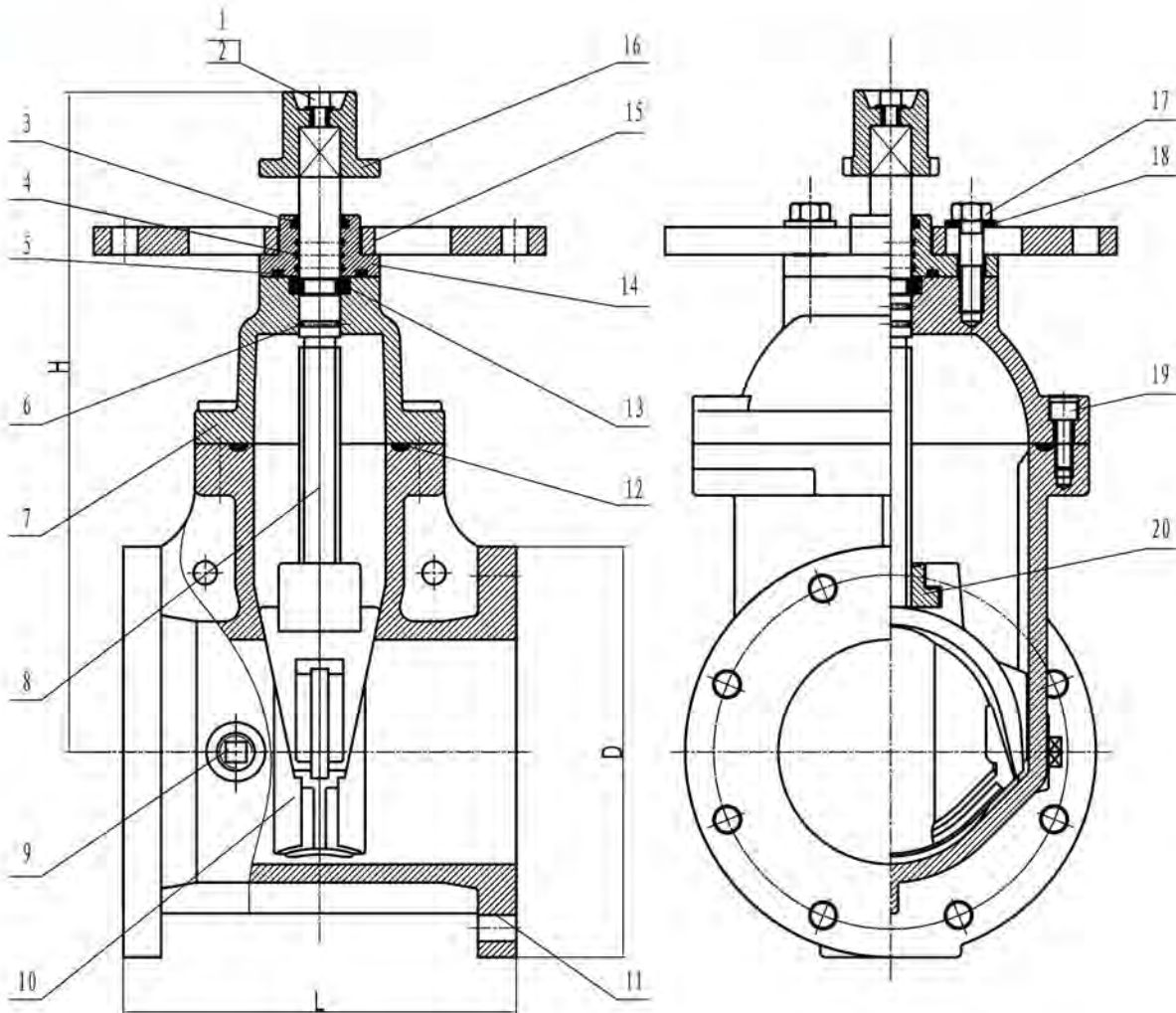




# National Fire Equipment Ltd.

## Model NRSF N.R.S. Gate Valve 2.5" - 12" (300PSI)



Dimension Chart in mm

SIZE	2.5"	3"	4"	5"	6"	8"	10"	12"
DN	65	80	100	125	150	200	250	304
L	190	203	229	254	267	292	330	356
D	178	191	229	254	279	343	406	483
H	292	322	342	412	448	534	635	720

All valves are UL/ULC and F.M. approved.

300PSI GATE VALVE

VALVE SIZE	CV(FULL OPEN)
2.5"	350
3"	660
4"	1000
5"	1425
6"	2300
8"	4115
10"	6500
12"	8524

Meets the requirements of NSF/ANSI Standard 61

WORKING PRESSURE: 300PSI (2.5"-12")  
WORKING TEMPERATURE: 0°C - 80°C (32°F - 176°F)

### Design and Technical Specifications

1. Design Standard: AWWA515
2. Working Pressure: 175, 200, 250, 300PSI
3. Flange Standard: ASME/ ANSI B16, 1 Class 125 or GB/T9113. 1;
4. Face to Face Standard: ASME B16. 10;
5. Electrostatic Spraying both inside and outside the body

NO.	Name	QTY.	Material	Size Remark
20	Stem Nut	1	C95400/CF8	
19	Hexagon Socket Screw	N	STEEL/S.5304	GB/T 70.1-2000
18	Washer	Z	STEEL/S.5304	
17	Bolt	Z	STEEL/S.5304	GB/T 5782-2000
16	Wrench Nut	1	DI	
15	Post Flange	1	DI	
14	Gland	1	DI	
13	Retaining Ring	2	C95400	
12	Sealing Ring	1	EPDM	
11	Body	1	DI	
10	Disc	1	EPDM+DI	
9	Plug	2	Steel/S.5304/C95400	
8	Stem	1	C95400/S.5304	
7	Bonnet	1	DI	
6	O-Ring	1	EPDM	GB/T 3452.1-2005
5	Sealing Ring	1	EPDM	GB/T 3452.1-2005
4	O-Ring	3	EPDM	GB/T 3452.1-2005
3	Sealing Ring	1	EPDM	
2	Hexagon Socket Screw	1	STEEL/S.5304	GB/T 70.1-2000
1	Flat Washer	1	STEEL/S.5304	GB/T 95-2002

No.	Description	Weight (KG)
NRSF250	GATE VLV NRS 2.5"	20.2
NRSF400	GATE VLV NRS 4"	34
NRSF600	GATE VLV NRS 6"	71.2
NRSF800	GATE VLV NRS 8"	112



National Fire  
Equipment Ltd.

TORONTO: (905) 761-6355  
Toll Free: (800) 267-8508

OTTAWA: (613) 723-6071

VANCOUVER: (604) 420-1131  
Toll Free: (800)-667-2138

BURNABY: (604)-299-4498

EDMONTON: (780) 455-3870  
Toll Free: (888)-891-1008

CALGARY: (403) 236-5661

MONCTON: (506) 859-7277  
Toll Free: (877) 816-3473

MISSISSAUGA: (905) 565-1385

www.nationalfire.com

09072022