



National Fire Equipment Ltd.

SHOTGUN VALVE

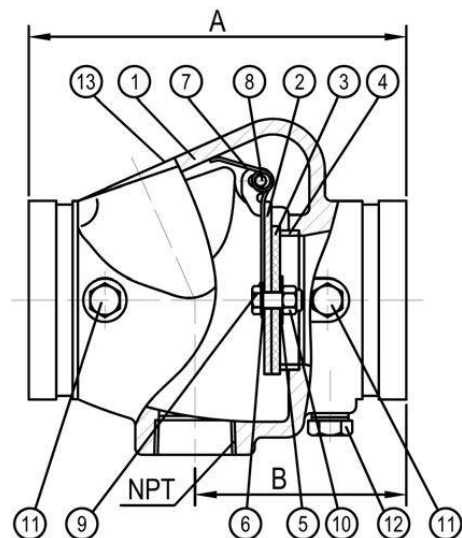
CKVE-GD8351 350PSI Grooved-End Riser (Shotgun) Check Valve

- Installed in both horizontal or vertical line (upward flow only)
- Easy and fast to maintain and install
- Low pressure drop
- EPDM non-stick leak tight sealing
- All stainless steel wetted parts for superior corrosion resistance
- FM approved & UL/ULC listed



Material Specifications

PART	SPECIFICATION
1. Body	Ductile Iron ESTM E 536
2. Seat	Bronze
3. Clapper	Stainless Steel 304
4. Facing Seal	EPDM Rubber
5. Clamping Ring	Stainless Steel 304
6. Gasket	EPDM Rubber
7. Spring	Stainless Steel 304
8. Hinge Pin	Stainless Steel 304
9. Bolt	Stainless Steel 304
10. Locknut	Stainless Steel 304
11. Plug 1/4" NPT	Carbon Steel
12. Plug 1/2" NPT	Carbon Steel



Dimensions

Part Number	Size		OD mm	A		B		NPT In	Weight	
	In.	mm		In.	mm	In.	mm		lbs	kg
CKVE-GD8351-2	2	50	60.3	6.65	169	3.54	90	NPT 1"	5.5	2.5
CKVE-GD8351-212	2-1/2	65	73.0	7.2	183	3.86	98	NPT 1 1/4"	8.8	4
CKVE-GD8351-3	3	80	88.9	7.8	198	4.29	109	NPT 1 1/4"	13	6
CKVE-GD8351-4	4	100	114.3	8.58	218	4.80	122	NPT 2"	20	9
CKVE-GD8351-5	5	125	141.3	9.76	248	5.39	137	NPT 2"	33	15
CKVE-GD8351-6	6	150	168.3	10.63	270	5.82	148	NPT 2"	42	19
CKVE-GD8351-8	8	200	219.1	12.8	325	7.28	185	NPT 2"	77	35

Performance Data

Formulas for C_V Values

$$P = \frac{Q^2}{C_V^2} \Delta$$

Where: Q – Flow rate (gallons per minute: GPM)

ΔP = Pressure drop across valve (PSI)

C_V = Flow coefficient

Nominal Pipe			Cv (Full Open)	Nominal Pipe			Cv (Full Open)	Nominal Pipe			Cv (Full Open)
Size	O.D.	O.D.		Size	O.D.	O.D.		Size	O.D.	O.D.	
In.	mm	mm		In.	mm	mm		In.	mm	mm	
2	50	60.3	100	4	100	114.3	390	6	150	168.3	1000
2 1/2	65	73	140	5	125	141.3	700	8	200	219.1	1800
3	80	88.9	250								

