

Series 909, LF909

Reduced Pressure Zone Assemblies

Sizes 2½" – 10"

Check valve kits

When ordering specify Ordering Code, Kit No., and Valve Size.

ORDERING CODE	KIT NO.	SIZE
---------------	---------	------

First Check Kits

LEAD FREE*	ORDERING CODE	KIT NO.	SIZE
	0794096	LFRK 909 CK1	2½" – 3"
	0794097	LFRK 909 CK1	4"
	0794098	LFRK 909 CK1	6"
	0794099	LFRK 909 CK1	8"
	0794100	LFRK 909 CK1	10"

Second Check Kits

LEAD FREE*	ORDERING CODE	KIT NO.	SIZE
	0794101	LFRK 909 CK2	2½" – 3"
	0794102	LFRK 909 CK2	4"
	0794103	LFRK 909 CK2	6"
	0794104	LFRK 909 CK2	8"
	0794105	LFRK 909 CK2	10"

Kit consists of: disc & spring assembly, cover O-ring and lubricant.

Seat Kits

LEAD FREE*	ORDERING CODE	KIT NO.	SIZE
	0794106	LFRK 909 S	2½" – 3"
	0794107	LFRK 909 S	4"
	0794108	LFRK 909 S	6"
	0794109	LFRK 909 S	8"
	0794110	LFRK 909 S	10"

Kit consists of: seat, seat O-ring, cover O-ring, retainer wires and lubricant.

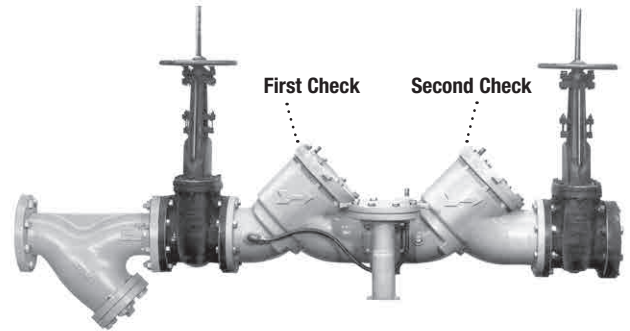
First Check Rubber Parts Kits

LEAD FREE*	ORDERING CODE	KIT NO.	SIZE
	0887220	RK 909 RC1	2½" – 3"
	0887221	RK 909 RC1	4"
	0887223	RK 909 RC1	6"
	0887224	RK 909 RC1	8"
	0887225	RK 909 RC1	10"

Second Check Rubber Parts Kits

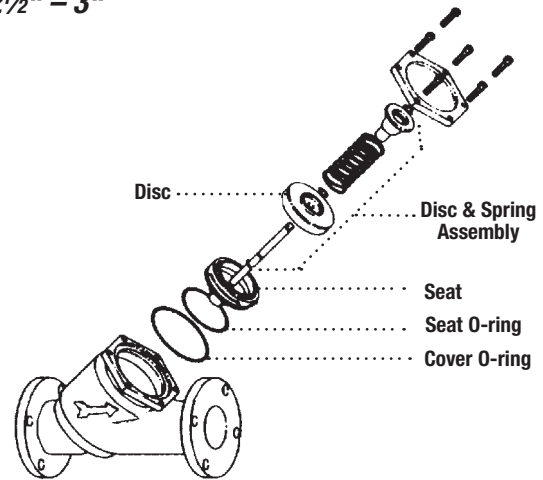
LEAD FREE*	ORDERING CODE	KIT NO.	SIZE
	0887226	RK 909 RC2	2½" – 3"
	0887227	RK 909 RC2	4"
	0887228	RK 909 RC2	6"
	0887229	RK 909 RC2	8"
	0887230	RK 909 RC2	10"

Kit consists of: upper and lower check stem O-ring (6" only), check disc, cover O-ring and lubricant.

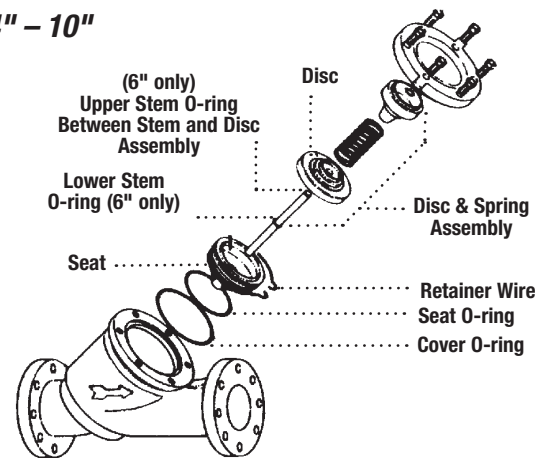


First and second checks are not interchangeable.

2½" – 3"



4" – 10"



***WARNING:**
Spring assembly is factory assembled. DO NOT DISASSEMBLE.

ORDERING CODE	KIT NO.	SIZE	LIST PRICE
---------------	---------	------	------------

Cover Kits for Checks

LEAD FREE*	ORDERING CODE	KIT NO.	SIZE	LIST PRICE
	0887740	RK 909 C	2½" – 3"	\$313.05
	0887741	RK 909 C	4"	349.39
	0887742	RK 909 C	6"	489.33
	0887743	RK 909 C	8"	866.12
	0887744	RK 909 C	10"	1,938.52

Kit consists of: cover, cover O-ring and lubricant.

*The wetted surface of this product contacted by consumable water contains less than 0.25% of lead by weight.