

Series 009, LF009

Reduced Pressure Zone Assemblies

Sizes 1 1/4" - 2"

Repair Kits

When ordering specify Ordering Code, Kit No., and Valve Size.

ORDERING CODE	KIT NO.	SIZE
---------------	---------	------

Total Repair Kits

LEAD FREE	ORDERING CODE	KIT NO.	SIZE
	0887794	RK 009M2-T	1 1/4" - 1 1/2"
	0887284	RK 009-T	1 1/4" - 2"
	0887269	RK 009M1-T	1 1/4" - 2"
LEAD FREE	0887795	RK 009M2-T	2"

Kit consists of: relief valve repair kit, first check repair kit, second check repair kit, retainer (if plastic)

Relief Valve Kits

Relief Valve Total Kits

LEAD FREE	ORDERING CODE	KIT NO.	SIZE
	0887307	RK 009M2 VT	1 1/4" - 1 1/2"
	0887277	RK 009M1 VT	1 1/4" - 2"
	0887016	RK 009 VT	1 1/4" - 2"
LEAD FREE	0887545	RK 009M2 VT	2"

Kit consists of: RV assembly, seat, seat O-ring, cover O-ring, sensing passage O-ring and upper stem O-ring and RV spring.

Relief Valve Rubber Parts Kits

LEAD FREE	ORDERING CODE	KIT NO.	SIZE
	0887306	RK 009M2 RV	1 1/4" - 1 1/2"
	0887276	RK 009M1 RV	1 1/4" - 2"
	0887184	RK 009 RV	1 1/4" - 2"
LEAD FREE	0887544	RK 009M2 RV	2"

Kit consists of: diaphragm, seat O-ring, cover O-ring and sensing passage O-ring.

Complete Rubber Parts Kits

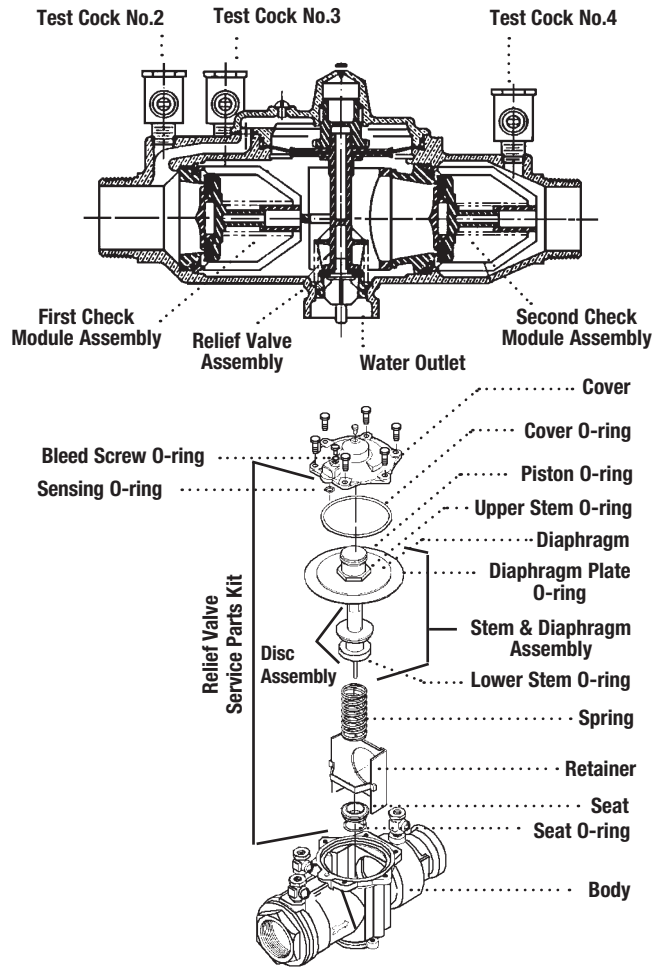
LEAD FREE	ORDERING CODE	KIT NO.	SIZE
	0887309	RK 009M2 RT	1 1/4" - 1 1/2"
	0887185	RK 009 RT	1 1/4" - 2"
	0887280	RK 009M1 RT	1 1/4" - 2"
LEAD FREE	0887547	RK 009M2 RT	2"

Kit consists of: two check assembly O-rings, two disc assemblies, one cover O-ring, one RV diaphragm, one RV seat O-ring, one sensing passage O-ring, one diaphragm plate O-ring, one RV lower stem O-ring, one RV upper stem O-ring, one RV disc assembly and one bleed screw O-ring.

Cover Kits

LEAD FREE	ORDERING CODE	KIT NO.	SIZE
	0794047	LFRK 009M2 C	1 1/4" - 1 1/2"
	0794048	LFRK 009M2 C	2" 009M2
			1 1/4" - 2" 009/009M1

Kit consists of: cover, cover O-ring, sensing passage O-ring, bleed screw O-ring, vent hood and bleed screw.



2

Reduced Pressure Zone Assemblies

National Fire Equipment Ltd.
Your Backflow Parts Depot!

WATTS®
Watts Water Technologies, Inc.

*The wetted surface of this product contacted by consumable water contains less than 0.25% of lead by weight.