

Series 009, LF009

Reduced Pressure Zone Assemblies

Sizes 1/4" – 2"

Check valve kits

When ordering specify Ordering Code, Kit No., and Valve Size.

1/4" – 1"

ORDERING CODE	KIT NO.	SIZE
---------------	---------	------

First Check Kits

ORDERING CODE	KIT NO.	SIZE
0887291	RK 009 CK1	1/4" – 1/2"
0887505	RK SS009 CK1	1/2"
0887000	RK 009M2 CK1	3/4"
0887515	RK SS009M3 CK1	1/4" – 3/4"
0888520	RK 009M3 CK1	3/4"
0887005	RK 009 CK1	3/4" – 1"
0887009	RK 009 CK1SS	3/4" – 1"
0887525	RK SS009 CK1	1"
0887789	RK 009 M2 CK1	1"

Kit consists of: check assembly and cover O-ring.

Second Check Kits

ORDERING CODE	KIT NO.	SIZE
0887292	RK 009 CK2	1/4" – 1/2"
0887506	RK SS009 CK2	1/2"
0887001	RK 009M2 CK2	3/4"
0887516	RK SS009M3 CK2	1/4" – 3/4"
0888521	RK 009M3 CK2	3/4"
0887007	RK 009 CK2	3/4" – 1"
0887011	RK 009 CK2SS	3/4" – 1"
0887526	RK SS009 CK2	1"
0887790	RK 009M2 CK2	1"

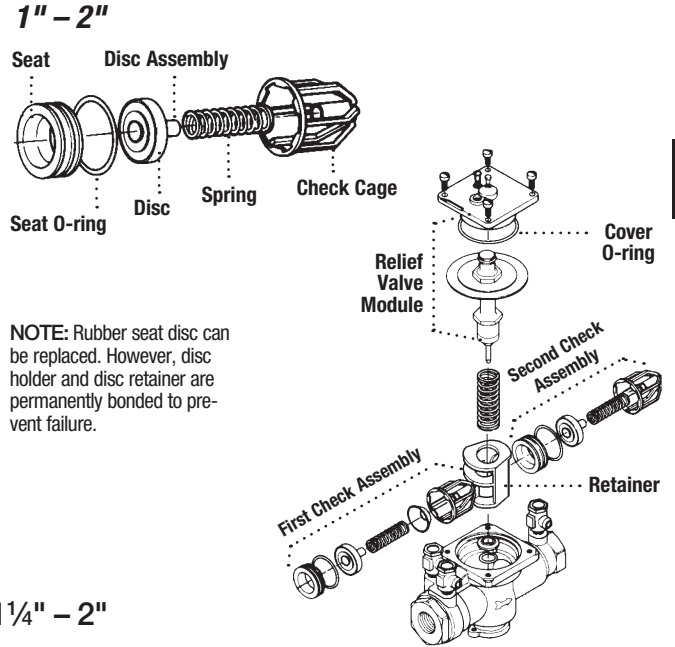
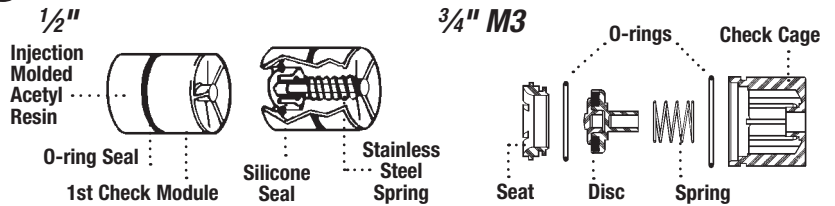
Kit consists of: check assembly and cover O-ring.

Check Rubber Parts

ORDERING CODE	KIT NO.	SIZE
0887293	RK 009 RC3	1/4" – 1/2"
0887507	RK SS009 RC1	1/2"
0887508	RK SS009 RC2	1/2"
0887003	RK 009M2 RC3	3/4"
0887507	RK SS009 RC1	1/2" – 3/4"
0888595	RK SS009M3 RC1	1/4" – 3/4"
0888596	RK SS009M3 RC2	1/4" – 3/4"
0887508	RK SS009 RC2	1/2" – 3/4"
0888522	RK 009M3 RC3	3/4"
0887017	RK 009 RC1	3/4" – 1"
0887180	RK 009 RC2	3/4" – 1"
0887527	RK 009 RC1	1"
0887528	RK 009 RC2	1"
0887791	RK 009M2 RC1	1"
0887792	RK 009M2 RC2	1"

Kit consists of: disc, cover O-ring and seat O-ring.

CHECK ASSEMBLIES



NOTE: Rubber seat disc can be replaced. However, disc holder and disc retainer are permanently bonded to prevent failure.

1 1/4" – 2"

ORDERING CODE	KIT NO.	SIZE	LIST PRICE
---------------	---------	------	------------

First Check Kits

ORDERING CODE	KIT NO.	SIZE
0887300	RK 009M2 CK1	1/4" – 1/2"
0887270	RK 009M1 CK1	1/4" – 2"
0887006	RK 009 CK1	1/4" – 2"
0887010	RK 009 CK1SS	1/4" – 2"
0887272	RK 009M1 CK1SS	1/4" – 2"
0887540	RK 009M2 CK1	2"

Kit consists of: first check assembly, cover O-ring and sensing passage O-ring.

Second Check Kits

ORDERING CODE	KIT NO.	SIZE
0887301	RK 009M2 CK2	1/4" – 1/2"
0887271	RK 009M1 CK2	1/4" – 2"
0887008	RK 009 CK2	1/4" – 2"
0887012	RK 009 CK2SS	1/4" – 2"
0887273	RK 009M1 CK2SS	1/4" – 2"
0887541	RK 009M2 CK2	2"

Kit consists of: second check assembly, cover O-ring and sensing passage O-ring.

First Check Rubber Parts Kits

ORDERING CODE	KIT NO.	SIZE
0887304	RK 009M2 RC1	1/4" – 1/2"
0887274	RK 009M1 RC1	1/4" – 2"
0887018	RK 009 RC1	1/4" – 2"
0887542	RK 009M2 RC1	2"

Kit consists of: first check assembly O-ring, disc holder assembly, cover O-ring and sensing passage O-ring.

Second Check Rubber Parts Kits

ORDERING CODE	KIT NO.	SIZE
0887305	RK 009M2 RC2	1/4" – 1/2"
0887275	RK 009M1 RC2	1/4" – 2"
0887183	RK 009 RC2	1/4" – 2"
0887543	RK 009M2 RC2	2"

Kit consists of: second check assembly O-ring, disc holder assembly, cover O-ring and sensing passage O-ring.

National Fire Equipment Ltd.
Your Backflow Parts Depot!

WATTS®
Watts Water Technologies, Inc.

*The wetted surface of this product contacted by consumable water contains less than 0.25% of lead by weight.