

Series 007, LF007, 007DCDA

Double Check Valve Assemblies Double Check Detector Assemblies

Sizes 2" – 3"

Repair Kits

When ordering specify Ordering Code, Kit No., and Valve Size.

ORDERING CODE	KIT NO.	SIZE
---------------	---------	------

First Check Kit

LEAD FREE*	ORDERING CODE	KIT NO.	SIZE
	0887980	RK 007DCDA CK1	2"
	0794006	LFRK 007 CK1	2½", 3"
	0794007	LFRK 007DCDA CK1	2½", 3"

Kit consists of: seat, seat O-ring, disc assembly, spring, spring retainer, check cage and cover O-ring.

Second Check Kit

LEAD FREE*	ORDERING CODE	KIT NO.	SIZE
	0887981	RK 007DCDA CK2	2"
	0794008	LFRK 007 CK2	2½", 3"
	0794009	LFRK007DCDA-CK2	2½", 3"

Kit consists of: seat, seat O-ring, disc assembly, spring, spring retainer, check cage and cover O-ring.

Complete Rubber Parts

LEAD FREE*	ORDERING CODE	KIT NO.	SIZE
	0887982	RK 007DCDA RT	2"
	0887287	RK 007 RT	2½", 3"
	0887967	RK 007DCDA RT	2½", 3"

Kit consists of: 2 seat discs, 2 seat O-rings, and cover O-ring.

Cover Kit

LEAD FREE*	ORDERING CODE	KIT NO.	SIZE
	0887983	RK 007DCDA C	2"
	0887288	RK 007 C	2½", 3"
	0887970	RK 007DCDA C	2½", 3"

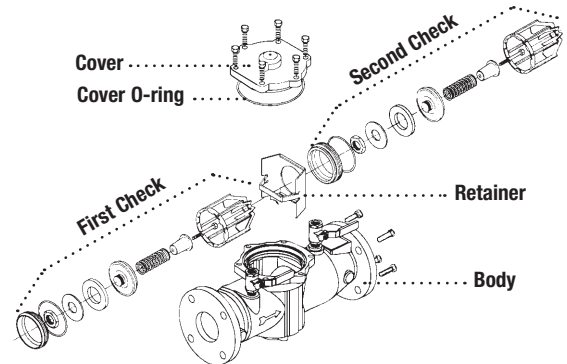
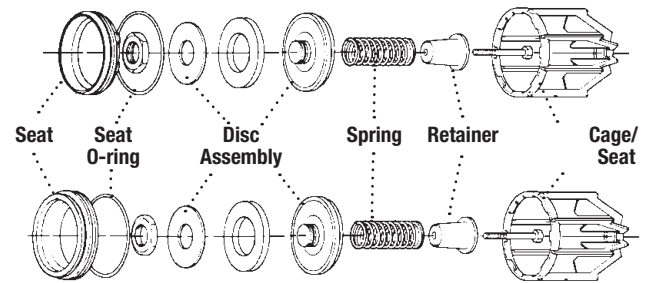
Kit consists of: cover, cover O-ring.

Seat Kit

LEAD FREE*	ORDERING CODE	KIT NO.	SIZE
	0887984	RK 007DCDA S1	2"
	0887985	RK 007DCDA S2	2"
	0887289	RK 007 S1	2½", 3"
	0887290	RK 007 S2	2½", 3"
	0887968	RK 007DCDA S1	2½", 3"
	0887969	RK 007DCDA S2	2½", 3"

Kit consists of: seat, seat O-ring and cover O-ring.

Check Assemblies



*The wetted surface of this product contacted by consumable water contains less than 0.25% of lead by weight.