

Series 957, 957RPDA

Reduced Pressure Zone Assemblies

Reduced Pressure Detector Assemblies



Sizes 2½" – 10"

Relief Valve Kits

When ordering specify Ordering Code, Kit No., and Valve Size.

ORDERING NO.	KIT NO.	SIZE
--------------	---------	------

Relief Valve Total Kits

LEAD FREE	ORDERING NO.	KIT NO.	SIZE
	0899232	RK 957/957RPDA VT	2½" – 10"

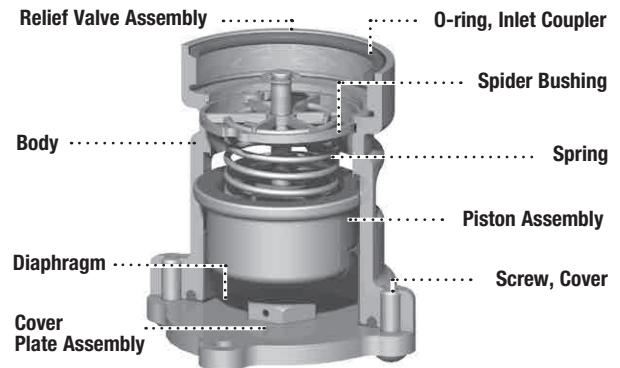
Kit consists of: complete relief valve assembly.

ORDERING NO.	KIT NO.	SIZE
--------------	---------	------

Relief Valve Rubber Parts Kits

LEAD FREE	ORDERING NO.	KIT NO.	SIZE
	0899236	RK 957/957RPDA RV	2½" – 10"

Kit consists of: diaphragm, inlet coupler O-ring and piston assembly.



2

Reduced Pressure Zone Assemblies

*The wetted surface of this product contacted by consumable water contains less than 0.25% of lead by weight.