

Series 957, 957RPDA

Reduced Pressure Zone Assemblies

Reduced Pressure Detector Assemblies



Sizes 2½" – 10"

Check valve kits

When ordering specify Ordering Code, Kit No., and Valve Size.

ORDERING NO.	KIT NO	DISC	SIZE
--------------	--------	------	------

First Check Kits

LEAD FREE*	ORDERING NO.	KIT NO	DISC	SIZE
	7018129	RK 957/957RPDA CK1	EPDM	2½" – 4"
	0889370	RK 957/957RPDA CK1-RS	Red Silicone	2½" – 4"
	7018132	RK 957/957RPDA CK1	EPDM	6"
	0889374	RK 957/957RPDA CK1-RS	Red Silicone	6"
	7018135	RK 957/957RPDA CK1	Red Silicone	8"
	0899215	RK 957/957RPDA CK1	Red Silicone	10"

Kit consists of: first check module, check module O-ring and disc elastomer.

Second Check Kits

LEAD FREE*	ORDERING NO.	KIT NO	DISC	SIZE
	0899216	RK 957/957RPDA CK2	EPDM	2½" – 4"
	0889371	RK 957/957RPDA CK2-RS	Red Silicone	2½" – 4"
	0899217	RK 957/957RPDA CK2	EPDM	6"
	0889375	RK 957/957RPDA CK2-RS	Red Silicone	6"
	0899218	RK 957/957RPDA CK2	Red Silicone	8"
	0899219	RK 957/957RPDA CK2	Red Silicone	10"

Kit consists of: second check module, check module O-ring and disc elastomer.

First or Second Check Rubber Parts Kits

LEAD FREE*	ORDERING NO.	KIT NO	DISC	SIZE
	0899220	RK 957/957RPDA RC4	EPDM	2½" – 4"
	0889372	RK 957/957RPDA RC4-RS	Red Silicone	2½" – 4"
	0899221	RK 957/957RPDA RC4	EPDM	6"
	0889376	RK 957/957RPDA RC4-RS	Red Silicone	6"
	0899222	RK 957/957RPDA RC4	Red Silicone	8"
	0899223	RK 957/957RPDA RC4	Red Silicone	10"

Kit consists of: check module O-ring, disc elastomer and E-clip.

Check Sleeve Cover Kits

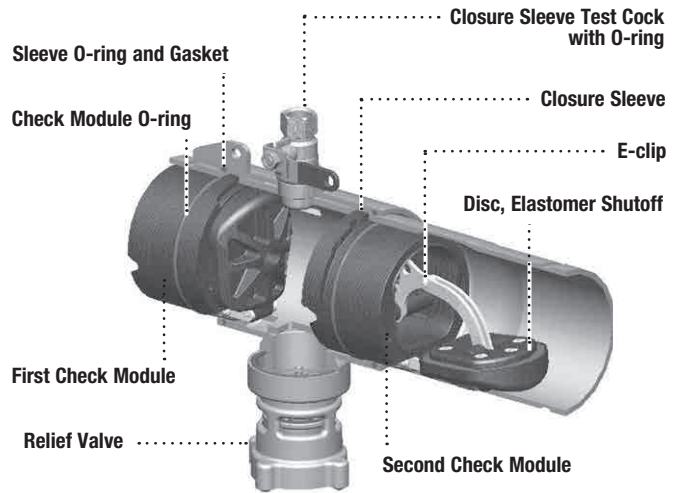
LEAD FREE*	ORDERING NO.	KIT NO	DISC	SIZE
	0899240	RK 957/957RPDA C		2½" – 4"
	0899241	RK 957/957RPDA C		6"
	0899242	RK 957/957RPDA C		8"
	0899243	RK 957/957RPDA C		10"

Kit consists of: closure sleeve, sleeve O-ring and gasket.

Total Rubber Parts Kits

LEAD FREE*	ORDERING NO.	KIT NO	DISC	SIZE
	0899244	RK 957/957RPDA RT	EPDM	2½" – 4"
	0889373	RK 957/957RPDA RT-RS	Red Silicone	2½" – 4"
	0899245	RK 957/957RPDA RT	EPDM	6"
	0889377	RK 957/957RPDA RT-RS	Red Silicone	6"
	0899246	RK 957/957RPDA RT	Red Silicone	8"
	0899247	RK 957/957RPDA RT	Red Silicone	10"

Kit consists of: 1st and 2nd check module O-ring, (2) disc elastomer, (2) E-clips, relief valve diaphragm, relief valve inlet coupler O-ring and relief valve piston assembly.



2

Reduced Pressure Zone Assemblies

*The wetted surface of this product contacted by consumable water contains less than 0.25% of lead by weight.