

# Series 909RPDA

## Reduced Pressure Detector Assemblies

2½" – 10"

### Relief Valve Kits

When ordering specify Ordering Code, Kit No., and Valve Size.

ORDERING CODE	KIT NO.	SIZE
<b>Relief Valve Rubber Parts</b>		
0794111	LFRK 909RPDA-RV	2 ½"-3"
0794112	LFRK 909RPDA-RV	4"-10"

Kit consists of: sleeve O-ring, seat O-ring, piston O-ring, stem O-ring, RV disc assembly, diaphragm, piston seal, bottom plug O-ring, adapter O-ring and lubricant.

### Relief Valve Total

0794115	LFRK 909RPDA-VT	2 ½"-3"
0794116	LFRK 909RPDA-VT	4"-10"
0887268	RK 909RPDA VT BRONZE BODY	4"-6"

Kit consists of: diaphragm, disc & piston assembly, seat, seat O-ring, adapter O-ring and lubricant. (Sizes 4"-10"M1 includes bottom plug & spring assembly.)

### Total Rubber Parts Kits

0794123	LFRK 909RPDA-RT	8"
0794119	LFRK 909RPDA-RT	2 ½"-3"
0794120	LFRK 909RPDA-RT	4"
0794121	LFRK 909RPDA-RT	6"
0794125	LFRK 909RPDA-RT	10"

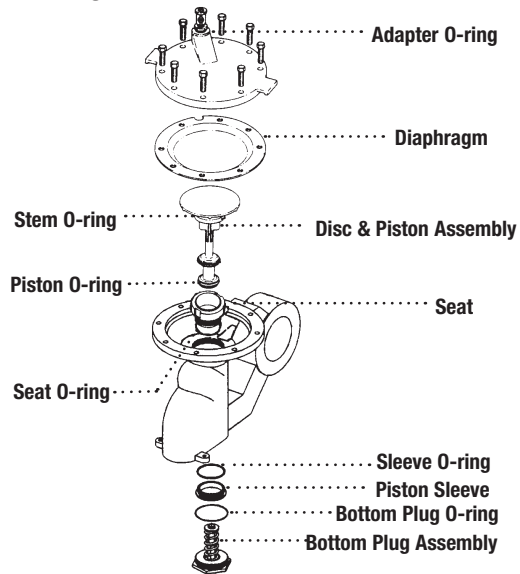
Kit consists of: upper and lower check stem O-ring (6" only), check disc, cover O-ring, sleeve O-ring, piston O-ring, RV disc assembly, diaphragm, piston seat and lubricant.

**\*\*M1 = Cast iron relief valve.**

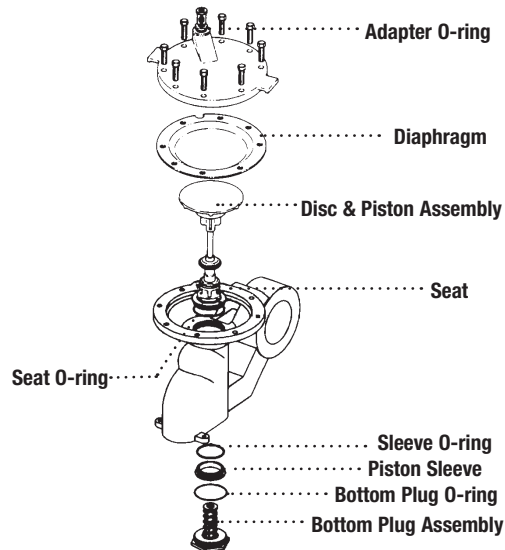
 National Fire Equipment Ltd.  
Your Backflow Parts Depot!

 **WATTS**<sup>®</sup>  
Watts Water Technologies, Inc.

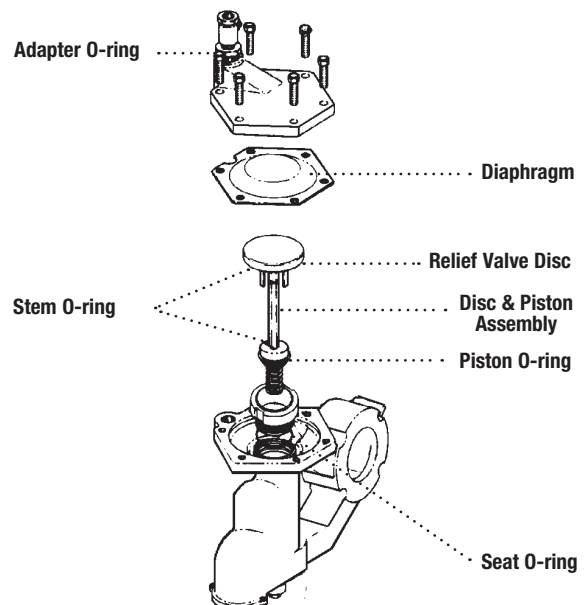
4" – 10"



8" M1, 10" M1



2½", 3"



2

Reduced Pressure Zone Assemblies