

# Series 770, 770DCDA

## Double Check Valve Assemblies Double Check Detector Assemblies



Single & Double Check Valves Assemblies

1

Sizes 4" – 8"

### Repair Kits 770

When ordering specify Ordering Code, Kit No., and Valve Size.

ORDERING CODE	KIT NO.	SIZE
---------------	---------	------

#### Check Repair Kits

LEAD FREE	ORDERING CODE	KIT NO.	SIZE
	0887070	RK 770 CK4	4"
	0887071	RK 770 CK4	6"
	0887072	RK 770 CK4	8"

Kit consists of: spring assembly and cover O-ring.

#### Check Rubber Parts

LEAD FREE	ORDERING CODE	KIT NO.	SIZE
	0887091	RK 770 RC4	4"
	0887092	RK 770 RC4	6"
	0887093	RK 770 RC4	8"

Kit consists of: cover O-ring; bolt O-ring; disc - for one check.

#### Complete Repair Kits

LEAD FREE	ORDERING CODE	KIT NO.	SIZE
	0887079	RK 770 T	4"
	0887080	RK 770 T	6"
	0887081	RK 770 T	8"

Kit consists of: 2 cover O-rings, 2 bolts O-ring, 2 disc, 2 spring assemblies - for both checks.

#### Seat Kits

0887085	RK 770 S	4"
0887086	RK 770 S	6"
0887087	RK 770 S	8"

Kit consists of: seat; seat O-ring for one check.

### Repair Kits 770DCDA

When ordering specify Ordering Code, Kit No., and Valve Size.

ORDERING CODE	KIT NO.	SIZE
---------------	---------	------

#### Check Repair Kits

LEAD FREE	ORDERING CODE	KIT NO.	SIZE
	0887073	RK 770DCDA CK1	4"
	0887075	RK 770DCDA CK1	8"
	0887076	RK 770DCDA CK2	4"
	0887077	RK 770DCDA CK2	6"
	0887078	RK 770DCDA CK2	8"

Kit consists of: spring assembly and cover O-ring.

#### Check Rubber Parts

LEAD FREE	ORDERING CODE	KIT NO.	SIZE
	0887082	RK 770DCDA RC4	4"
	0887083	RK 770DCDA RC4	6"
	0887084	RK 770DCDA RC4	8"

Kit consists of: cover O-ring, bolt O-ring, disc - for one check.

#### Complete Repair Kit

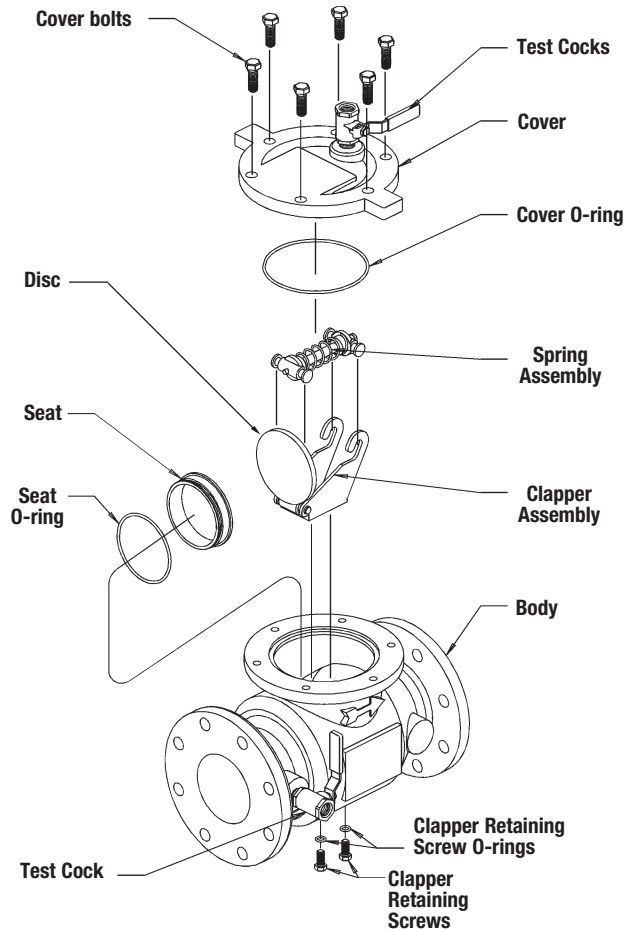
LEAD FREE	ORDERING CODE	KIT NO.	SIZE
	0887088	RK 770DCDA T	4"
	0887089	RK 770DCDA T	6"
	0887090	RK 770DCDA T	8"

Kit consists of: 2 cover O-ring; 2 bolts O-ring; 2 disc; 2 spring assemblies - for both checks.

#### Seat Kits

0887100	RK 770DCDA S	4"
0887095	RK 770DCDA S	6"
0887096	RK 770DCDA S	8"

Kits consist of: seat; seat O-ring - for one check.



\*The wetted surface of this product contacted by consumable water contains less than 0.25% of lead by weight.