

Series 709

Double Check Valve Assemblies

Sizes 3/4" – 2"

Repair Kits

When ordering specify Ordering Code, Kit No., and Valve Size.

ORDERING CODE	KIT NO.	SIZE
---------------	---------	------

First or Second Check Kits

	0887150	RK 709 CK4	3/4" – 1"
	0887151	RK 709 CK4	1 1/2" – 2"
LEAD FREE	0887154	RK 709 CK4SS	3/4" – 1"
LEAD FREE	0887155	RK 709 CK4SS	1 1/2" – 2"

Kit consists of: disc assembly; spring; seat O-ring and cover O-ring.

Complete Rubber Parts

LEAD FREE	0887152	RK 709 RT	3/4" – 1"
	0887153	RK 709 RT	1 1/2" – 2"

Kit consists of: disc assembly, seat O-ring and cover O-ring.

Seat Kits

	0887160	RK709 S4	3/4" – 1"
	0887161	RK709 S4	1 1/2" – 2"
	0887162	RK709 S4SS*	3/4" – 1"
	0887163	RK709 S4SS*	1 1/2" – 2"

Kit consists of: seat; seat O-ring and cover O-ring.

Cover Kits

	0887156	RK 709C1	3/4" – 1"
	0887157	RK 709C1	1 1/2" – 2"
	0887158	RK 709C2	3/4" – 1"
	0887159	RK 709C2	1 1/2" – 2"

Kit consists of: cover and cover O-ring.

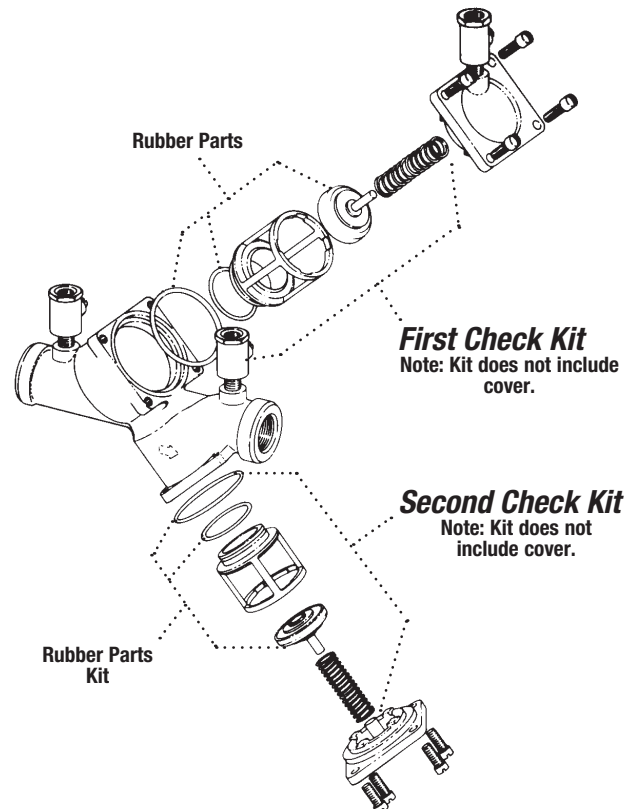
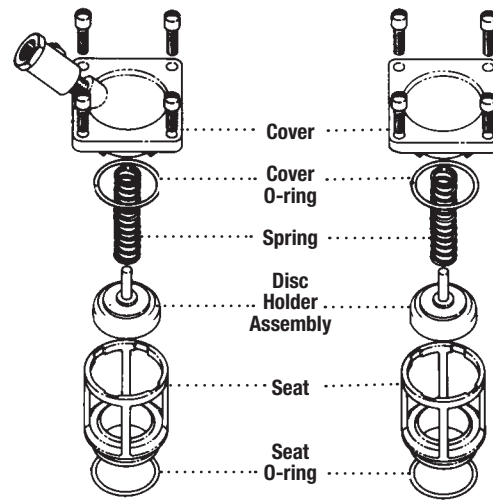


1

Single & Double Check Valves Assemblies

First Check

Second Check



*The wetted surface of this product contacted by consumable water contains less than 0.25% of lead by weight.