



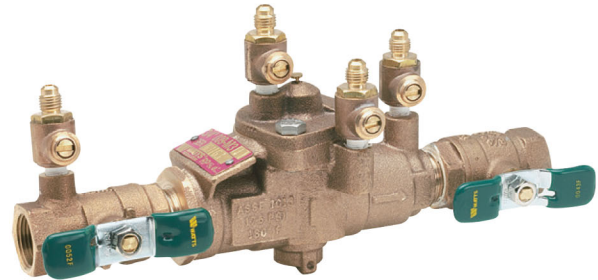
National Fire Equipment Ltd.



Lead Free Series LF009
Reduced Pressure Zone Assemblies Sizes: 1/4" – 3" (8 – 80mm)

Series LF009 Reduced Pressure Zone Assemblies are designed to protect potable water supplies in accordance with national plumbing codes and water authority requirements. This series can be used in a variety of installations, including the prevention of health hazard cross-connections in piping systems or for containment at the service line entrance. The LF009 features Lead Free* construction to comply with Lead Free* installation requirements.

This series features two in-line, independent check valves, captured springs and replaceable check seats with an intermediate relief valve. Its compact modular design facilitates easy maintenance and assembly access. Sizes 1/4" – 1" (8 – 25mm) shutoffs have tee handles.



LF009

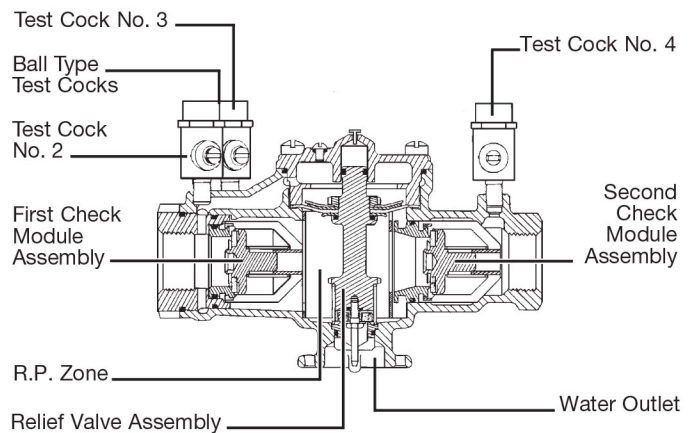
Features

- Single access cover and modular check construction for ease of maintenance
- Top entry – all internals immediately accessible
- Captured springs for safe maintenance
- Internal relief valve for reduced installation clearances
- Replaceable seats for economical repair
- Lead Free* cast copper silicon alloy body construction for durability 1/4" – 2" (8 – 50mm)
- Fused epoxy coated cast iron body 2 1/2" and 3" (65 and 80mm)
- Ball valve test cocks – screwdriver slotted 1/4" – 2" (8 – 50mm)
- Large body passages provides low pressure drop
- Compact, space saving design
- No special tools required for servicing

Specifications

A Reduced Pressure Zone Assembly shall be installed at each potential health hazard location to prevent backflow due to backsiphonage and/or backpressure. The assembly shall consist of an internal pressure differential relief valve located in a zone between two positive seating check modules with captured springs and silicone seat discs. Seats and seat discs shall be replaceable in both check modules and the relief valve. There shall be no threads or screws in the waterway exposed to line fluids. Service of all internal components shall be through a single access cover secured with stainless steel bolts. Body and shutoffs shall be constructed using Lead Free* cast copper silicon alloy materials. Lead Free* reduced pressure zone assembly shall comply with state codes and standards, where applicable, requiring reduced lead content.

The assembly shall also include two resilient seated isolation valves, four resilient seated test cocks and an air gap drain fitting. The assembly shall meet the requirements of: USC; ASSE Std. 1013; AWWA Std. C511; CSA B64.4. Shall be a Watts Series LF009.



Now Available
WattsBox Insulated Enclosures.
For more information, send for literature ES-WB.

NOTICE
Inquire with governing authorities for local installation requirements

NOTICE
The information contained herein is not intended to replace the full product installation and safety information available or the experience of a trained product installer. You are required to thoroughly read all installation instructions and product safety information before beginning the installation of this product.

*The wetted surface of this product contacted by consumable water contains less than 0.25% of lead by weight.



National Fire
Equipment Ltd.

TORONTO: (905) 761-6355
Toll Free: (800) 267-8508

OTTAWA: (613) 723-6071

VANCOUVER: (604) 420-1131
Toll Free: (800)-667-2138

BURNABY: (604)-299-4498

EDMONTON: (780) 455-3870
Toll Free: (888)-891-1008

CALGARY: (403) 236-5661

MONCTON: (506) 859-7277
Toll Free: (877) 816-3473

MISSISSAUGA: (905) 565-1385

www.nationalfire.com

Available Models: 1/4" – 2" (8 – 50mm)

Suffix:

- QT – quarter-turn ball valves
- S – strainer
- LF – without shutoff valves
- PC – internal polymer coating
- W/Press** – press inlet x press outlet (1/2" – 2" only)

Prefix:

- U – union connections

Available Models: 2 1/2" – 3" (65 – 80mm)

Suffix:

- NRS – non-rising stem resilient seated gate valves
- OSY – UL/FM outside stem and yoke resilient seated gate valves
- S-FDA – FDA epoxy coated strainer
- QT-FDA – FDA epoxy coated quarter-turn ball valves
- LF – without shutoff valves

Note: The installation of a drain line is recommended. When installing a drain line, an air gap is necessary (see ES-AG).

Materials: 1/4" – 2" (8 – 50mm)

Lead Free* cast copper silicon alloy body construction, silicone rubber disc material in the first and second check plus the relief valve. Replaceable polymer check seats for first and second checks. Removable Relief valve seats. Stainless steel cover bolts. Standardly furnished with NPT body connections. Model LF009QT furnished with quarter-turn, full port, resilient seated, Lead Free* cast copper silicon alloy body ball valve shutoffs.

Materials: 2 1/2" and 3" (65 – 80mm)

- (FDA approved) Epoxy coated cast iron unibody with plastic seats
- Relief valve with stainless steel seat and trim
- Lead Free cast copper silicon alloy body ball valve test cocks

Air Gaps and Elbows

MODEL	DRAIN OUTLET	DIMENSIONS				WEIGHT			
		for 909, 009 and 993 sizes		A		B		lbs.	kgs.
		in.	mm	in.	mm	in.	mm		
909AGA	1/4"-1/2" 009, 3/4" 009M2/M3	1/2	13	2 3/8	60	3 1/8	79	0.625	0.28
909AGC	3/4"-1" 009/909, 1"-1 1/2" 009M2	1	25	3 1/4	83	4 7/8	124	1.5	0.68
909AGF	1 1/4"-2" 009M1, 1 1/4"-3" 009/909, 2" 009M2, 4"-6" 993	2	51	4 3/8	111	6 3/4	171	3.25	1.47
909AGK	4"-6" 909, 8"-10" 909M1	3	76	6 3/8	162	9 5/8	244	6.25	2.83
909AGM	8"-10" 909	4	102	7 3/8	187	11 1/4	286	15.5	7.03
909ELA	1/4"-1/2" 009, 3/4" 009M2/M3	-	-	-	-	-	-	-	-
909ELC	3/4"-1" 009/909	-	-	2 3/8	60	2 3/8	60	0.38	0.17
* 909ELF	1 1/4"-2" 009M1, 1 1/4"-2" 009/909, 2" 009M2, 4"-6" 993	-	-	3 3/8	92	3 5/8	92	2	0.91
* 909ELH Vertical	2 1/2"-3" 009/909	-	-	-	-	-	-	-	-

** Viega ProPress® connections are optional factory-installed fitting on each end of the approved/certified assembly.

Pressure / Temperature

Sizes 1/4" – 2" (8 – 50mm) Suitable for supply pressure up to 175psi (12.1 bar). Water temperature: 33°F – 180°F (0.5° – 82°C).

Sizes 2 1/2" and 3" (65 and 80mm) are suitable for supply pressures up to 175psi (12.1 bar) and water temperature at 110°F (43°C) continuous, 140°F (60°C) intermittent.

Standards

- USC
- ASSE No. 1013
- AWWA C511
- CSA B64.4
- IAPMO File No. 1563.



Approvals

ASSE, AWWA, CSA, IAPMO

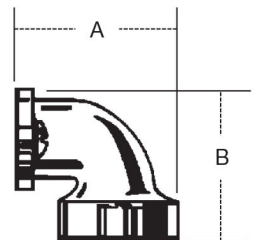
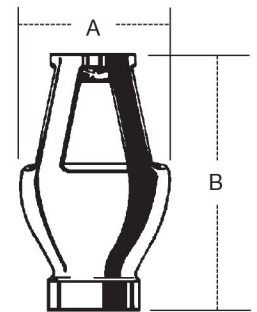
Approved by the Foundation for Cross-Connection Control and Hydraulic Research at the University of Southern California.

Approval models QT, PC, NRS, OSY.

UL Classified

2 1/2" and 3" (65 and 80mm) with OSY gate valves.

3/4" - 2" (20-50mm) without shutoff valves (-LF) (except LF009M3LF)



**National Fire
Equipment Ltd.**

TORONTO: (905) 761-6355
Toll Free: (800) 267-8508

OTTAWA: (613) 723-6071

VANCOUVER: (604) 420-1131
Toll Free: (800)-667-2138

BURNABY: (604)-299-4498

EDMONTON: (780) 455-3870
Toll Free: (888)-891-1008

CALGARY: (403) 236-5661

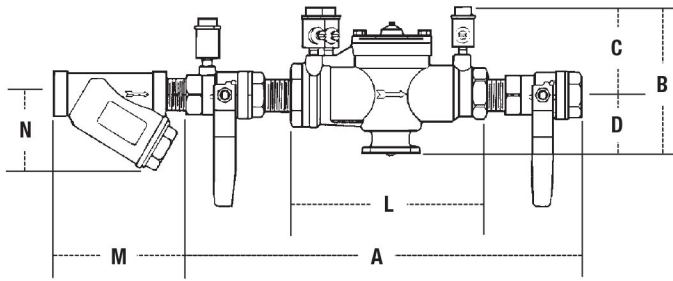
MONCTON: (506) 859-7277
Toll Free: (877) 816-3473

MISSISSAUGA: (905) 565-1385

www.nationalfire.com

Dimensions – Weight

Size: 1/4" – 2" (8 – 50mm) LF009

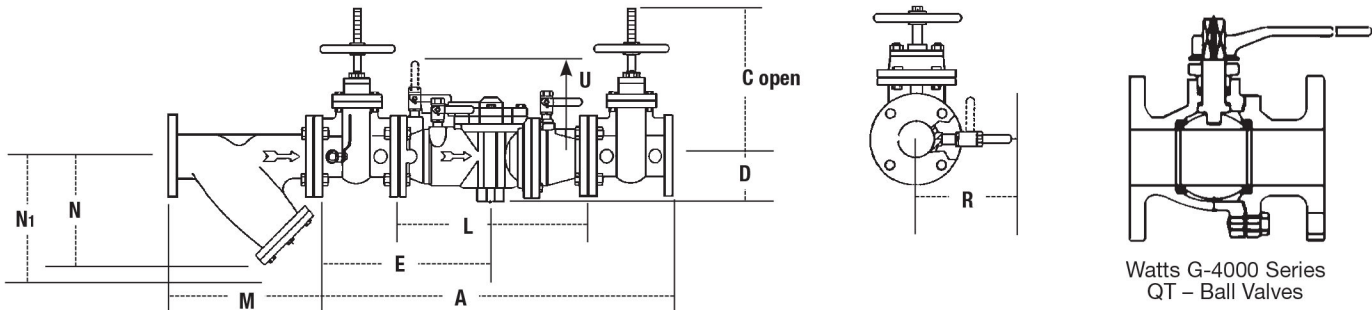


LF009 1/4" – 2"

SIZE (DN)		DIMENSIONS (APPROX.)												WEIGHT			
in.	mm	A		B		C		D		L		M		N		lbs.	kgs.
		in.	mm	in.	mm	in.	mm	in.	mm	in.	mm	in.	mm	in.	mm		
1/4	8	10	250	4 5/8	117	3 3/8	86	1 1/4	32	5 1/2	140	2 3/8	60	2 1/2	64	5	2
3/8	10	10	250	4 5/8	117	3 3/8	86	1 1/4	32	5 1/2	140	2 3/8	60	2 1/2	64	5	2
1/2	15	10	250	4 5/8	117	3 3/8	86	1 1/4	32	5 1/2	140	2 3/4	70	2 1/4	57	5	2
3/4	20	10 3/4	273	5	127	3 1/2	89	1 1/2	38	6 3/4	171	3 3/16	81	2 3/4	70	6	3
1	25	14 1/2	368	5 1/2	140	3	76	2 1/2	64	9 1/2	241	3 3/4	95	3	76	12	5
1 1/4	32	17 3/8	441	6	150	3 1/2	89	2 1/2	64	11 3/8	289	4 7/16	113	3 1/2	89	15	6
1 1/2	40	17 3/8	454	6	150	3 1/2	89	2 1/2	64	11 3/8	283	4 7/8	124	4	102	16	7
2	50	21 3/8	543	7 3/4	197	4 1/2	114	3 1/4	83	13 1/2	343	5 5/16	151	5	127	30	13

Dimensions – Weight

Size: 2 1/2" and 3" (65 and 80mm) LF009



Watts G-4000 Series
QT – Ball Valves

STRAINER SIZE		DIMENSIONS (APPROX.)					WEIGHT		
in.	mm	M		N		N1†		lbs.	kgs.
		in.	mm	in.	mm	in.	mm		
2 1/2	65	10	254	6 1/2	165	9 3/4	248	28	12.7
3	80	10 5/8	257	7	178	10	254	34	15.4

†Clearance for servicing

MODEL	SIZE DN		DIMENSIONS (APPROX.)										WEIGHT					
	in.	mm	A		C		D		E		L		R		U		lbs.	kgs.
			in.	mm	in.	mm	in.	mm	in.	mm	in.	mm	in.	mm	in.	mm		
LF009LF	2 1/2	65	—	—	—	—	4 1/2	114	—	—	18 3/8	460	—	—	10 5/8	270	76	34.5
LF0090SY	2 1/2	65	33 1/4	845	15 7/8	403	4 1/2	114	16 3/8	416	18 3/8	460	7 3/4	197	10 5/8	270	166	75.3
LF009NRS	2 1/2	65	33 1/4	845	11 3/8	289	4 1/2	114	16 3/8	416	18 3/8	460	7 3/4	197	10 5/8	270	161	73.0
LF009QTFDA	2 1/2	65	33 1/4	845	6	152	4 1/2	114	16 3/8	416	18 3/8	460	7 3/4	197	10 5/8	270	150	68.0
LF009LF	3	80	—	—	—	—	4 1/2	114	—	—	18 3/8	460	—	—	10 5/8	270	76	34.5
LF0090SY	3	80	34 1/4	870	18 1/2	470	4 1/2	114	16 3/8	422	18 3/8	460	8 3/4	222	10 5/8	270	198	89.8
LF009NRS	3	80	34 1/4	870	12 3/4	324	4 1/2	114	16 3/8	422	18 3/8	460	8 3/4	222	10 5/8	270	191	86.6
LF009QTFDA	3	80	34 1/4	870	7	178	4 1/2	114	16 3/8	422	18 3/8	460	8 3/4	222	10 5/8	270	158	71.7



National Fire
Equipment Ltd.

TORONTO: (905) 761-6355
Toll Free: (800) 267-8508

OTTAWA: (613) 723-6071

VANCOUVER: (604) 420-1131
Toll Free: (800)-667-2138

BURNABY: (604)-299-4498

EDMONTON: (780) 455-3870
Toll Free: (888)-891-1008

CALGARY: (403) 236-5661

MONCTON: (506) 859-7277
Toll Free: (877) 816-3473

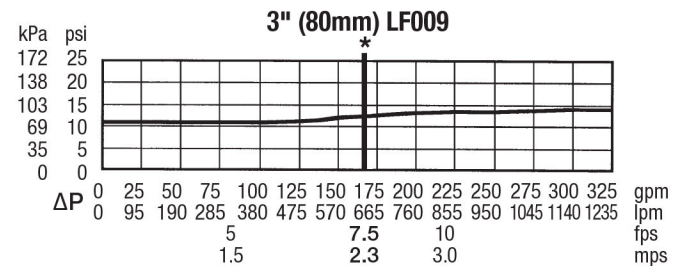
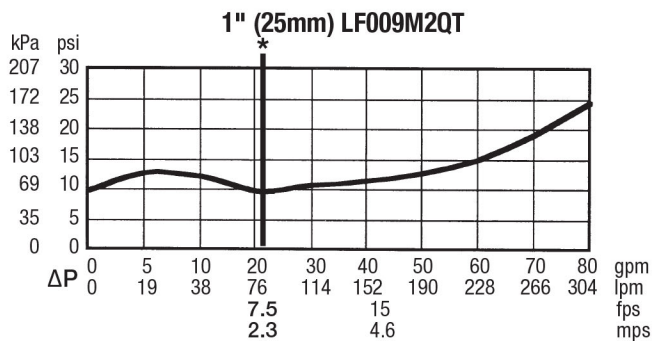
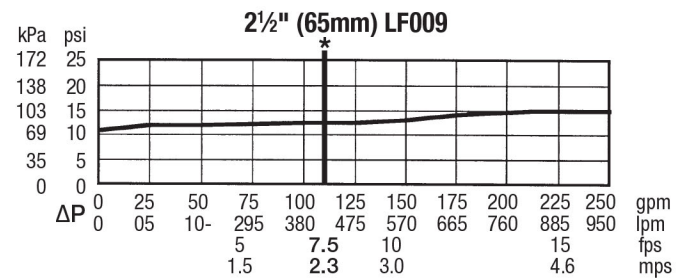
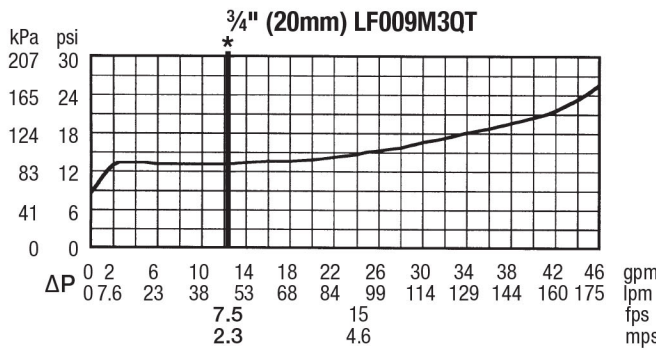
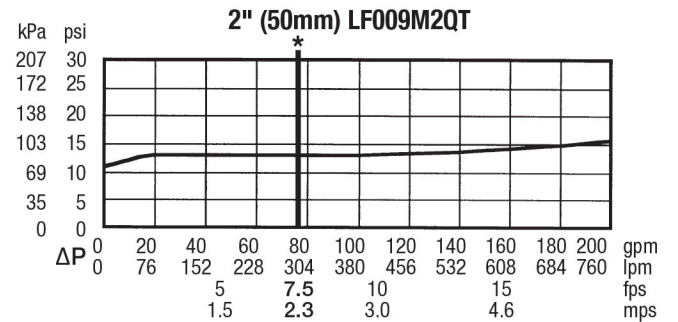
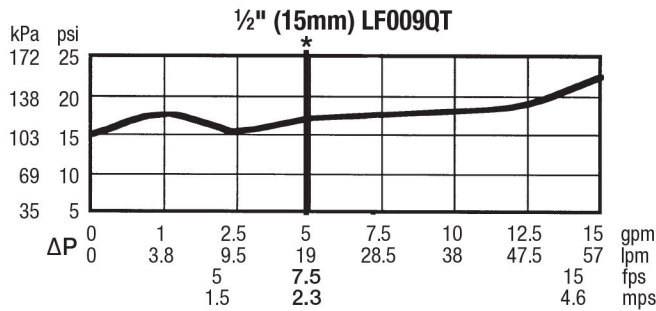
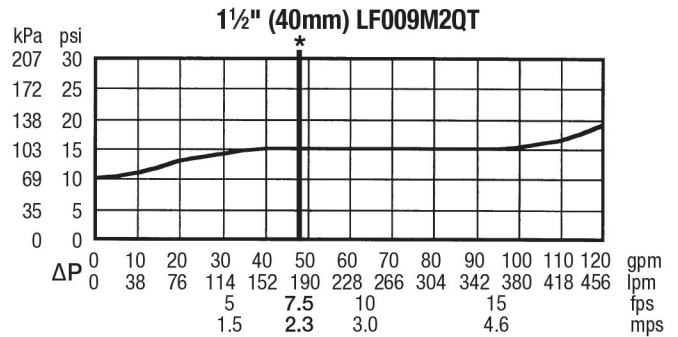
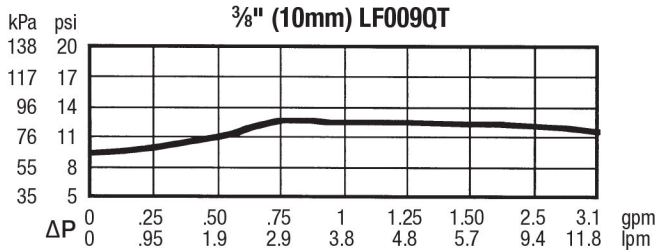
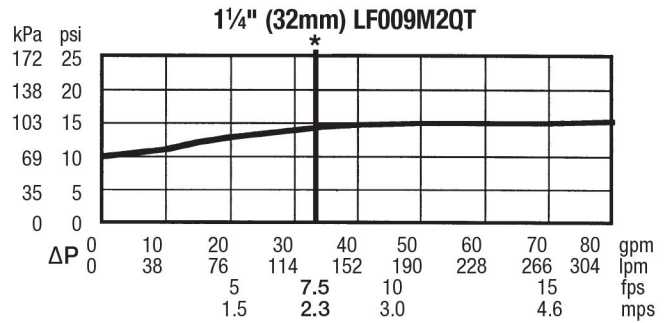
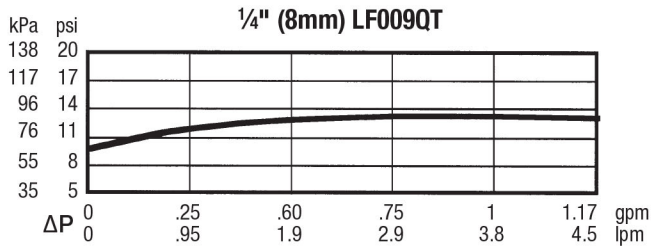
MISSISSAUGA: (905) 565-1385

www.nationalfire.com

Capacity

Performance as established by an independent testing laboratory.

*Typical maximum system flow rate (7.5 feet/sec., 2.3 meters/sec.)



**National Fire
Equipment Ltd.**

TORONTO: (905) 761-6355
Toll Free: (800) 267-8508
OTTAWA: (613) 723-6071

VANCOUVER: (604) 420-1131
Toll Free: (800)-667-2138
BURNABY: (604)-299-4498

EDMONTON: (780) 455-3870
Toll Free: (888)-891-1008
CALGARY: (403) 236-5661

MONCTON: (506) 859-7277
Toll Free: (877) 816-3473
MISSISSAUGA: (905) 565-1385

www.nationalfire.com