



National Fire Equipment Ltd.

TrimFit® Bronze Grooved Butterfly Valve

Description

TrimFit® Model BFG (Grooved Butterfly Valve) close slowly to prevent water hammer. The butterfly valves are designed to be installed in any orientation and monitored to signal if the valve is opened or closed. They are Listed and Approved for use in a fire sprinkler system.

Features

- UL/ULc listed for indoor/outdoor fire protection use
- FM Approved for Fire Protection Use
- Tamper Switch assemblies for indoor or outdoor use
- Quarter-Turn valve with slow closing and opening mechanism prevents water hammer

Installation

1. The valve can be installed in any orientation in a piping system with standard ASME B1.20.1 NPT or standard roll or cut grooved pipe.
2. The tamper switch features two switches: Switch-1 has dual leads on the terminals. This switch is used for connection of the supervisory circuit of a listed fire alarm control panel. Switch-2 has a single lead. This switch is used for connection of auxiliary equipment.
3. All the unused wires need to be capped with lead nuts and tucked into a junction box.
4. All connections need to be reviewed and approved by the appropriate jurisdictional authorities.
5. A No. 14 green wire is fixed inside the switch housing. It is provided as a ground for the housing.
6. The valves are intended for use with ANSI B36.10 Schedule 40 and/or Schedule 80 pipes, sizes 1-1/4", 1-1/2".

Specifications

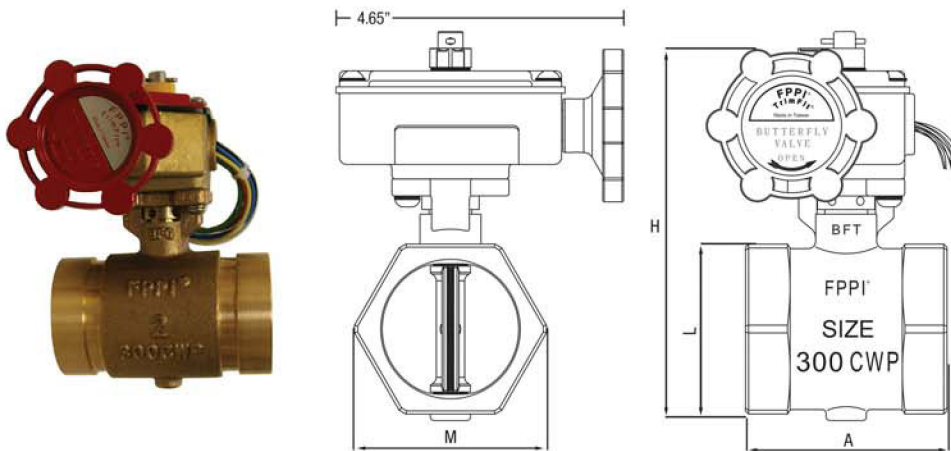
Rated to 300 PSI
 Switch rating:
 10.1Amps/125/250VAC-60Hz
 Actual switch application rating:
 10 Amps/115 VAC-60Hz
 0.5 Amps/28 VDC
 Indoor/Outdoor Use

Materials

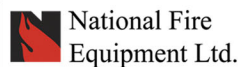
Body: Bronze ASTM 584 C83600
 Disc: SS304
 Handwheel: ASTM A216 WCB
 Seat: ASTM D2000 Viton
 Indicator: Powder Metal
 Housing/Cover: Forged Brass JIS C3771 (Ref. ASTM C37700)

Available Sizes

TrimFit® Model BFG (Grooved)
 06-522-00 1 1/4" UL/ULc/FM
 06-524-00 1 1/2" UL/ULc/FM



Size	1 1/4"	1 1/2"
A	3.86"	4.02
H	5.20"	5.47
P	0.63"	0.63
O	0.31"	0.31
M	1.54"	1.78
L	1.67"	1.90



TORONTO: (905) 761-6355
 Toll Free: (800) 267-8508
 OTTAWA: (613) 723-6071

VANCOUVER: (604) 420-1131
 Toll Free: (800)-667-2138
 BURNABY: (604)-299-4498

EDMONTON: (780) 455-3870
 Toll Free: (888)-891-1008
 CALGARY: (403) 236-5661

MONCTON: (506) 859-7277
 Toll Free: (877) 816-3473
 MISSISSAUGA: (905) 565-1385

www.nationalfire.com

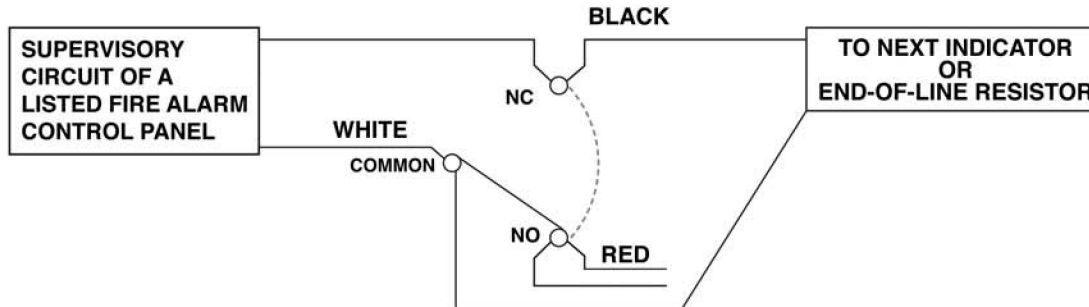


National Fire Equipment Ltd.

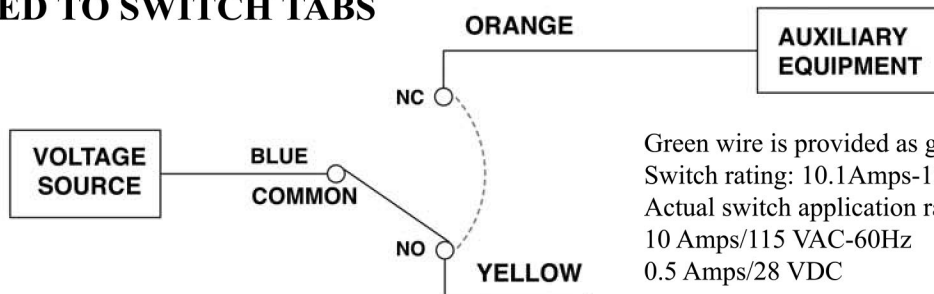
TrimFit® Bronze Grooved Butterfly Valve

Wiring Diagram

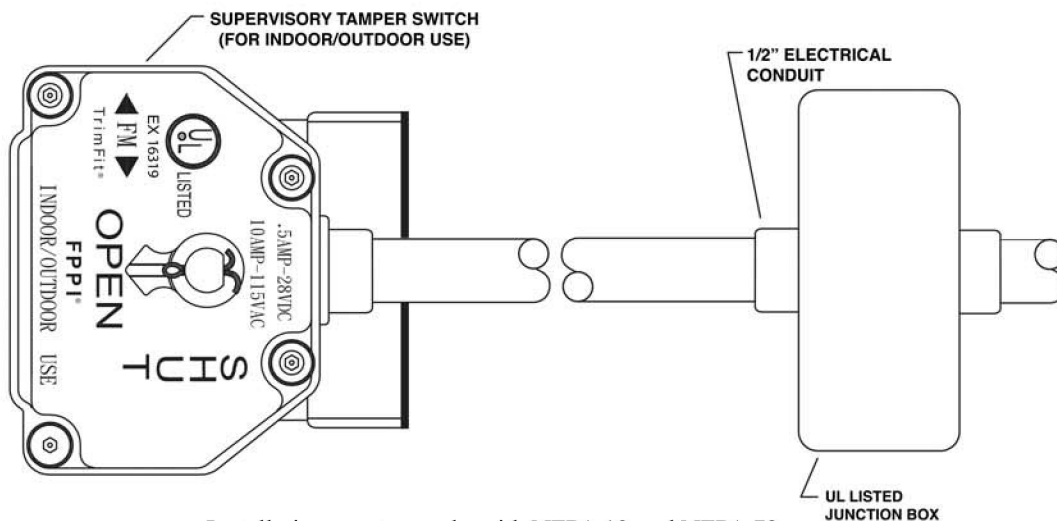
SWITCH SHOWN IN POSITION WITH VALVE FULLY OPEN
SWITCH 1 : DUAL LEADS SOLDERED TO SWITCH TABS



SWITCH 2 : SINGLE LEADS SOLDERED TO SWITCH TABS



Green wire is provided as ground for the switch housing.
Switch rating: 10.1Amps-125/250VAC-60Hz
Actual switch application rating:
10 Amps/115 VAC-60Hz
0.5 Amps/28 VDC



Installation must comply with NFPA 13 and NFPA 72.
Cap unused leads with wire nuts and tuck into a junction box (not provided).