



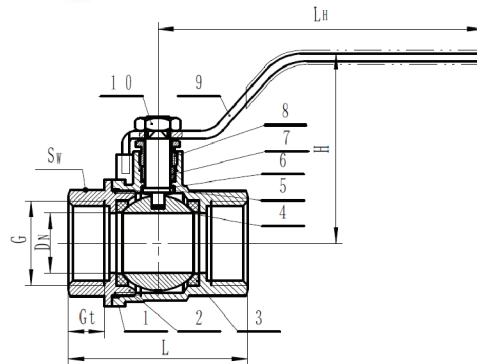
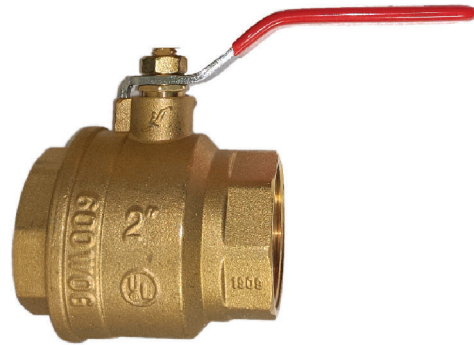
National Fire Equipment Ltd.

Brass Ball Valve - (Full Port)

Specifications

- 600psi, Non shock WOG (1/2" - 2")
- Handle with vinyl grip

No	Part Name	MATERIAL	REMARKS
1	Body	C46500	
2	Bonnet	C46500	
3	Seal	Teflon-Ptfe	
4	Ball	C37700	Chrome-Plated
5	Stem	C46500	Copper alloy rod
6	SEAL RING	Teflon-Ptfe	
7	Stem Packing	Teflon-Ptfe	
8	Gland Screw	C37700	Copper alloy rod
9	Handle	Steel	Zinc-Plated
10	Nut	C37700	



Ball Valve Dimension

Part#	G	DN	L	H	SW	Gt	LH
BLV025NB	1/4-18NPT	φ 10	44	46	20.5	9.5	89
BLV038NB	3/8-18NPT	φ 10	44	46	20.5	9.5	89
BLV050NB	1/2-14NPT	φ 14.5	57	50.5	25	15.5	89
BLV075NB	3/4-14NPT	φ 19.5	63	61	31	16	104
BLV100NB	1-11.5NPT	φ 24.5	75.5	62.5	38	19	117.5
BLV125NB	1 1/4-11.5NPT	φ 32	86.5	70	47	19.5	117.5
BLV150NB	1 1/2-11.5NPT	φ 40	94.2	94	53	19.5	145
BLV200NB	2-11.5NPT	φ 50	108	102	65	20	145
BLV250NB	2 1/2-8NPT	φ 64	136	115	85	23.5	232

