



National Fire Equipment Ltd.

GROOVED END BUTTERFLY VALVE

BFVA-GD3851-TM

300PSI Grooved-End Butterfly Valve (S/Open)

- Approved Gear Operator for both Indoor or Outdoor use
- NSF Certified Polyamide Coated Ductile Iron body for Excellent Protection
- EPDM encapsulated Disc with Outstanding Flow Characteristics
- Extended Neck
- Low Torque Operation
- Options of Double Internal Supervisory Switches
- FM & UL/ULC Approved

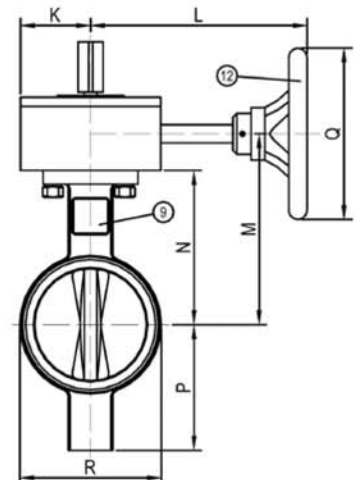
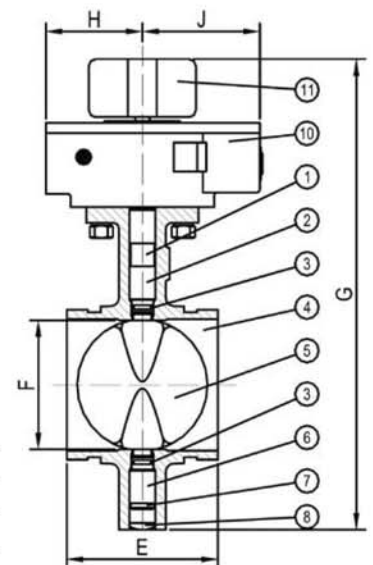


PART	SPECIFICATION
1. Upper Stem	Stainless Steel ASTM A 276 Type 420
2. Upper Bearing	PTFE Bronze Sintered on Steel
3. O-Ring	EPDM
4. Body	Ductile Iron ASTM A 536, Polyamide Coated
5. Disc	Ductile Iron ASTM A 536 with EPDM Encapsulation
6. Lower Bearing	PTFE Bronze Sintered on Steel
7. Lower Stem	Stainless Steel ASTM A 276 Type 420
8. Dust Plug	PVC
9. Name Plate	Stainless Steel
10. Gear Operator	Cast Iron and Steel
11. Indicator Flag	Cast Iron
12. Handwheel	Cast Iron

Dimension

Part Number	Size		OD		E		F		G		H		J		K	
	In.	mm	mm	In.	mm	In.	mm	In.	mm	In.	mm	In.	mm	In.	mm	
BFVA-GD3851-TM2-212	2 1/2	65	73.0	3.85	98	2.40	61	11.22	285	2.91	74	3.54	90	2.13	54	
BFVA-GD3851-TM2-212	3	80	88.9	3.85	98	2.87	73	12.20	310	2.91	74	3.54	90	2.13	54	
BFVA-GD3851-TM2-212	4	100	114.3	4.56	116	3.86	98	14.17	360	2.91	74	3.54	90	2.13	54	
BFVA-GD3851-TM2-212	5	125	141.3	5.86	149	4.80	122	15.35	390	2.91	74	3.54	90	2.13	54	
BFVA-GD3851-TM2-212	6	150	168.3	5.86	149	5.75	146	16.73	425	2.91	74	3.54	90	2.13	54	
BFVA-GD3851-TM2-212	8	200	219.1	5.27	134	7.72	196	19.41	493	2.91	74	3.54	90	2.13	54	
BFVA-GD3851-TM2-212	10	250	273.0	6.30	160	9.57	243	22.76	578	3.90	99	3.98	101	3.03	77	

Size	L		M		N		P		Q		R		Wt.	
	In.	mm	In.	mm	In.	mm	In.	mm	In.	mm	In.	mm	Lbs.	Kg.
2 1/2	7.68	195	5.27	134	3.78	96	2.95	75	5.90	150	3.35	85	17.6	8.0
3	7.68	195	5.63	143	4.13	105	3.54	90	5.90	150	3.82	97	18.9	8.6
4	7.68	195	6.81	173	5.31	135	4.33	110	5.90	150	4.88	124	23.4	10.6
5	7.68	195	7.32	186	5.83	148	5.00	127	5.90	150	6.10	155	31.3	14.2
6	7.68	195	8.00	203	6.50	165	5.71	145	5.90	150	7.20	183	35.5	16.1
8	8.03	204	9.53	242	8.03	204	6.89	175	9.84	250	9.29	236	50.5	22.9
10	9.49	241	11.42	290	9.65	245	8.27	210	11.8	300	11.38	289	88.6	40.2



National Fire
Equipment Ltd.

TORONTO: (905) 761-6355
Toll Free: (800) 267-8508

VANCOUVER: (604) 420-1131
Toll Free: (800)-667-2138

EDMONTON: (780) 455-3870
Toll Free: (888)-891-1008

MONCTON: (506) 859-7277
Toll Free: (877) 816-3473

OTTAWA: (613) 723-6071

BURNABY: (604)-299-4498

CALGARY: (403) 236-5661

MISSISSAUGA: (905) 565-1385

www.nationalfire.com

Butterfly Valve Performance Data

Formulas for C_v Values

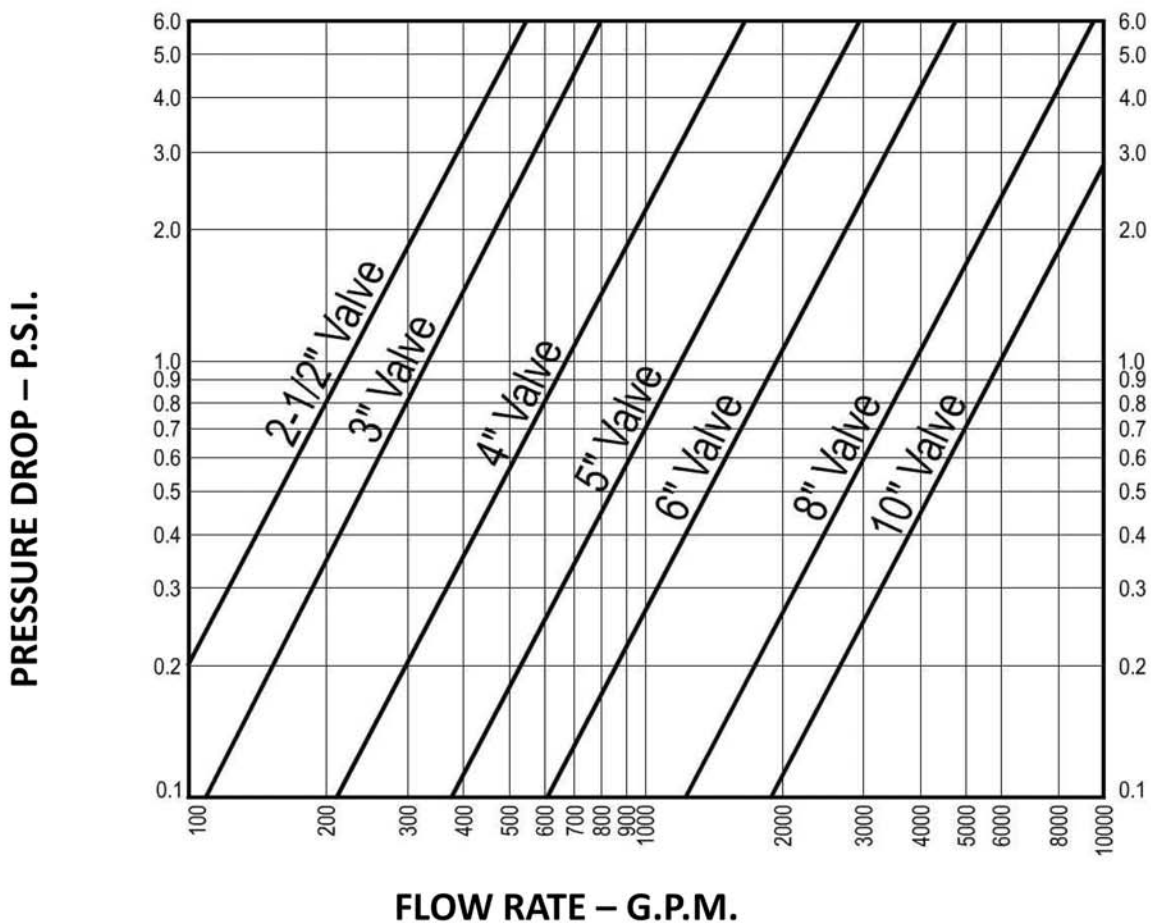
$$P = \frac{Q^2}{C_v^2} \Delta$$

Where: Q – Flow rate (gallons per minute: GPM)

ΔP = Pressure drop across valve (PSI)

C_v = Flow coefficient

Nominal Pipe			Cv (Full Open)	Nominal Pipe			Cv (Full Open)	Nominal Pipe			Cv (Full Open)
Size	O.D.	Mm		Size	O.D.	mm		Size	O.D.	mm	
2 1/2	65	73.0	221	5	125	141.3	1200	8	200	219.1	3874
3	80	88.9	324	6	150	168.3	1934	10	250	273.0	5995
4	100	114.3	670								



National Fire
Equipment Ltd.

TORONTO: (905) 761-6355
Toll Free: (800) 267-8508

OTTAWA: (613) 723-6071

VANCOUVER: (604) 420-1131
Toll Free: (800)-667-2138

BURNABY: (604)-299-4498

EDMONTON: (780) 455-3870
Toll Free: (888)-891-1008

CALGARY: (403) 236-5661

MONCTON: (506) 859-7277
Toll Free: (877) 816-3473

MISSISSAUGA: (905) 565-1385

www.nationalfire.com