



National Fire Equipment Ltd.

MASTER STREAM NOZZLES FP500 & FP2000

SPECIFICATIONS

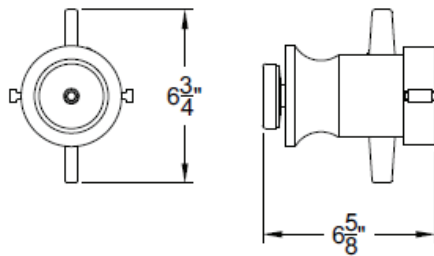
National Fire/ Fire Pro® Master Stream fog/straight stream nozzles are forged from heavy aluminum or brass casting that withstands caustic or salt water environments using deck pipes and station monitors. Precision machining ensures ease of operation when changing patterns at all pressure ranges. Patterns change from a straight stream with maximum effective reach to full 180° fog curtain.

REGULARLY FURNISHED

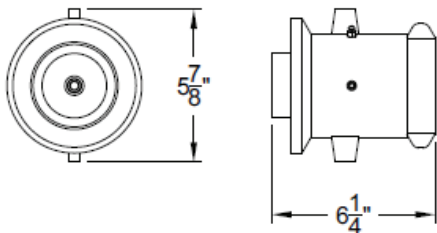
- Combination fog and straight stream
- A = heavy aluminum, B = red brass casting
- Gray hard anodized or cast brass finish
- Delrin seat for shutoff
- Factory preset GPM



FP2000BCG (Shown)

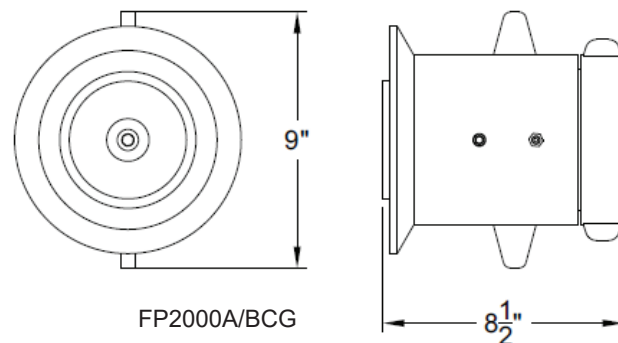


FP500A/B

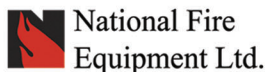


FP500A/BCG & FP1000A/BCG

Model	Inlet In (mm)	Weight Lbs (kg)	GPD (lpm)
FP500A	2-1/2" (64)	9 (4)	350/500 (1325/1893)
FP500B	2-1/2" (64)	9 (4)	350/*500 (1325/1893)
FP500ACG	2-1/2" (64)	9 (4)	500/750 (1893/2839)
FP500BCG	2-1/2" (64)	9 (4)	*500/750 (1893/2839)
FP1000ACG	2-1/2" (64)	9 (4)	1000/1250 (3785/4732)
FP1000BCG	2-1/2" (64)	9 (4)	1000/1250 (3785/4732)
FP2000ACG	4" (102)	11 (5)	1500/1700/2000/ 2500 (5678/6435/7571/9464)
FP2000BCG	4" (102)	11 (5)	1500/1700/2000/ 2500 (5678/6435/7571/9464)



FP2000A/BCG



TORONTO: (905) 761-6355
Toll Free: (800) 267-8508

OTTAWA: (613) 723-6071

VANCOUVER: (604) 420-1131
Toll Free: (800)-667-2138

BURNABY: (604)-299-4498

EDMONTON: (780) 455-3870
Toll Free: (888)-891-1008

CALGARY: (403) 236-5661

MONCTON: (506) 859-7277
Toll Free: (877) 816-3473

MISSISSAUGA: (905) 565-1385

www.nationalfire.com