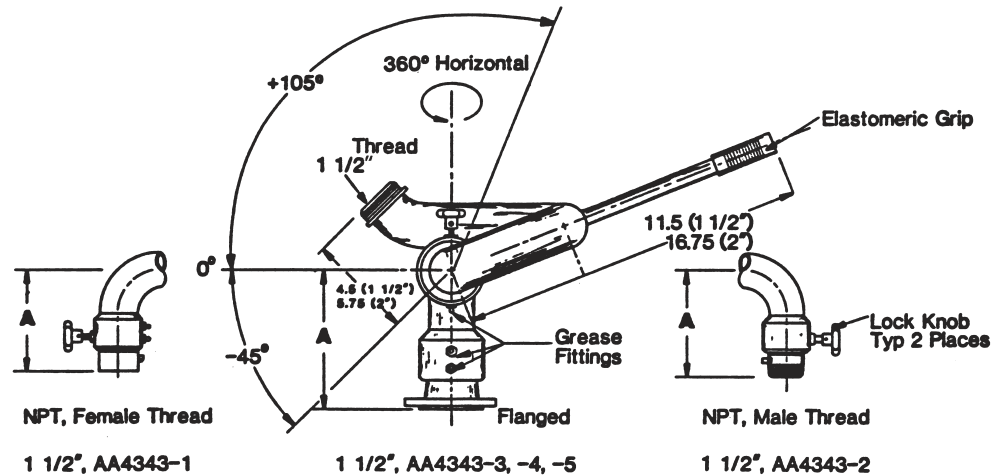




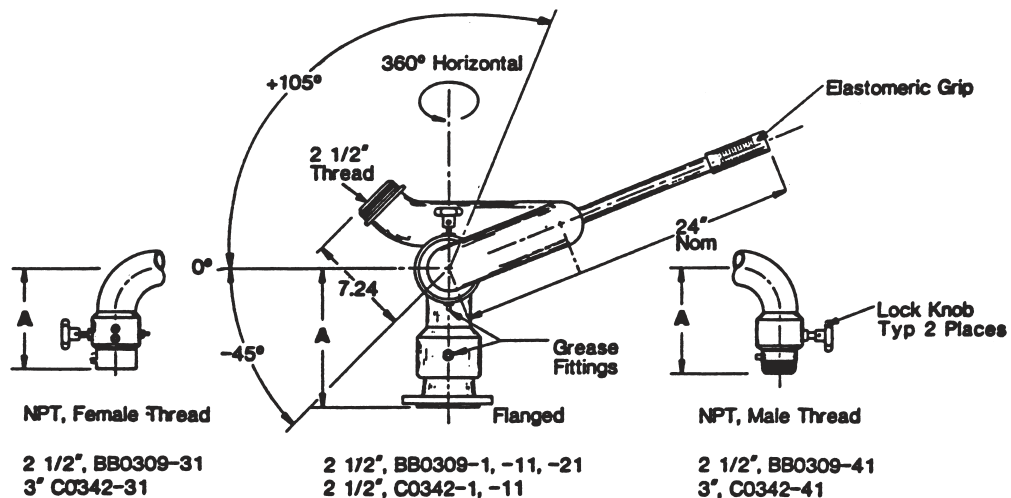
National Fire Equipment Ltd.

MONITORS

DIMENSIONS AND MODEL NUMBERS



Model Number	Inlet	"A" Dimension
MON 15-1	1 1/2" NPT Female	7.5
MON 15-2	1 1/2" NPT Male	8.82
MON 15-3	1 1/2" 150# RF Fig.	9.67



Model Number	Inlet	"A" Dimension
MON 25-1	2 1/2" 150# RF Fig.	9.75
MON 25-2	3" 150# RF Fig.	11.13
MON 25-3	4" 150# RF Fig.	11.63
MON 25-4	2 1/2" - 8 NPT (F)	9.13
MON 25-5	2 1/2" - 8 NPT (M)	10.63

Model Number	Inlet	"A" Dimension
MON 30-1	3" 150# RF Fig.	11.06
MON 30-2	4" 150# RF Fig.	12.36
MON 30-3	3"-8 NPT (F)	9.94
MON 30-4	3"-8 NPT (M)	10.31

*Contact us for information and model numbers for 4" 2000 GPM monitors.

*Contact us for approval drawings before ordering