



# National Fire Equipment Ltd.

**102F-FG-FR - 8" w x 17" h x 5" d (1/4" Return)**

## Fire Rated Extinguisher Cabinet (Minimum - 4" Wall Depth)

### STANDARD CONSTRUCTION FEATURES

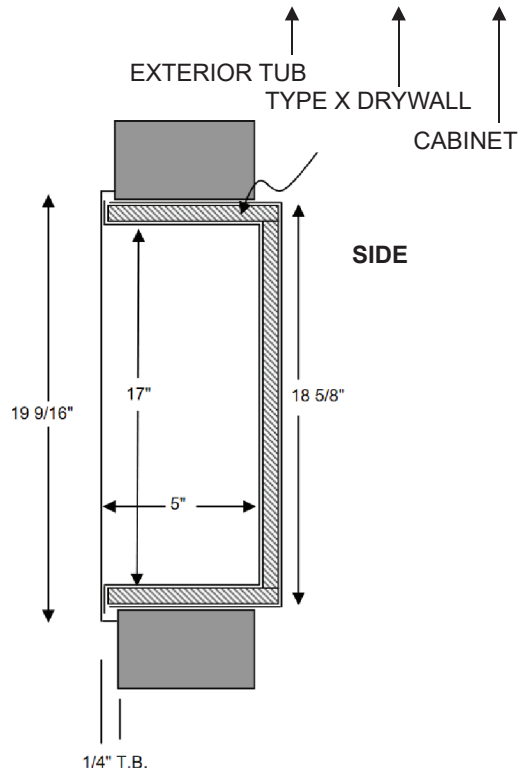
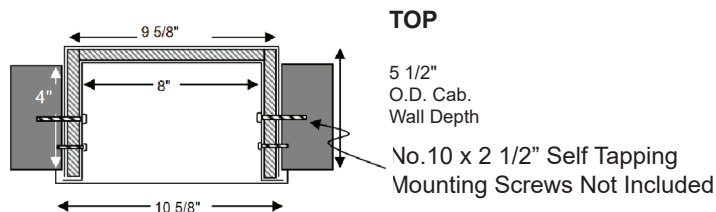
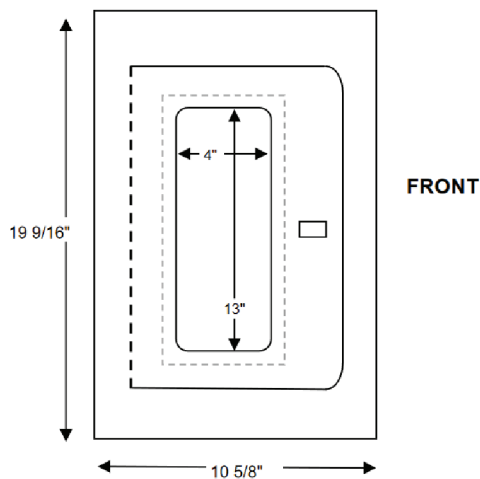
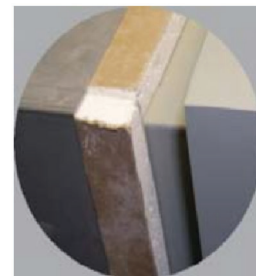
- 1/4" Turnback Adjustable Front- Full Glass Panel
- Grey or White Baked Enamel Finish
- Accommodates all 5lb Dry Chemical Fire Extinguishers

### Options

- Break Glass Door & Lock
- Cylinder Lock
- Stainless Steel Front & Tub

### Rating:

Warnock Hersey International  
Test Report WHI-495-1534  
2 hour vertical fire rated assembly



**National Fire  
Equipment Ltd.**

TORONTO: (905) 761-6355  
Toll Free: (800) 267-8508

OTTAWA: (613) 723-6071

VANCOUVER: (604) 420-1131  
Toll Free: (800)-667-2138

BURNABY: (604)-299-4498

EDMONTON: (780) 455-3870  
Toll Free: (888)-891-1008

CALGARY: (403) 236-5661

MONCTON: (506) 859-7277  
Toll Free: (877) 816-3473

MISSISSAUGA: (905) 565-1385

[www.nationalfire.com](http://www.nationalfire.com)



# National Fire Equipment Ltd.

**CE-151-FR - 8" w X 17" h X 5" d (2" Return)**

## Fire Rated Extinguisher Cabinet (Minimum - 4" Wall Depth)

### STANDARD CONSTRUCTION FEATURES

- 2" Rounded Turnback (Front Welded to Tub)
- Full Glass Door w/ Full Length Piano Hinge
- Glass Size 4" x 13" (Glass Opening 3" x 12")
- White Powder Coat Paint Finish (Stainless Steel Optional)
- Accommodates 5 lb Dry Chemical Fire Extinguisher
- Stainless Steel Paddle Latch

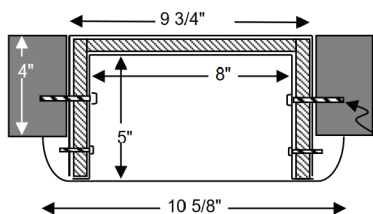
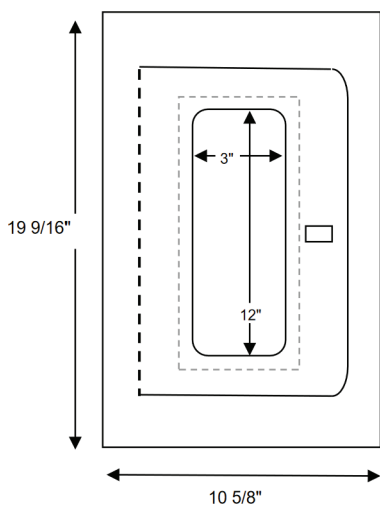
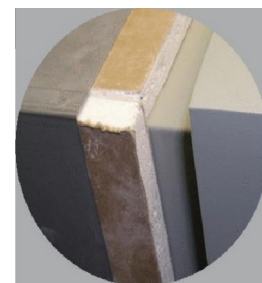
### Options

Warnock Hersey International  
Test Report WHI-495-1534  
2 hour vertical fire rated assembly



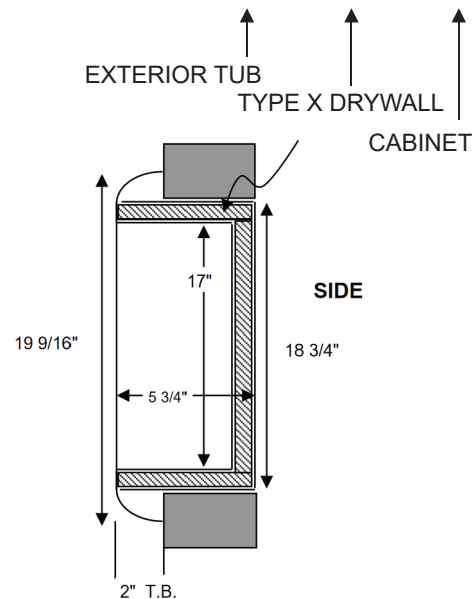
### Rating:

- Rough opening should be 1/4" larger than Exterior Tub (H x W)
- Installation Instructions are included with each cabinet



**TOP**

No. 10 x 2 1/2" Self Tapping  
Mounting Screws Not Included



**National Fire  
Equipment Ltd.**

TORONTO: (905) 761-6355  
Toll Free: (800) 267-8508

OTTAWA: (613) 723-6071

VANCOUVER: (604) 420-1131  
Toll Free: (800)-667-2138

BURNABY: (604)-299-4498

EDMONTON: (780) 455-3870  
Toll Free: (888)-891-1008

CALGARY: (403) 236-5661

MONCTON: (506) 859-7277  
Toll Free: (877) 816-3473

MISSISSAUGA: (905) 565-1385

[www.nationalfire.com](http://www.nationalfire.com)



# National Fire Equipment Ltd.

**CE-950-3-SCFR - 9"w X 24"h X 6"d (1/4" Return)**

## Fire Rated Extinguisher Cabinet (Minimum - 6" Wall Depth)

### STANDARD CONSTRUCTION FEATURES

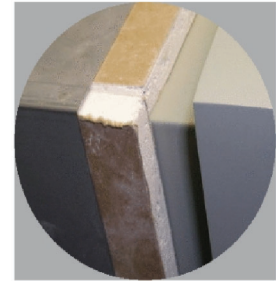
- 1/4" Turnback on Front- Full Glass Panel (Glass Size 5" x 20")
- Grey or White Powder Coat Paint Finish
- Accommodates 10lb Dry Chemical Fire Extinguisher

### Options

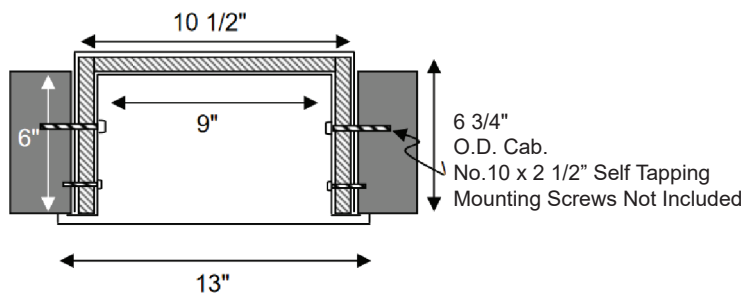
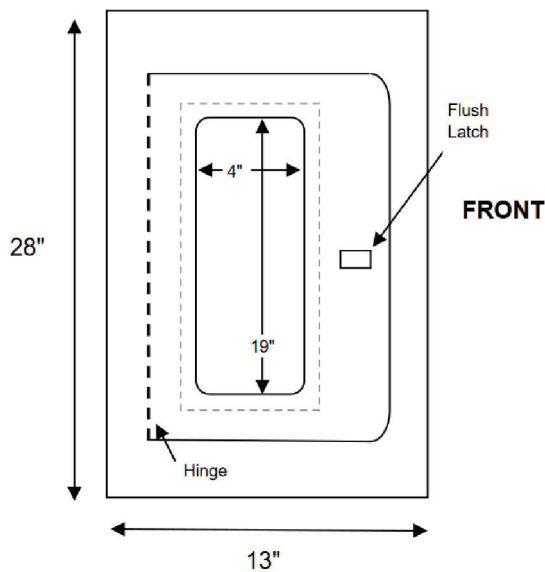
- Break Glass Door & Lock- Cylinder Lock
- Stainless Steel Front & Tub

### Rating:

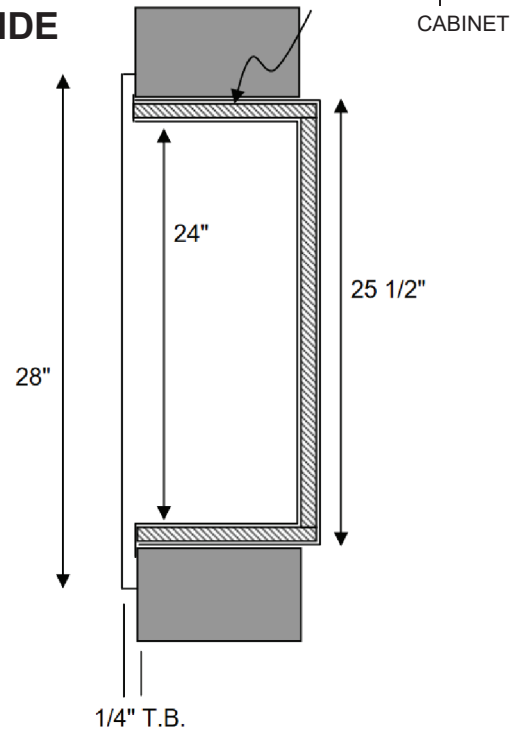
Warnock Hersey International  
Test Report WHI-495-1534  
2 hour vertical fire rated assembly



↑ EXTERIOR TUB  
↑ TYPE X DRYWALL  
↑ CABINET



**SIDE**



**National Fire  
Equipment Ltd.**

TORONTO: (905) 761-6355  
Toll Free: (800) 267-8508

OTTAWA: (613) 723-6071

VANCOUVER: (604) 420-1131  
Toll Free: (800)-667-2138

BURNABY: (604)-299-4498

EDMONTON: (780) 455-3870  
Toll Free: (888)-891-1008

CALGARY: (403) 236-5661

MONCTON: (506) 859-7277  
Toll Free: (877) 816-3473

MISSISSAUGA: (905) 565-1385

[www.nationalfire.com](http://www.nationalfire.com)



# National Fire Equipment Ltd.

**CE-950-3-FR - 9"w X 24"h X 6"d (1" Return)**

## Fire Rated Extinguisher Cabinet (Minimum - 6" Wall Depth)

### STANDARD CONSTRUCTION FEATURES

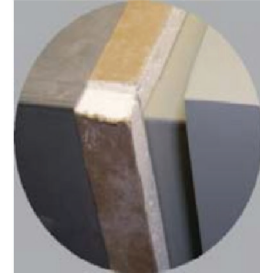
- 1" Turnback on Front
- Full Glass Panel (Glass Size 5" x 20")
- Grey Baked Enamel Finish
- Accommodates 10lb Dry Chemical Fire Extinguisher

### Options

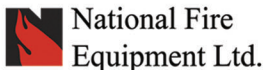
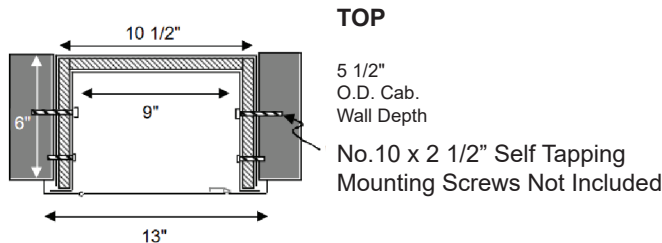
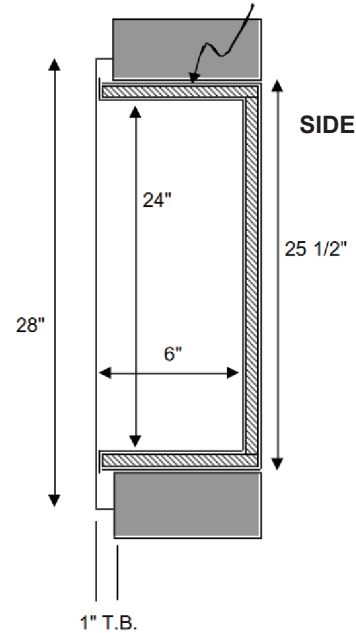
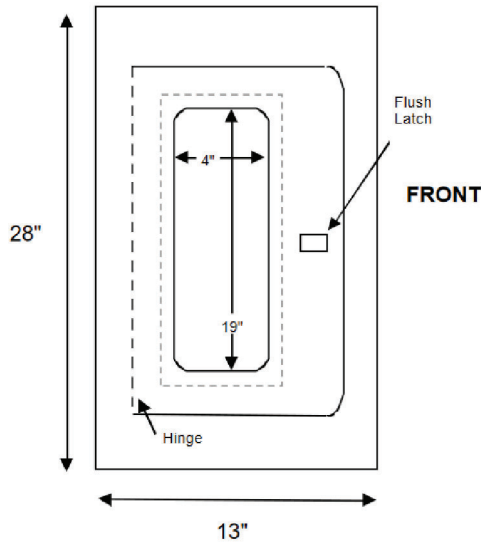
- Break Glass Door & Lock
- Cylinder Lock
- 304 Stainless Steel Front (Satin Finish) & Tub

### Rating:

Warnock Hersey International  
Test Report WHI-495-1534  
2 hour vertical fire rated assembly



↑ EXTERIOR TUB  
↑ TYPE X DRYWALL  
↑ CABINET



TORONTO: (905) 761-6355  
Toll Free: (800) 267-8508  
OTTAWA: (613) 723-6071

VANCOUVER: (604) 420-1131  
Toll Free: (800)-667-2138  
BURNABY: (604)-299-4498

EDMONTON: (780) 455-3870  
Toll Free: (888)-891-1008  
CALGARY: (403) 236-5661

MONCTON: (506) 859-7277  
Toll Free: (877) 816-3473  
MISSISSAUGA: (905) 565-1385

[www.nationalfire.com](http://www.nationalfire.com)



# National Fire Equipment Ltd.

**CE-950-3-2-FR - 9" w X 24" h X 6" d (2 3/4" Return)**

## Fire Rated Extinguisher Cabinet (Minimum - 4" Wall Depth)

### STANDARD CONSTRUCTION FEATURES

- 2 3/4" Turnback (Front Welded to Tub)
- Full Glass Door w/ Full Length Piano Hinge
- Glass Size 5" x 20" (Glass Opening 4" x 19")
- Grey Baked Enamel Finish
- Accommodates 10lb Dry Chemical Fire Extinguisher
- Stainless Steel Paddle Latch
- Satin Coat Galvanized Exterior Tub w/ Type Drywall Lining

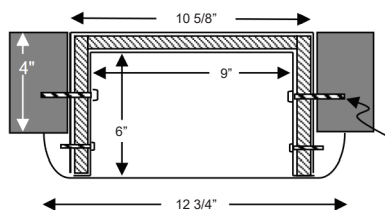
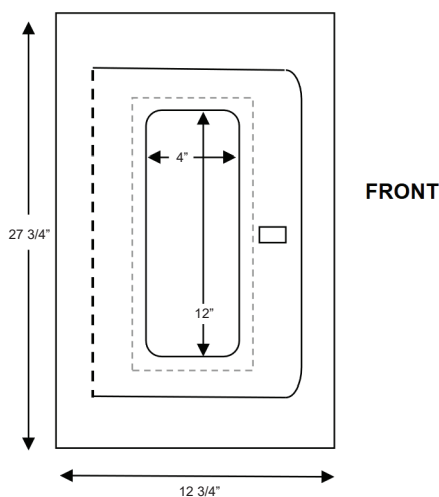
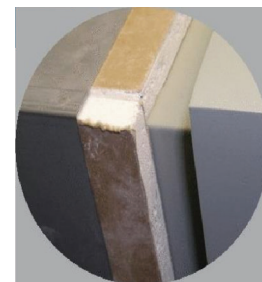
### Options

Warnock Hersey International  
Test Report WHI-495-1534  
2 hour vertical fire rated assembly

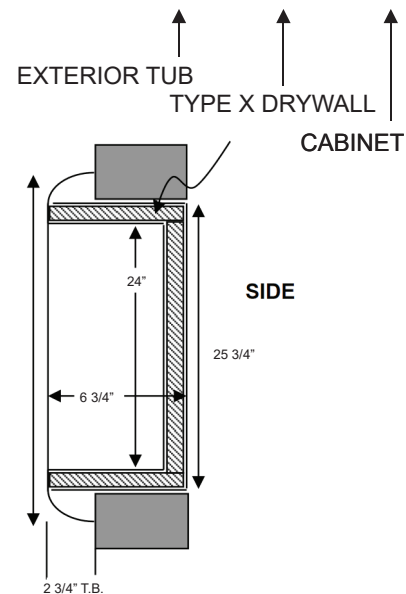


### Installation:

- Rough opening should be 1/4" larger than Exterior Tub (H x W)
- Installation Instructions are included with each cabinet



No. 10 x 2 1/2" Self Tapping  
Mounting Screws Not Included



**National Fire  
Equipment Ltd.**

TORONTO: (905) 761-6355  
Toll Free: (800) 267-8508

OTTAWA: (613) 723-6071

VANCOUVER: (604) 420-1131  
Toll Free: (800)-667-2138

BURNABY: (604)-299-4498

EDMONTON: (780) 455-3870  
Toll Free: (888)-891-1008

CALGARY: (403) 236-5661

MONCTON: (506) 859-7277  
Toll Free: (877) 816-3473

MISSISSAUGA: (905) 565-1385

[www.nationalfire.com](http://www.nationalfire.com)



# National Fire Equipment Ltd.

**CE-950-2-FG-FR - 10" w x 30" h x 8" d (1/2" Return)**

## Fire Rated Extinguisher Cabinet (Minimum - 8" Wall Depth)

### STANDARD CONSTRUCTION FEATURES

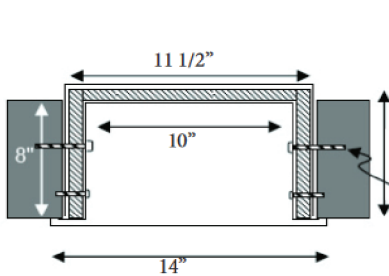
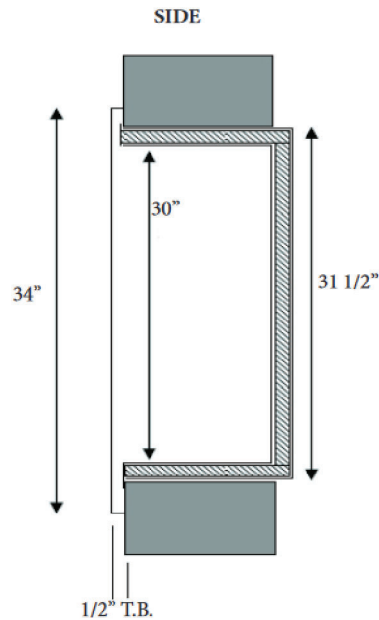
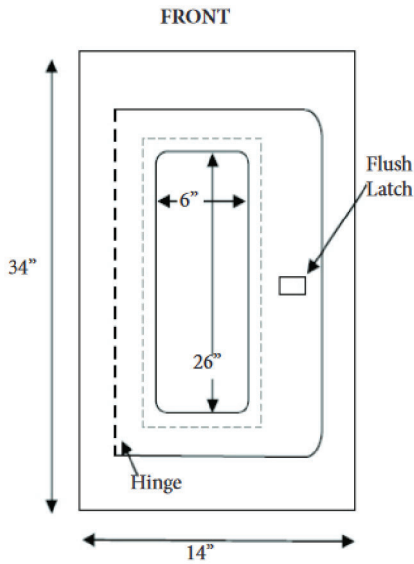
- 1/2" Turnback Adjustable Front
- Full Glass Panel
- Grey Baked Enamel Finish
- Accommodates 20lb Dry Chemical Fire Extinguisher

### Options

- Break Glass Door & Lock
- Cylinder Lock
- Stainless Steel Adjustable Front

### Rating:

- Warnock Hersey International
- Test Report WHI-495-1534
- 2 hour vertical fire rated assembly



### TOP

8 3/4"  
O.D Cab.

No.10 x 2 1/2" Self Tapping  
Mounting Screws Not Included



**National Fire  
Equipment Ltd.**

TORONTO: (905) 761-6355  
Toll Free: (800) 267-8508

OTTAWA: (613) 723-6071

VANCOUVER: (604) 420-1131  
Toll Free: (800)-667-2138

BURNABY: (604)-299-4498

EDMONTON: (780) 455-3870  
Toll Free: (888)-891-1008

CALGARY: (403) 236-5661

MONCTON: (506) 859-7277  
Toll Free: (877) 816-3473

MISSISSAUGA: (905) 565-1385

[www.nationalfire.com](http://www.nationalfire.com)



# National Fire Equipment Ltd.

**CE-950-1-FR - 14 1/2" w X 30" h X 4" d (Tub I.D.)**

## FIRE EXTINGUISHER CABINET FIRE RATED - 2" Radius TB Semi Recessed

### STANDARD CONSTRUCTION FEATURES

- 2" Rounded Turnback (Adjustable Angles on Front)
- Full Glass Bubble Canopy 16 ga. Door w/ Full Length Piano Hinge
- Glass Size 10 3/4" w x 26 3/4" h x 3" d (Glass Opening 8 1/2" x 25")
- White Powder Coat Paint Finish
- Accommodates: a) 20lb Dry Chemical Fire Extinguisher (Strike First Model: SF-ABC1020)
- b) 6L Class K (Strike First Model: SF-6LK)
- c) 2.4 Gal. Pressure Water (Strike First Model: SF-PW250)
- Stainless Steel Paddle Latch
- Satin Coat Galvanized Exterior 22 ga. Tub w/ UL Type X Drywall Lining

### Rating:

Warnock Hersey International  
Test Report WHI-495-1534  
2 hour vertical fire rated assembly

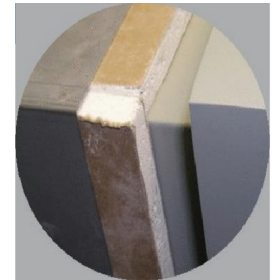


### Installation:

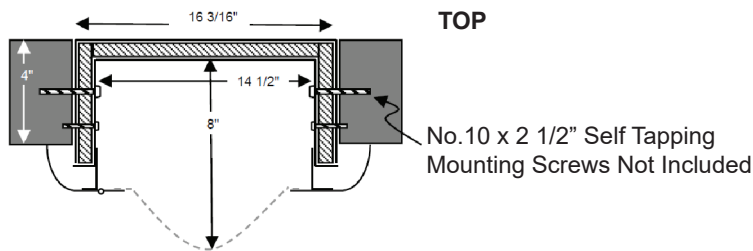
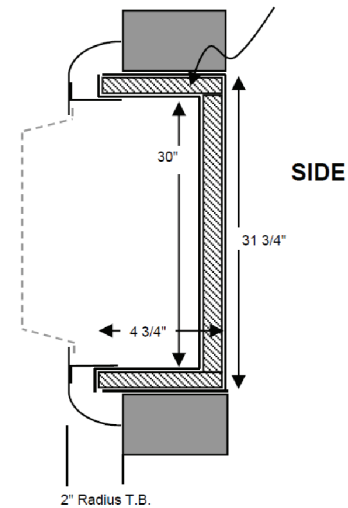
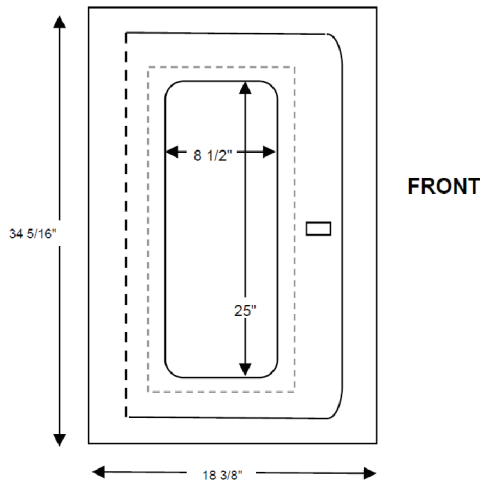
- Min. Rough opening: 16 1/2" w X 32" h X 4" d
- 4" wall depth required
- Installation Instructions are included with each cabinet



\*1" Turnback shown in picture



↑ EXTERIOR TUB  
↑ TYPE X DRYWALL  
↑ CABINET



**National Fire  
Equipment Ltd.**

TORONTO: (905) 761-6355  
Toll Free: (800) 267-8508

OTTAWA: (613) 723-6071

VANCOUVER: (604) 420-1131  
Toll Free: (800)-667-2138

BURNABY: (604)-299-4498

EDMONTON: (780) 455-3870  
Toll Free: (888)-891-1008

CALGARY: (403) 236-5661

MONCTON: (506) 859-7277  
Toll Free: (877) 816-3473

MISSISSAUGA: (905) 565-1385

[www.nationalfire.com](http://www.nationalfire.com)